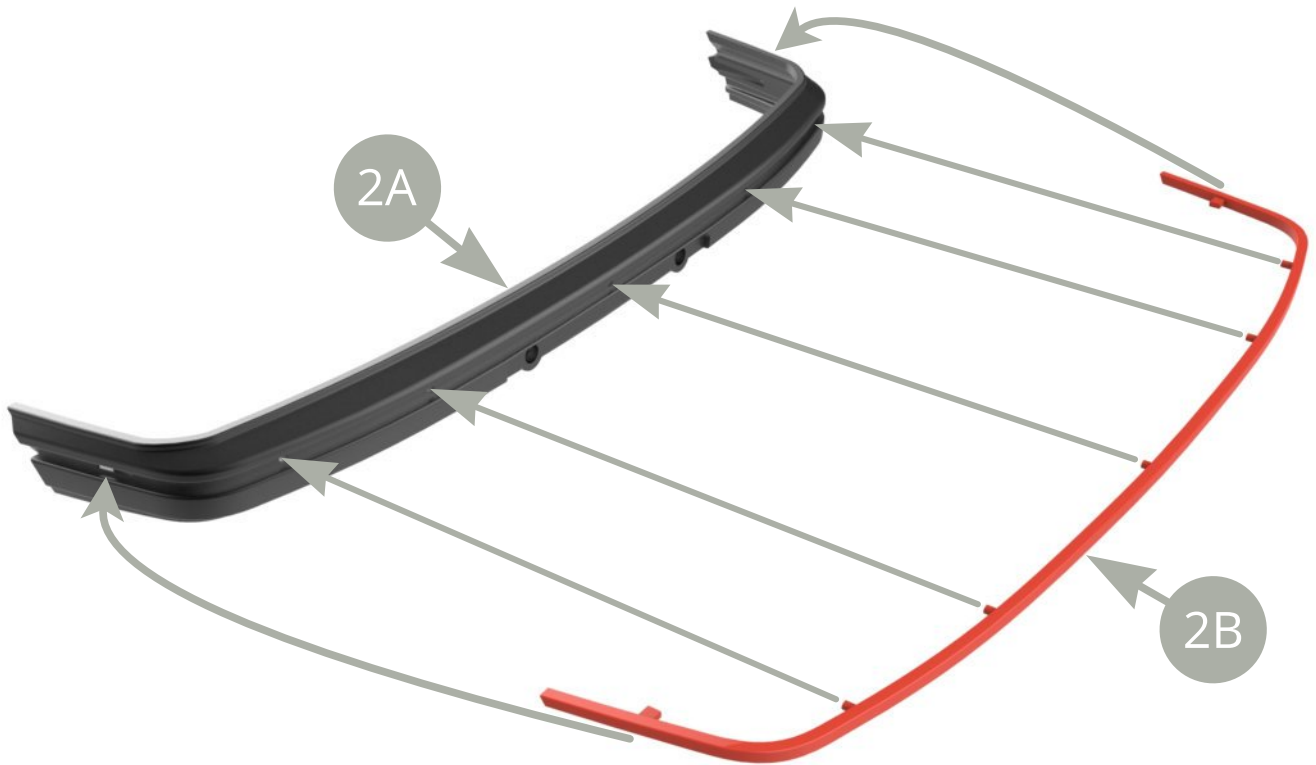


- 2A Front bumper
- 2B Front bumper trim
- 2C Front license plate
- 2D Steering wheel
- 2E Steering wheel cover
- 2F Steering wheel shaft
- 2G Universal joint cross

AP M1,7 x4mm (x3)

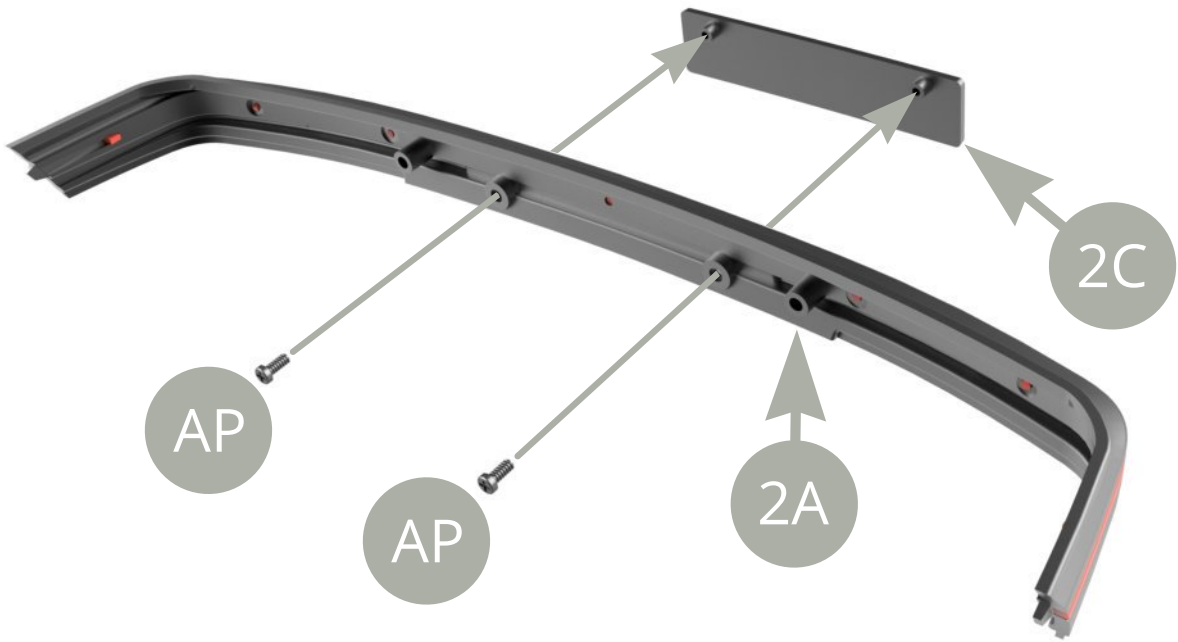
AM M1,7 x3mm (x4)



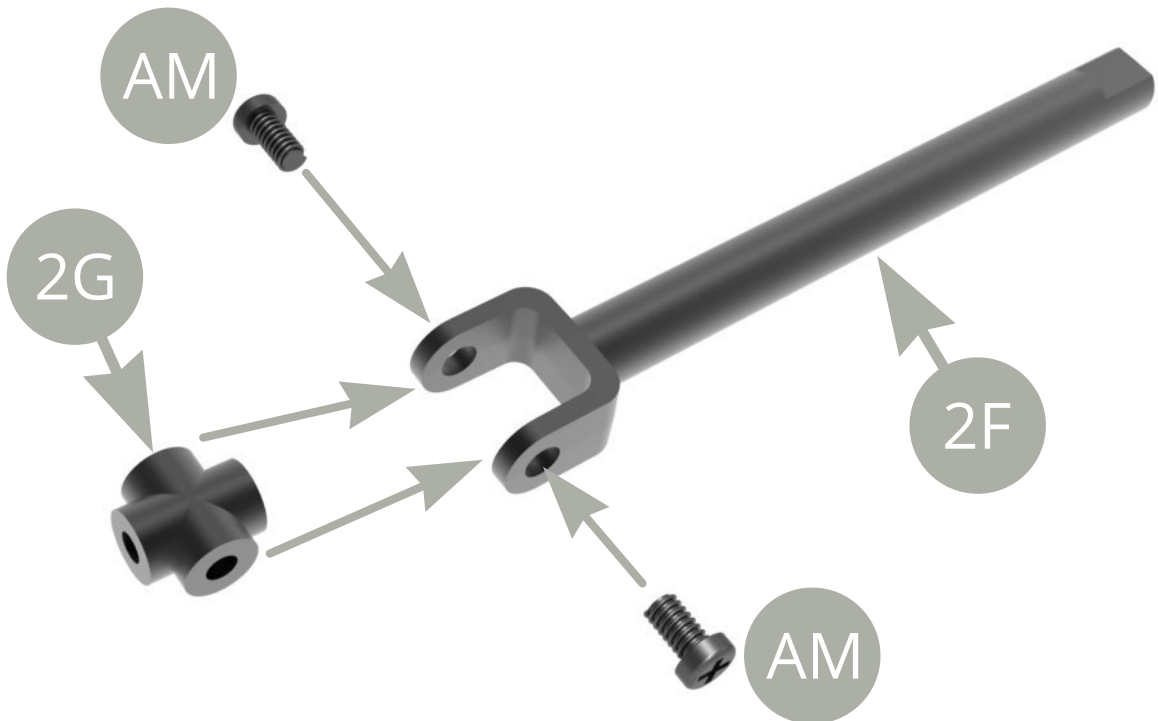
Fit **2B Front bumper trim** to **2A Front bumper** .



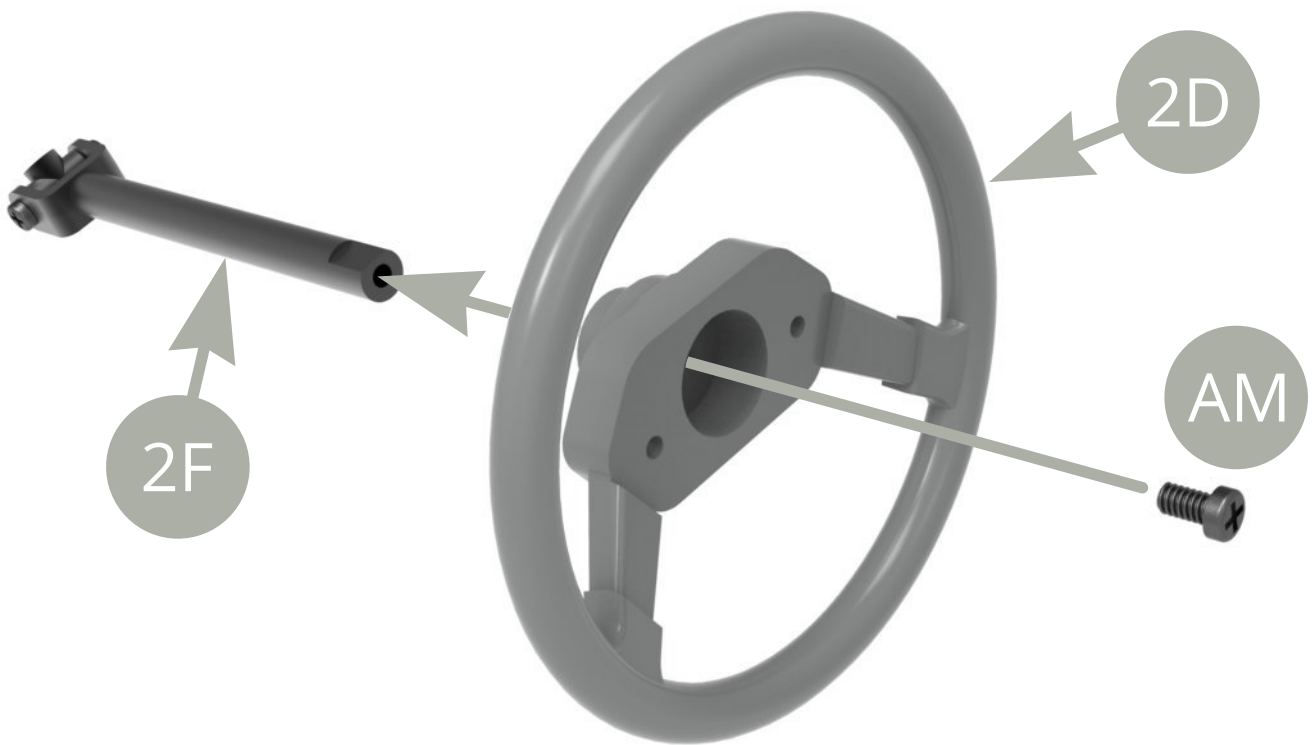
Mind **2B Front bumper trim** slanted edge orientation to coincide with **2A Front bumper** edge slant .



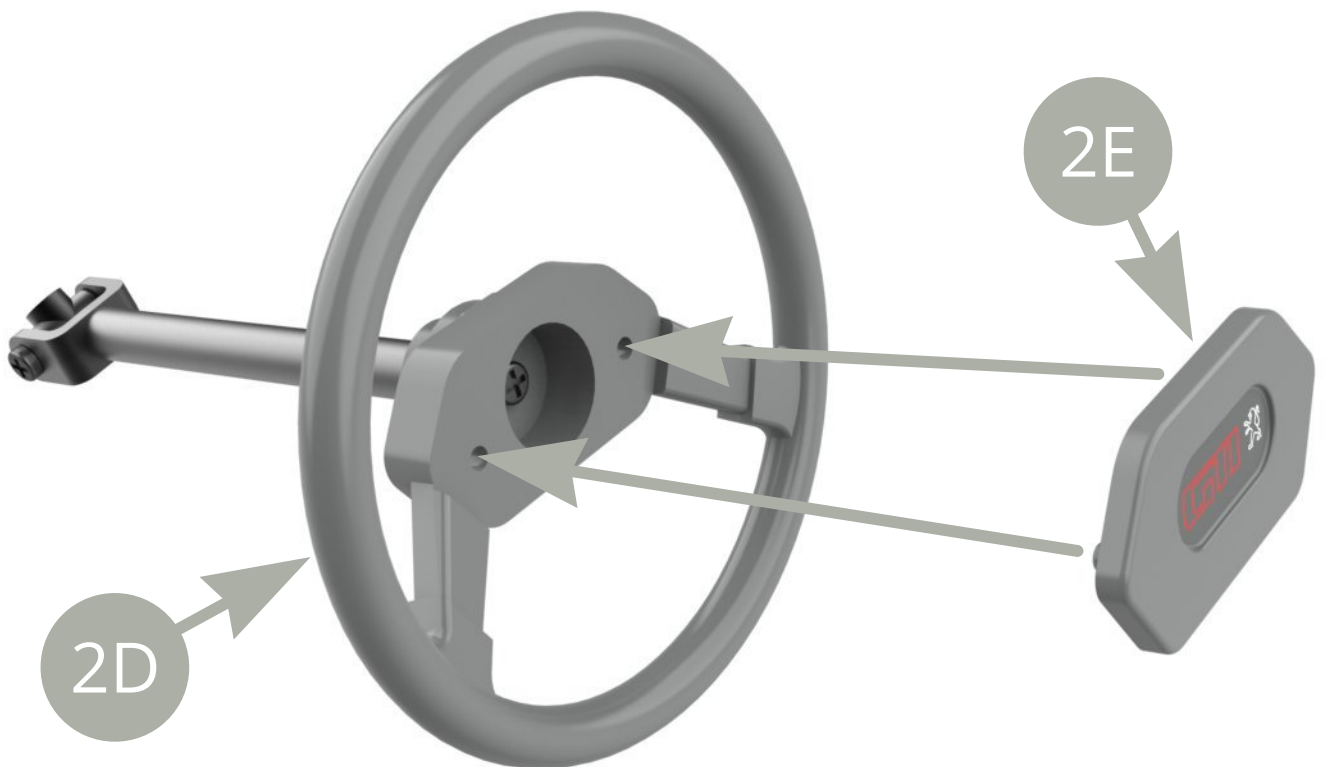
Fit **2C Front license plate** to **2A Front bumper** and fix with two **AP screws** .



Fit **2G Universal joint cross** to **2F Steering wheel shaft** fork end , and fix with two **AM screws** .



Fit **2D Steering wheel** to **2F Steering wheel shaft** and fix with **AM screw** .



Fit **2E Steering wheel cover** to **2D Steering wheel**



Final views



Assembly drawings

