

5A Oil sump

5B Bracket

5C Spacer plate

5D Bottom Gearbox housing

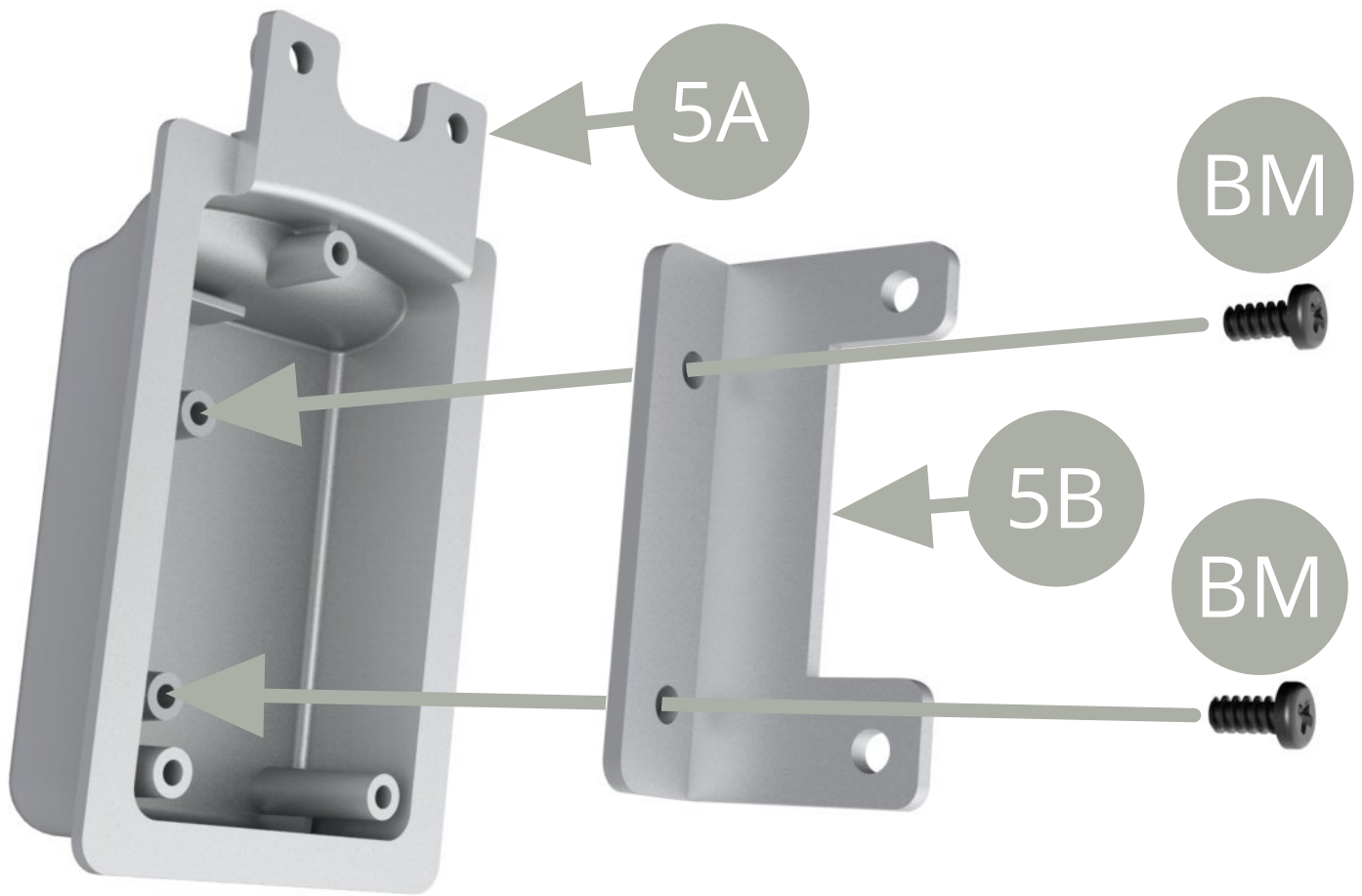
5E Rear cover

5F Top Gearbox housing

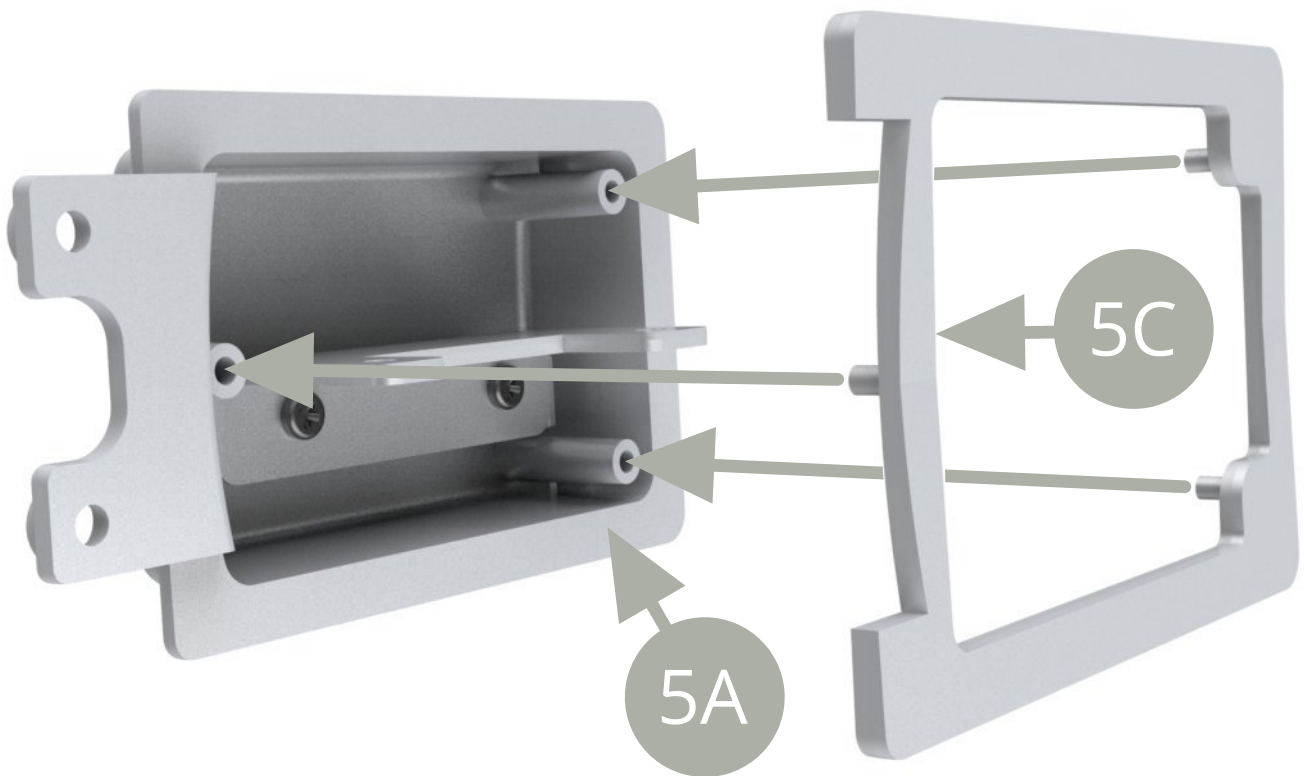
5G Bracket

5H Mount plate

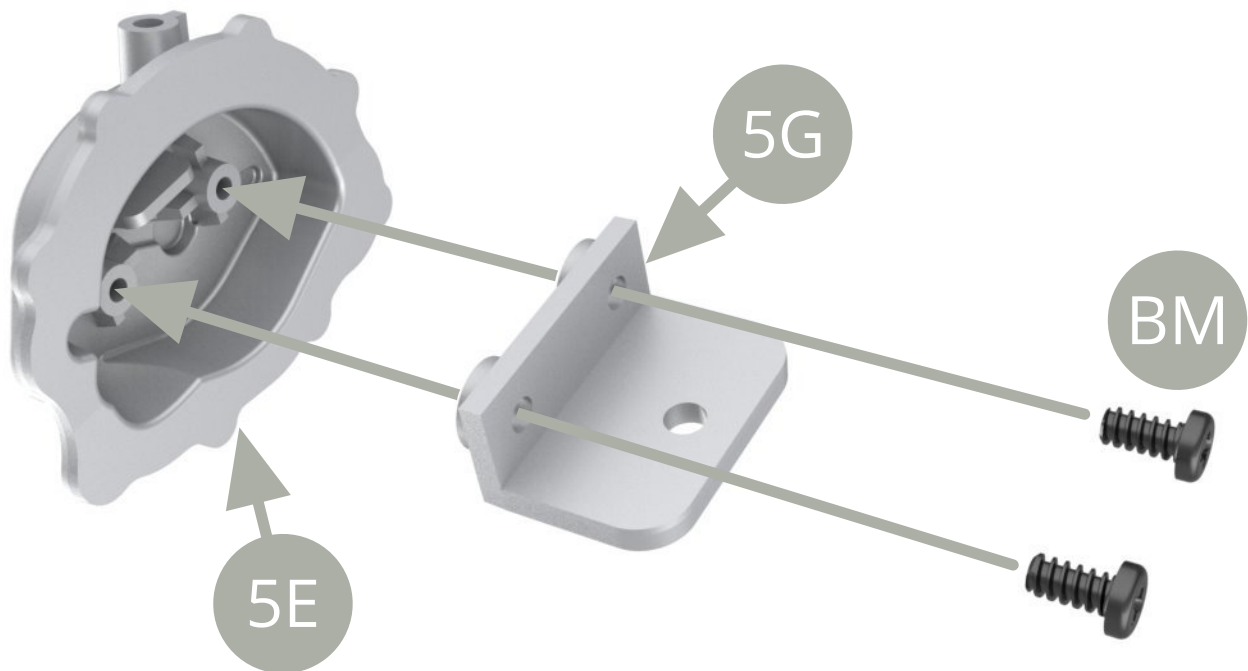
BM M2,0 x4mm ( x12 )



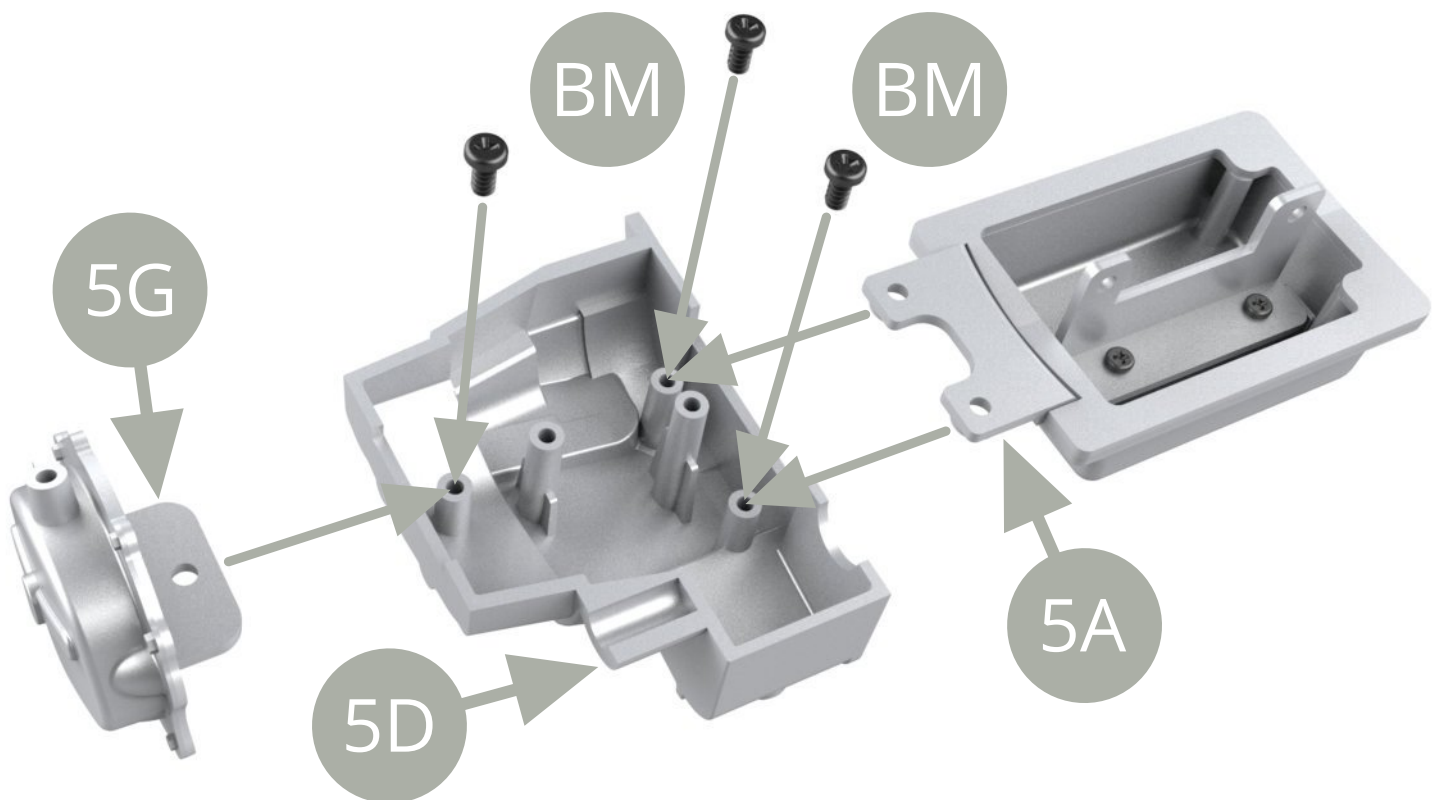
Fit **5B Bracket** to **5A Oil sump** and fix with two **BM screws** .



Fit **5C Spacer plate** to **5A Oil sump** .

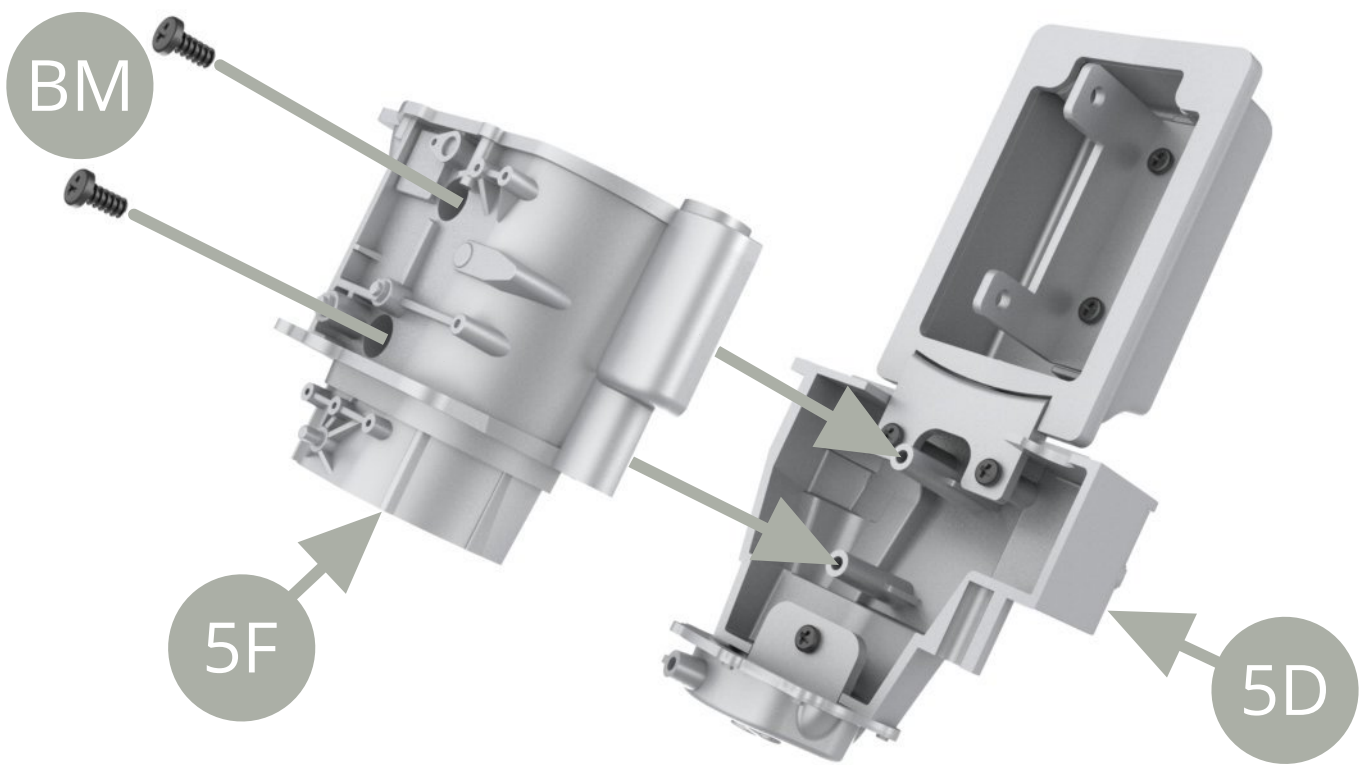


Fit **5G Bracket** to **5E rear cover** and fix with two **BM screws** .

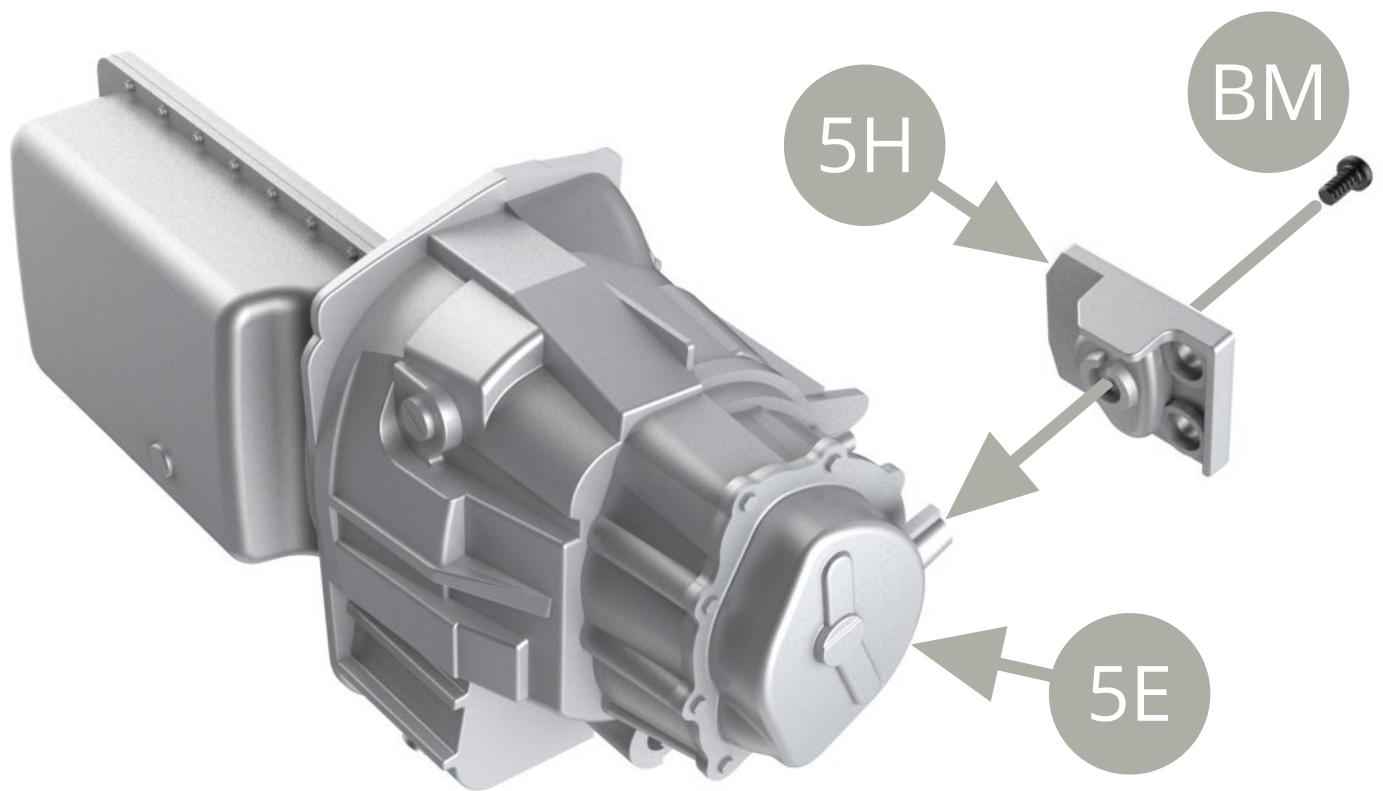


Fit **5A Oil sump** to **5D Bottom Gearbox housing** and fix with two **BM screws** .

Fit **5G Bracket** to **5D Bottom Gearbox housing** and fix with **BM screw** .

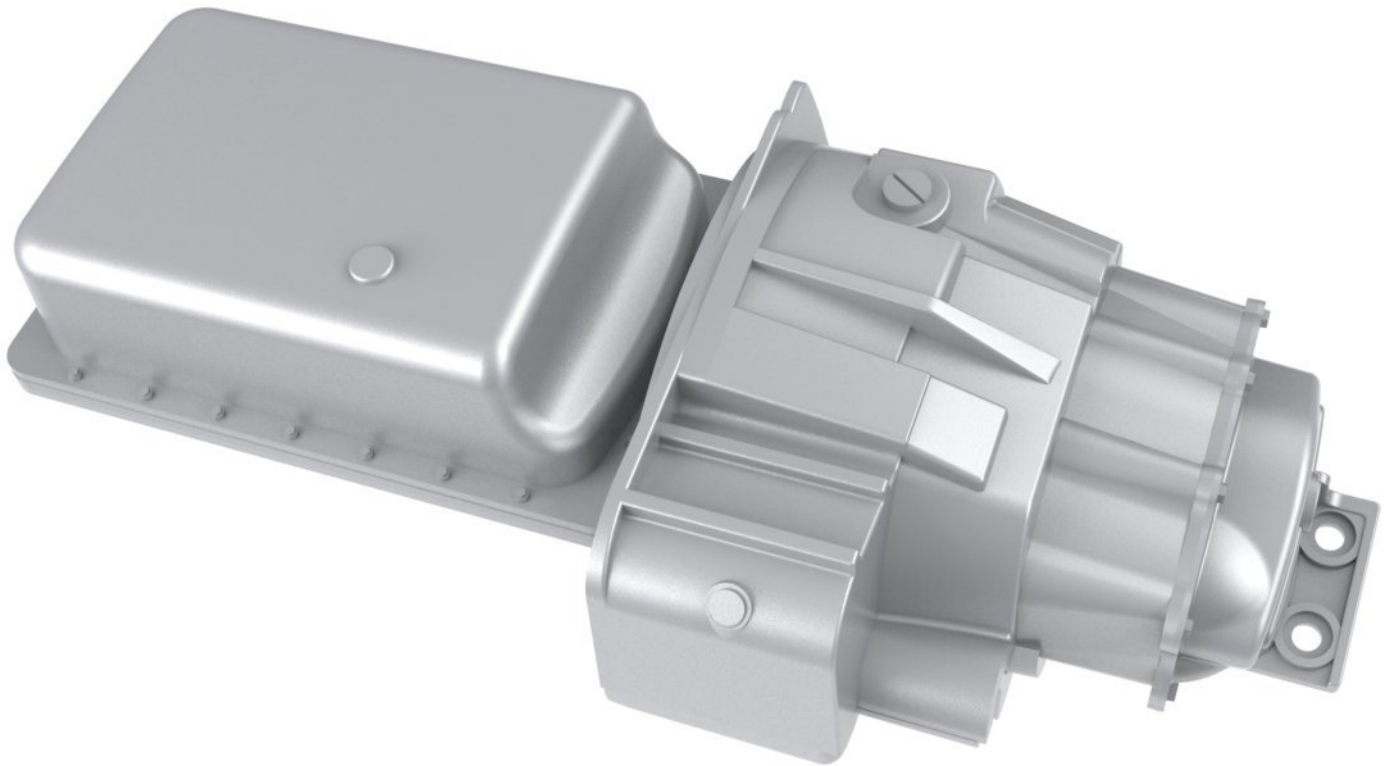
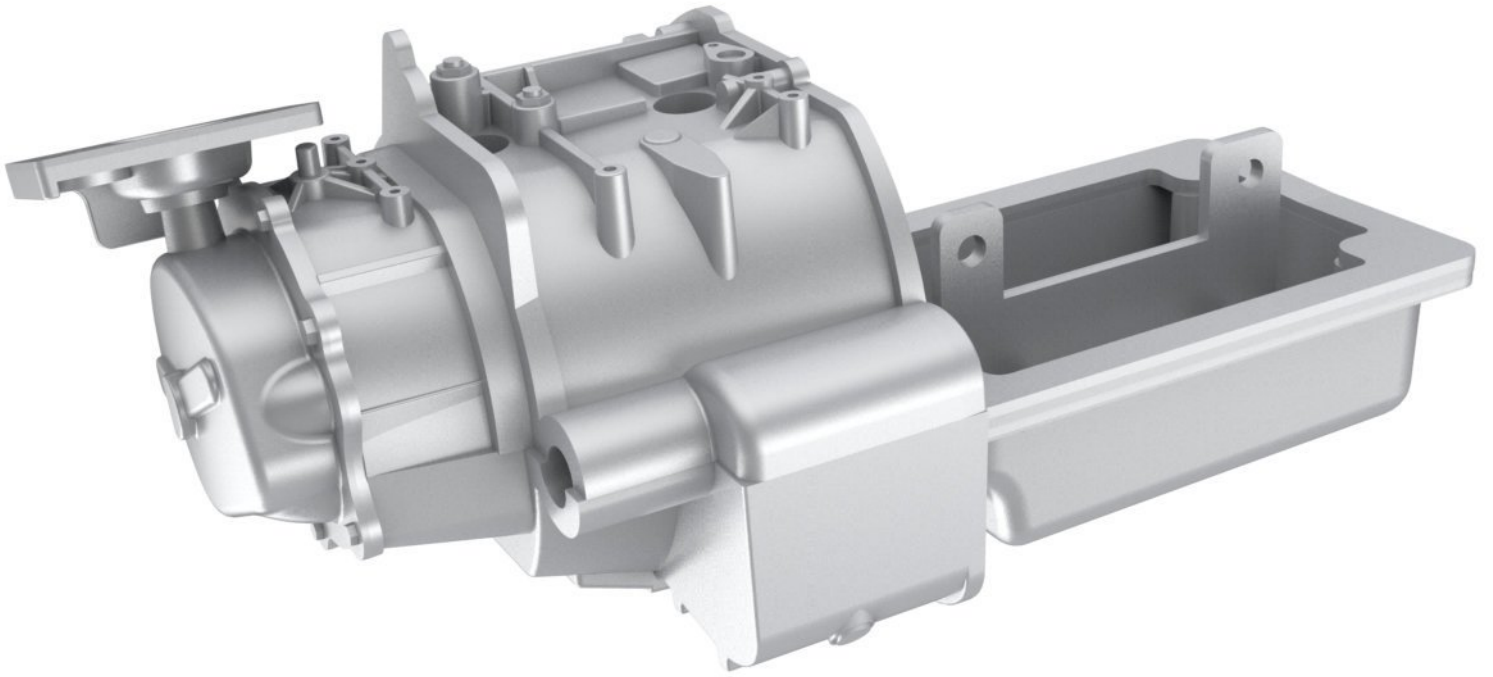


Fit **5F Top Gearbox housing** to **5D Bottom Gearbox housing** and fix with two **BM screws** .



Fit **5H Mount plate** to **5E Rear cover** and fix with **BM screw** .

Final views .



Assembly drawing .

