

7A Intake manifold

7B Oil filler housing

7C Vacuum hose (x2)

7D Oil breather hose

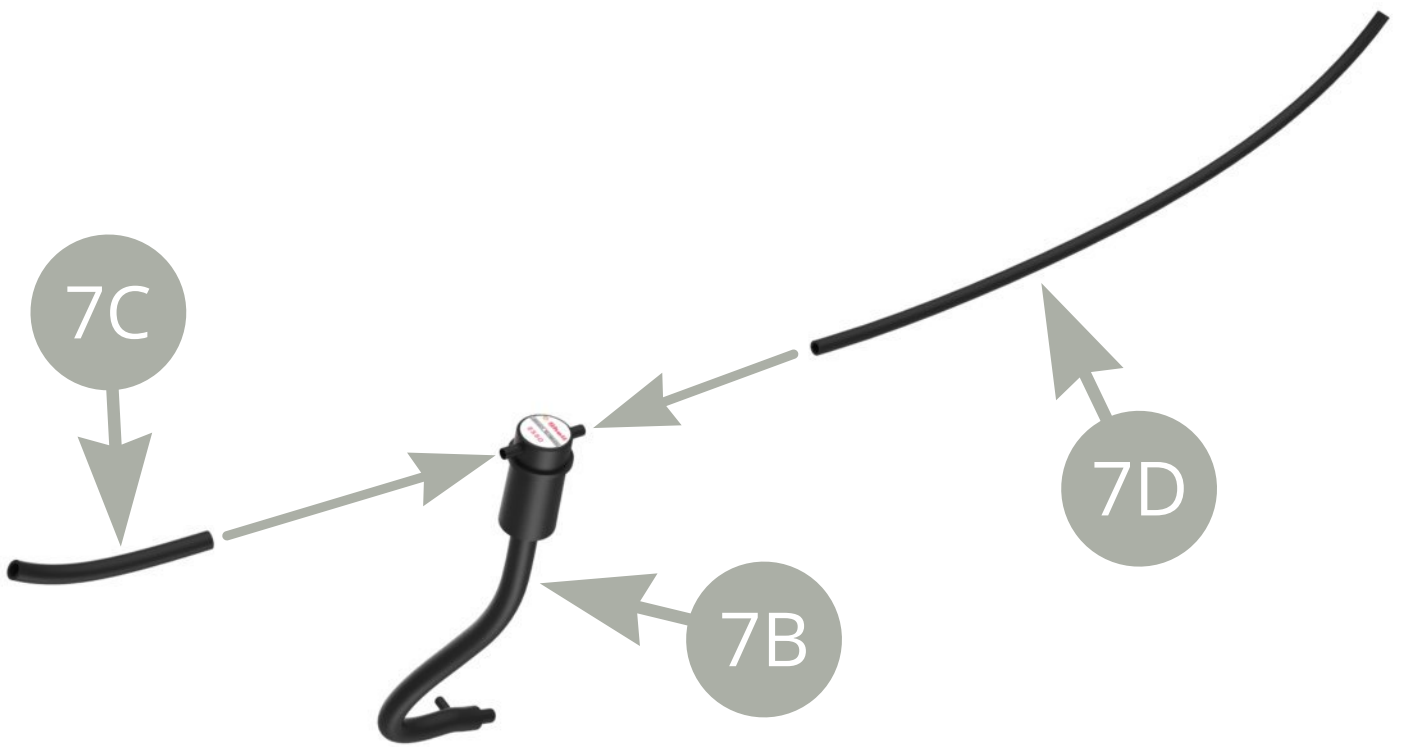
7E Fuel injection feed rail

7F Gas hose bracket

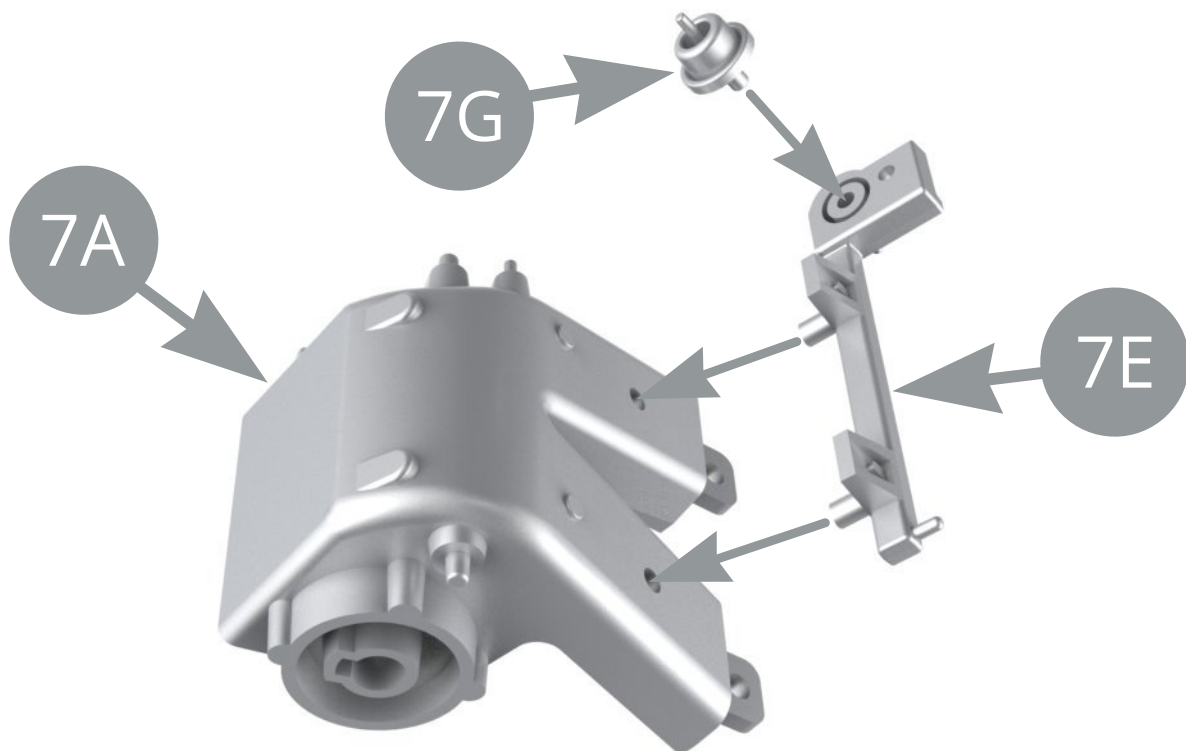
7G Fuel pressure regulator

7H Fuel injector (x4)

BM M2,0 x4mm (x3)

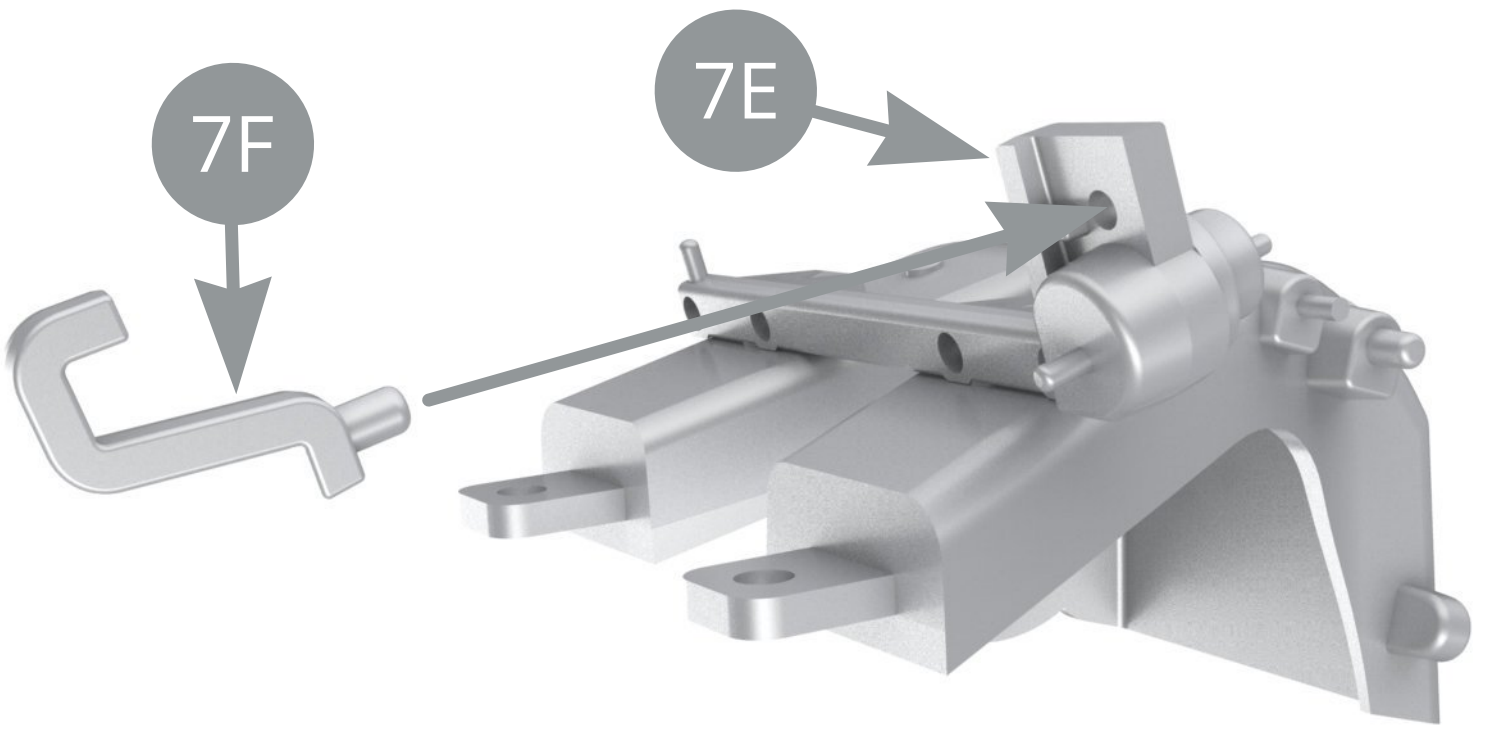


Fit **7C Vacuum hose** and **7D Oil breather hose** to **7B Oil filler housing** .

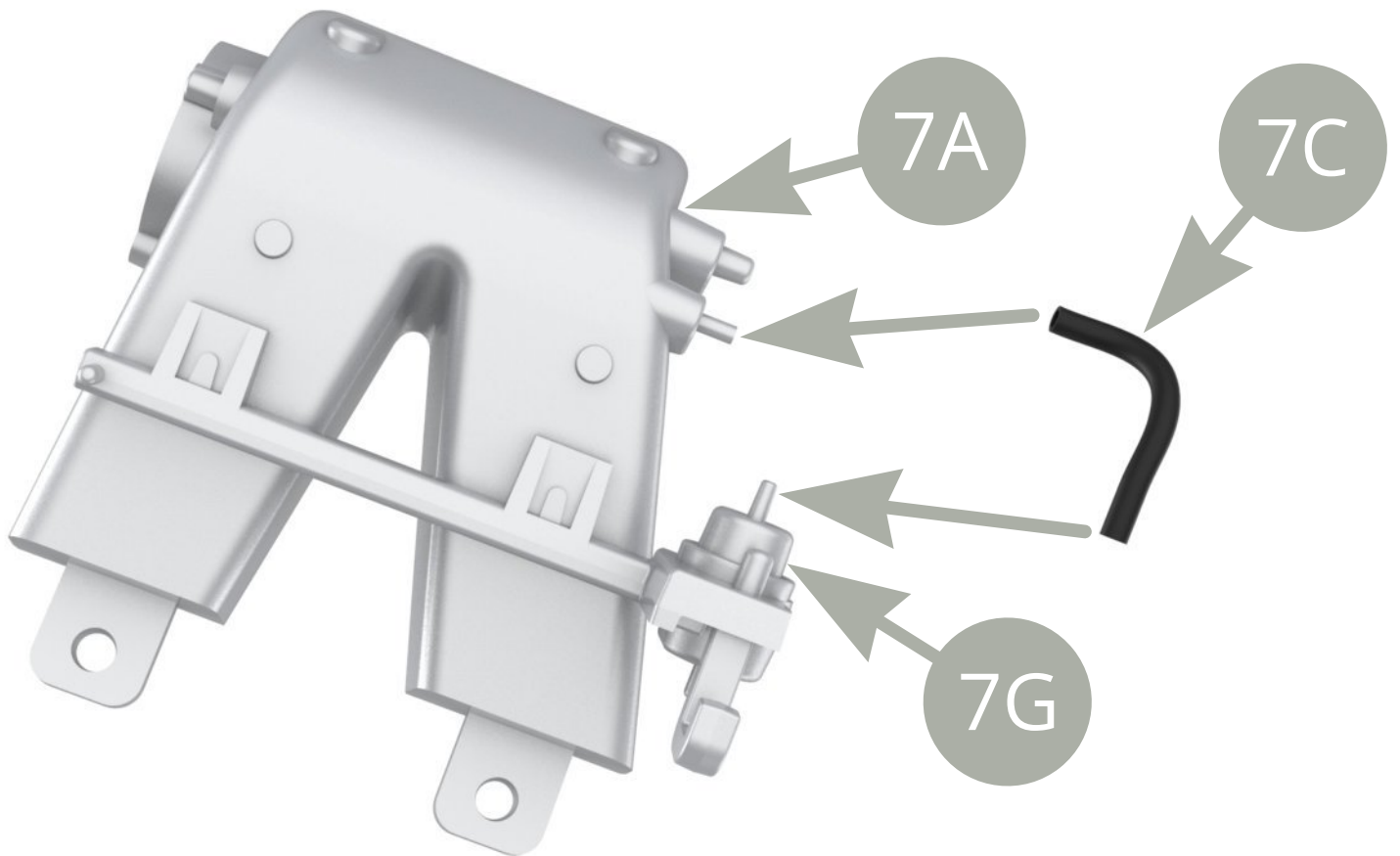


Fit **7G Fuel pressure regulator** to **7E Fuel injection feed rail** .

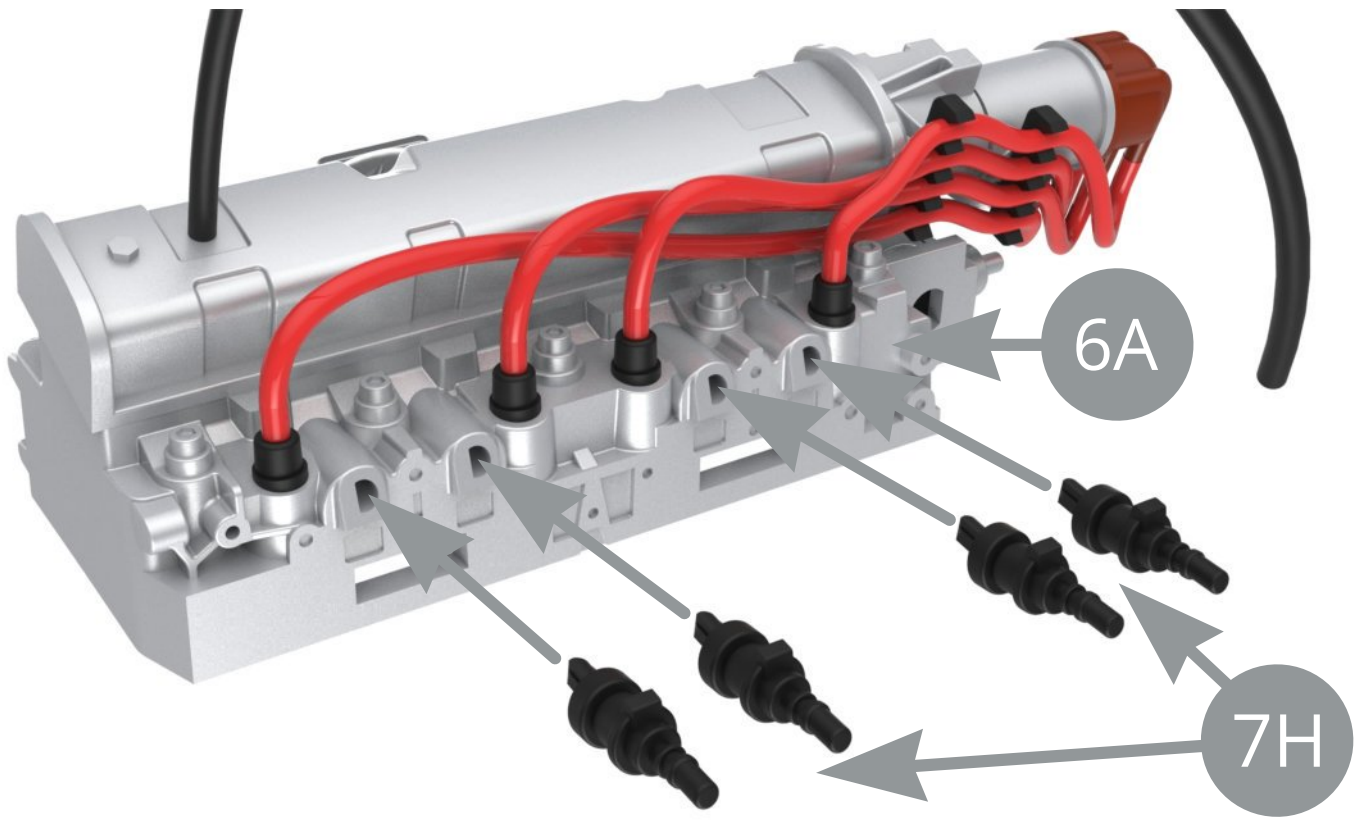
Fit **7E Fuel injection feed rail** to **7A Intake manifold** .



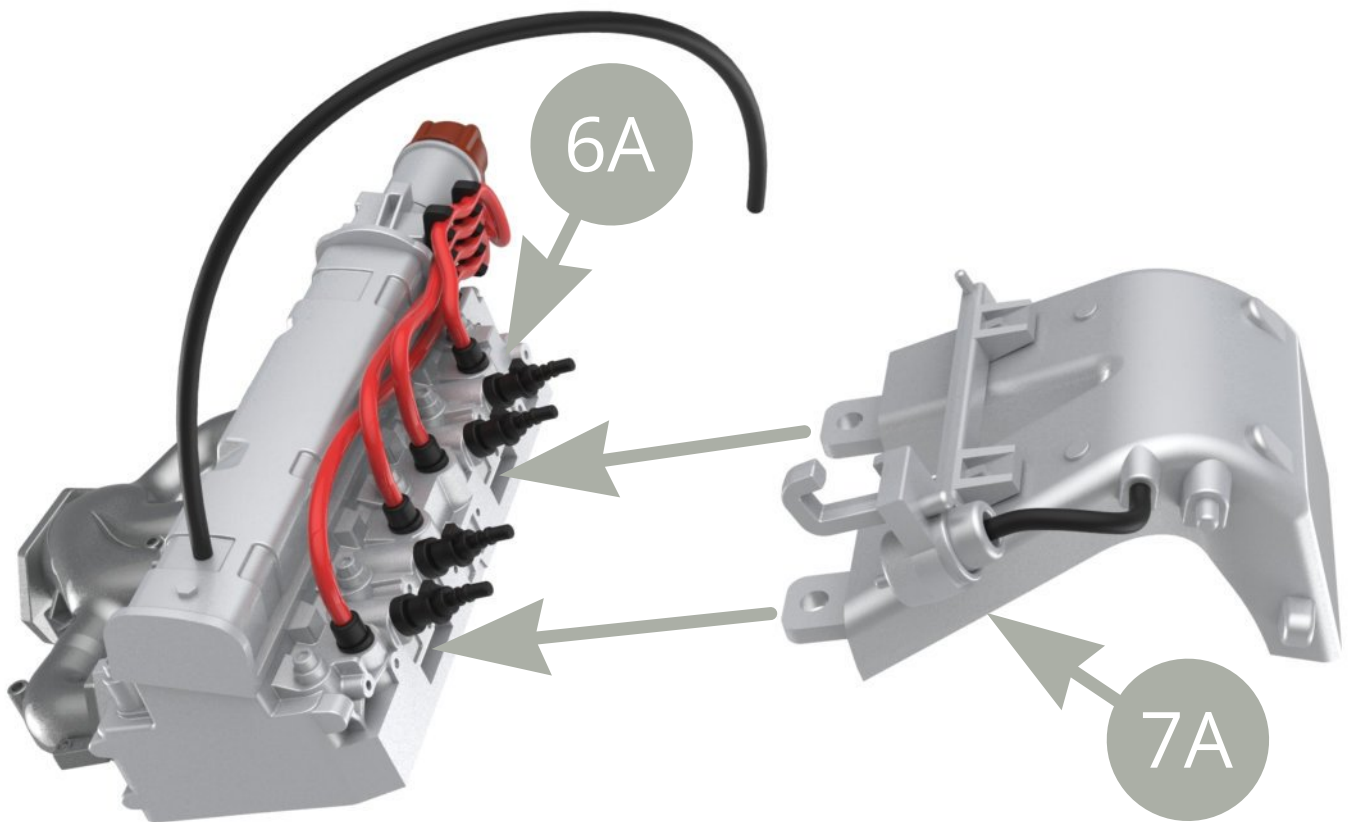
Fit **7F Gas hose bracket** to **7E Fuel injection feed rail** .



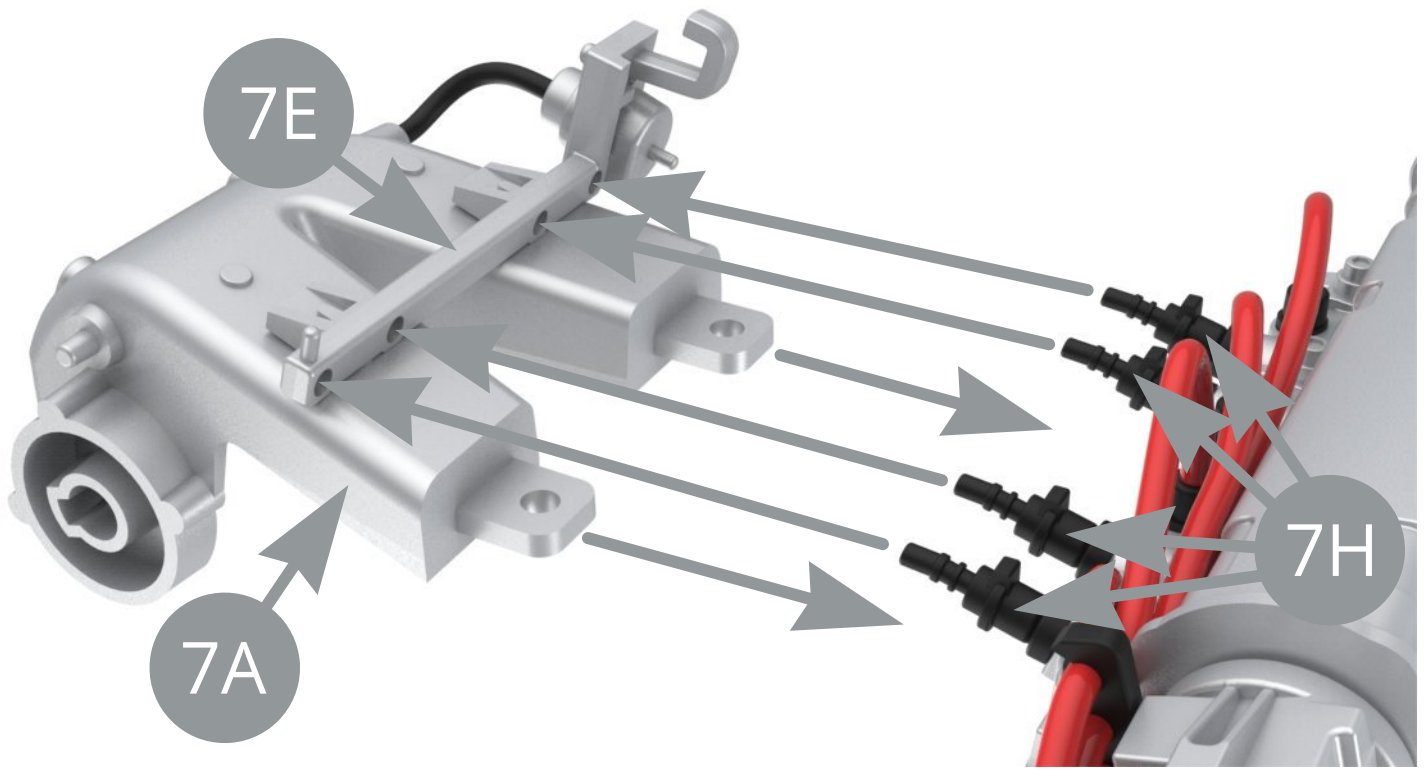
Fit **7C Vacuum hose** to **7G Fuel pressure regulator**
and **7A Intake manifold** nozzles .



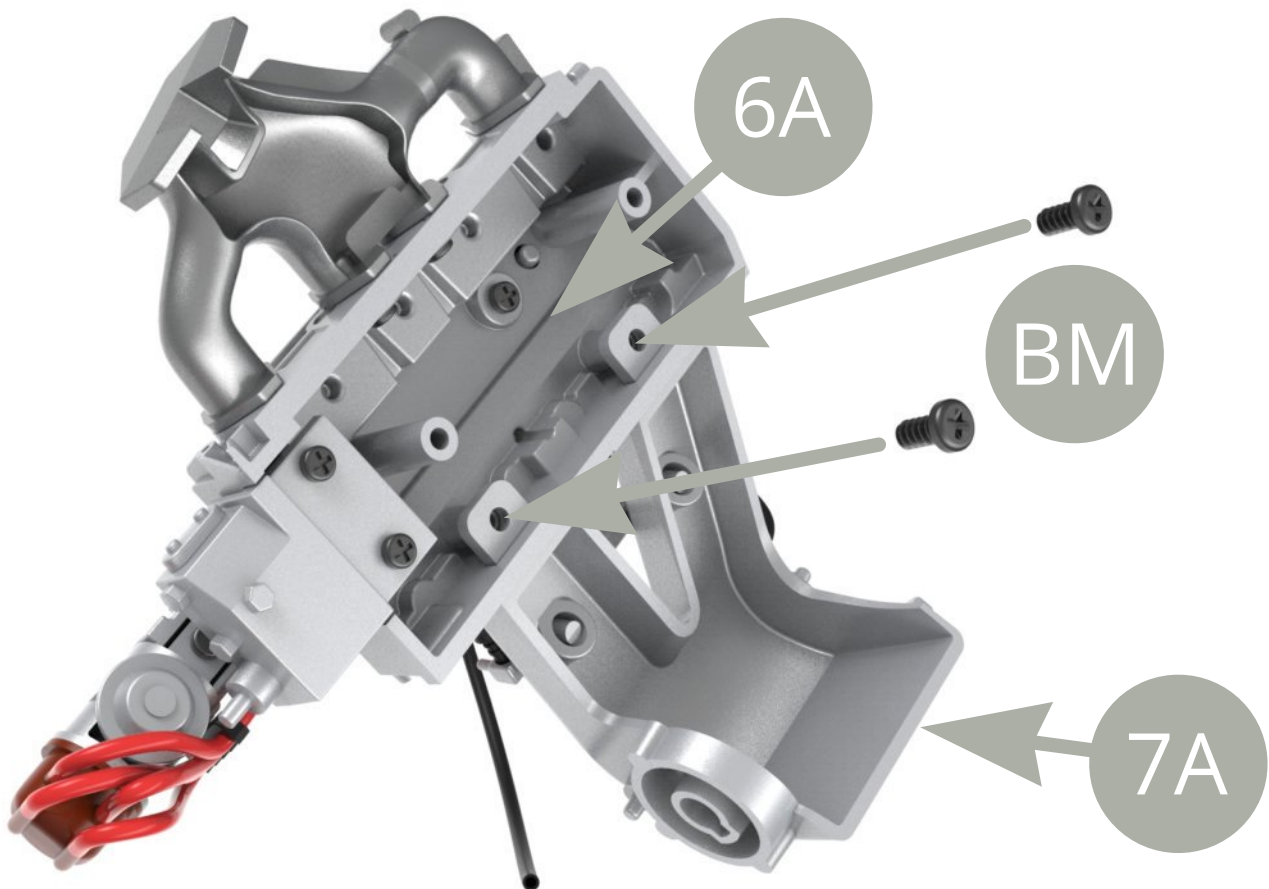
Fit four **7H Fuel injectors** to **6A Cylinder head** .



Start fitting **7A Intake manifold** to **6A Cylinder head** . At the same time (**continued on next page**)

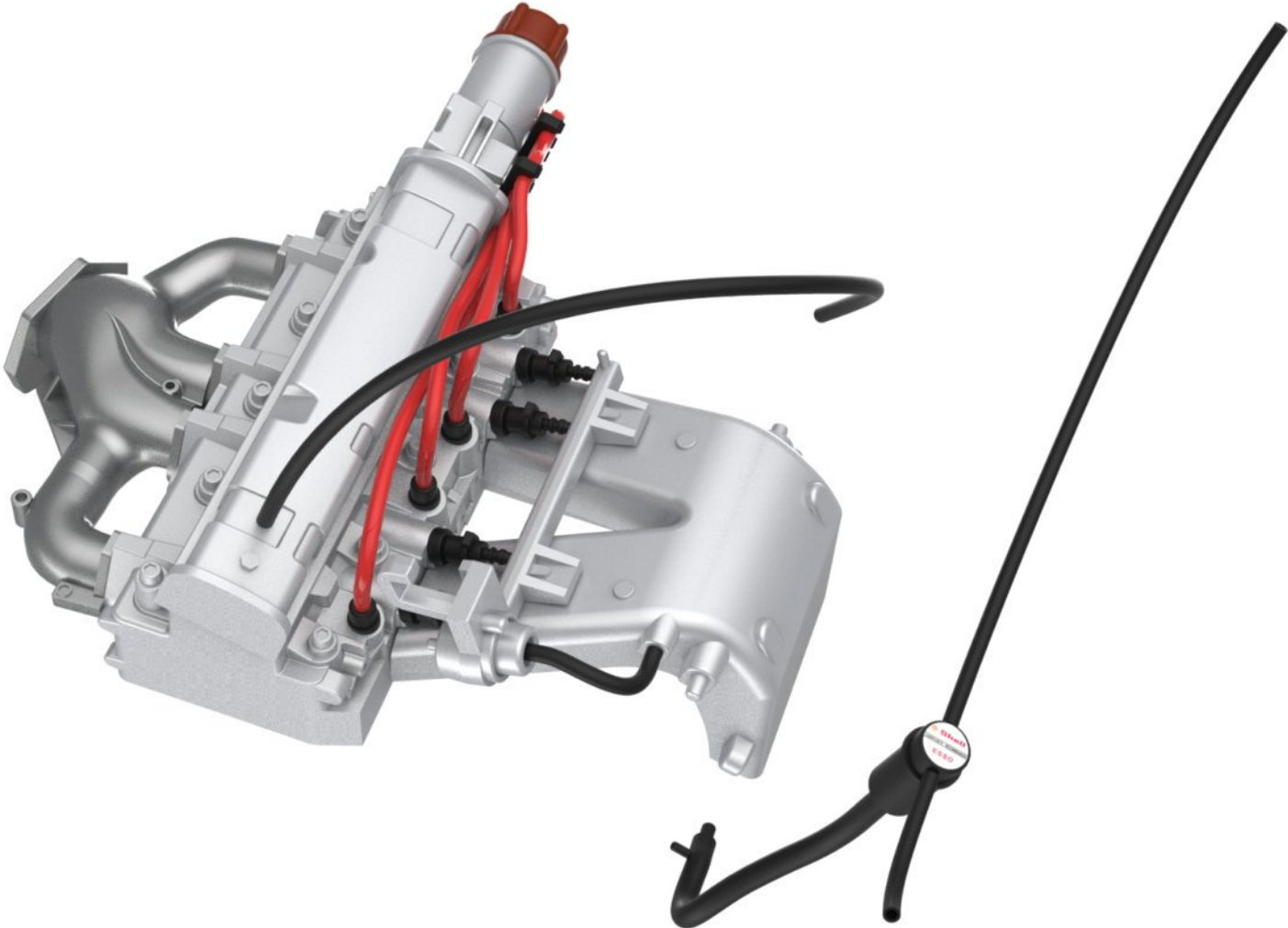
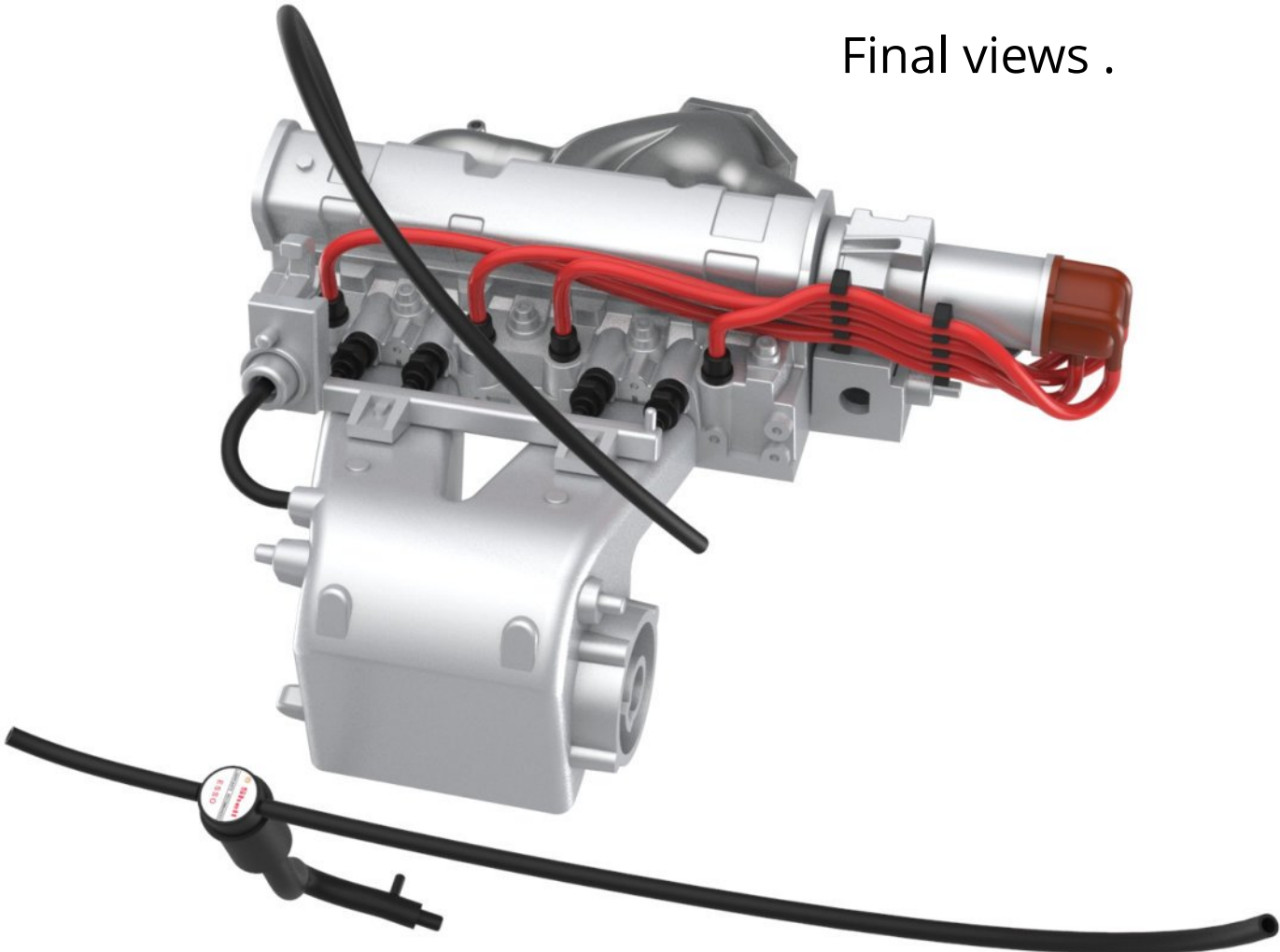


aim four **7H Fuel injectors** to enter in their respective sockets on **7E Fuel injection feed rail** .



Fix connected **7A Intake manifold** and **6A Cylinder head** with two **BM screws** .

Final views .



Assembly drawings .

