

9A Alternator bracket 1

9B Alternator housing

9C Alternator fan

9D Axle sheave

9E Sheave cheek

9F Alternator bracket 2

9G Timing belt cover

9H Crankshaft sheave

9I Sheave cheek

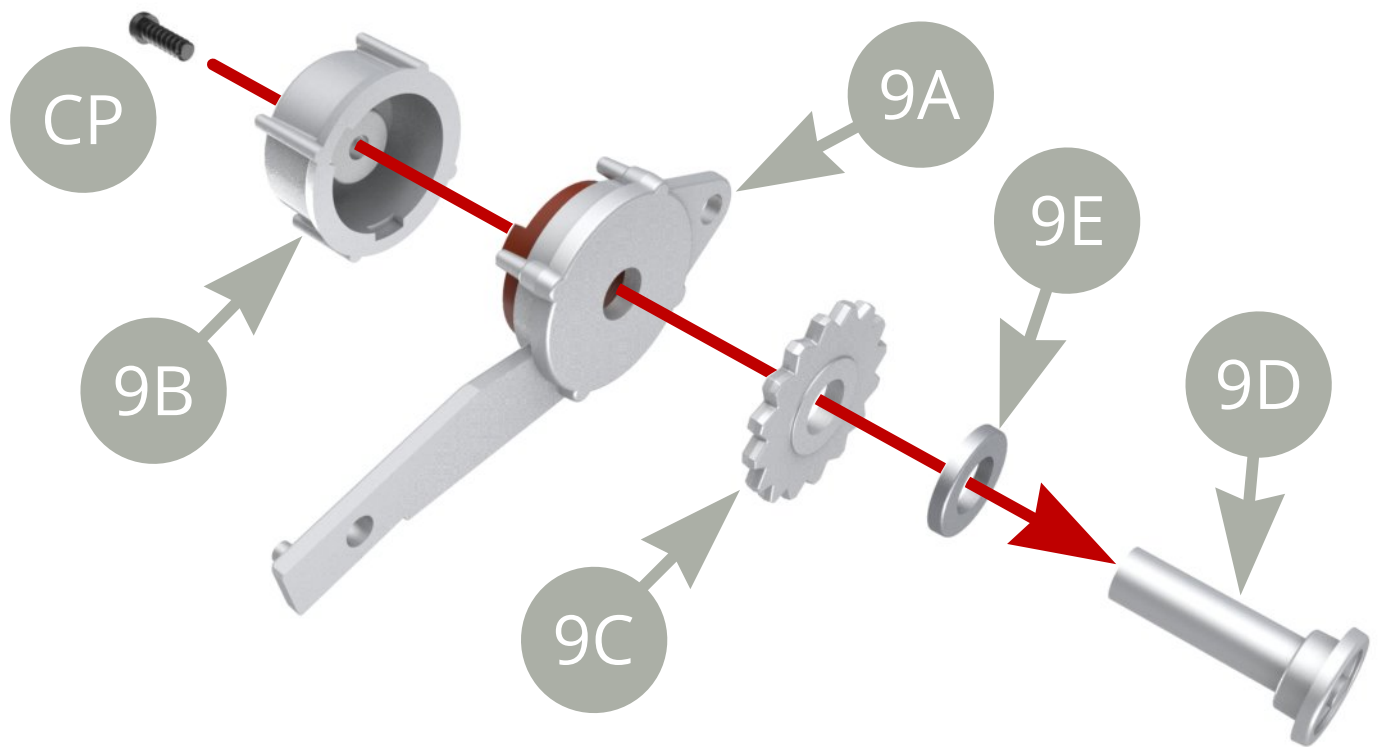
9J Engine mount

9K Alternator belt

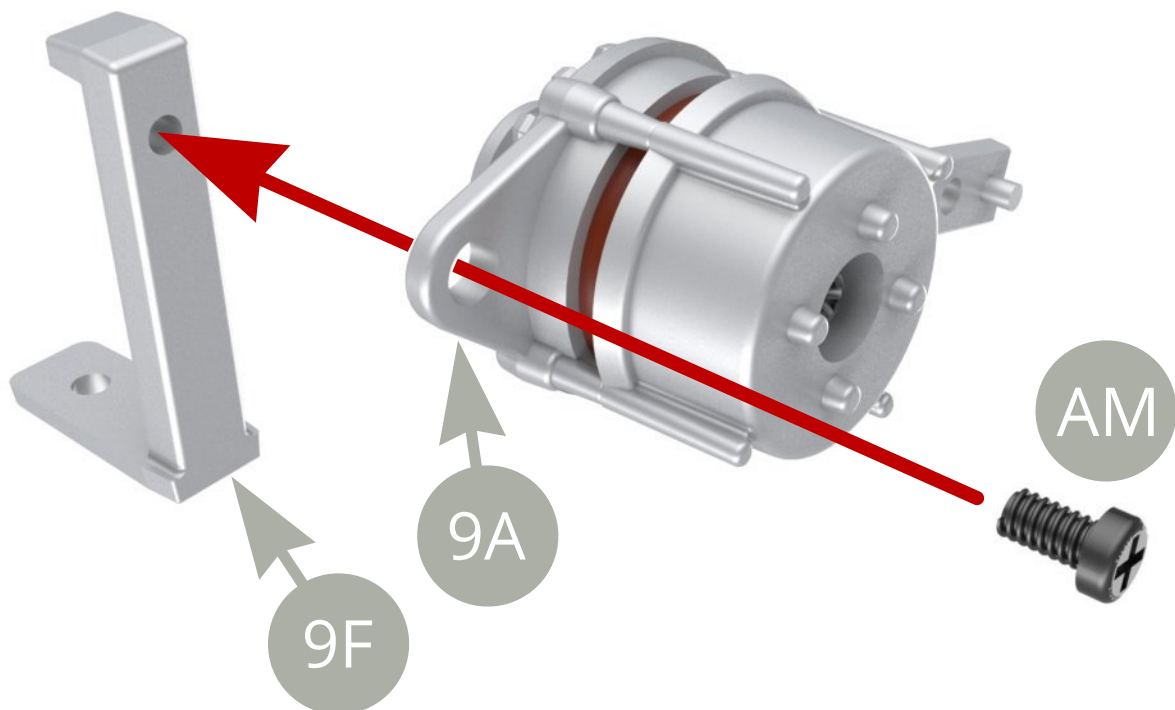
AM M1,7 x3mm (x9)

BM M2,0 x4mm (x2)

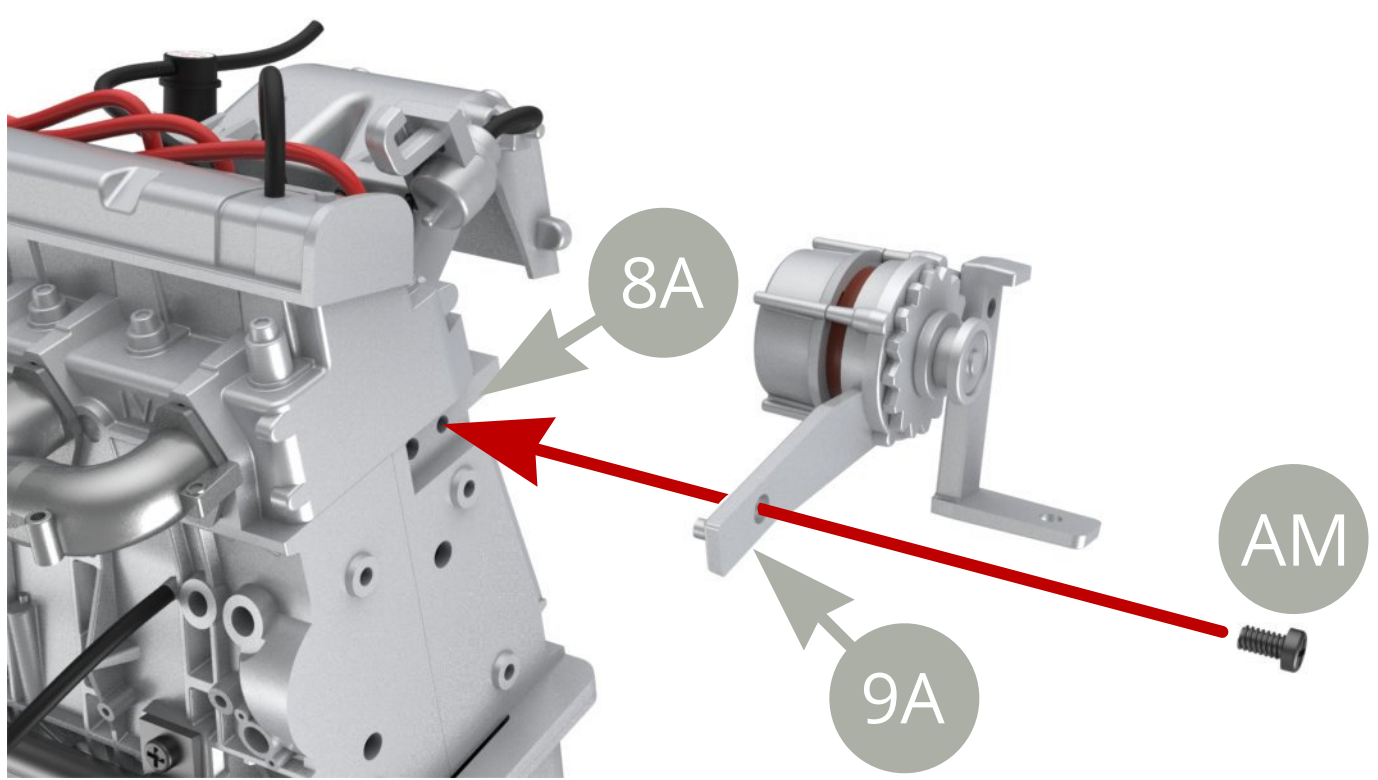
CP M1,7 x5mm (x2)



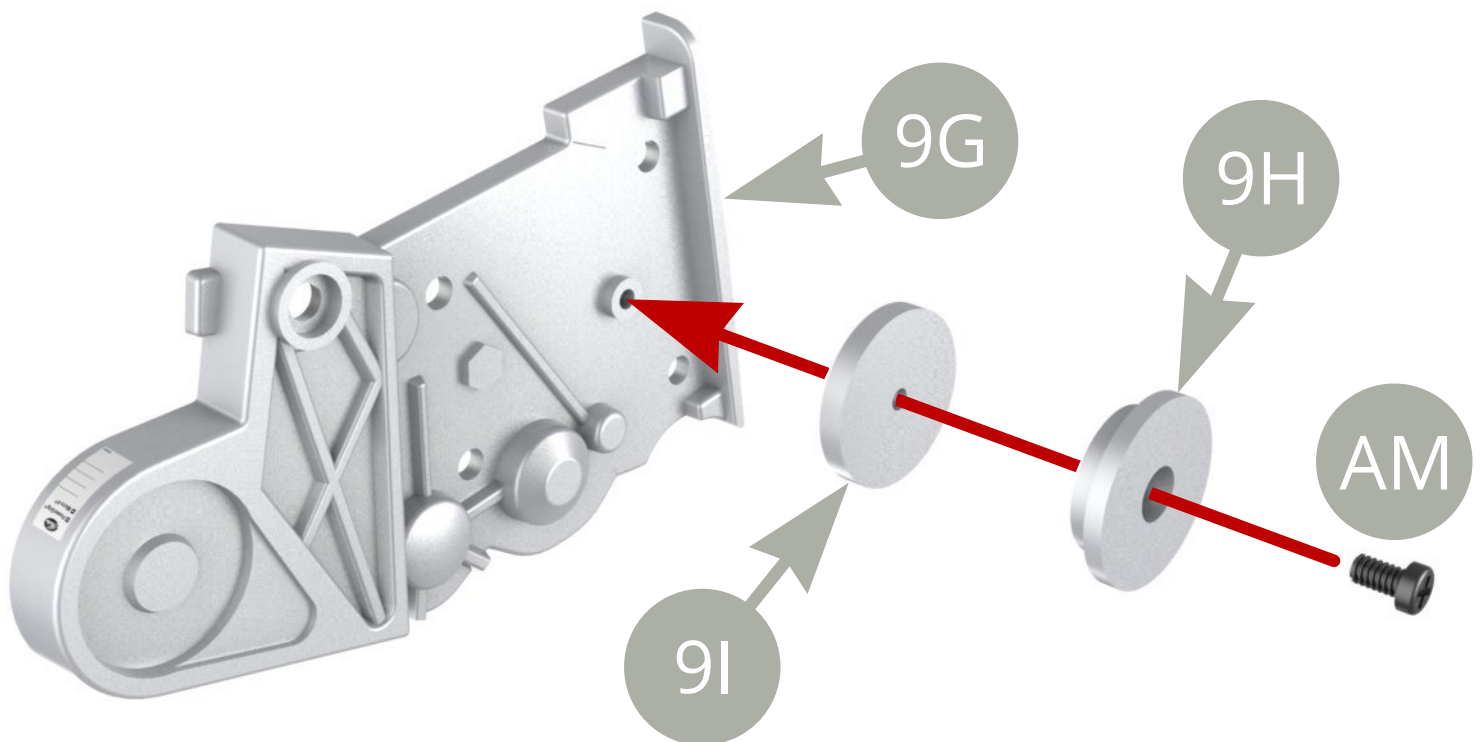
Fit consecutively **9E Sheave cheek** , **9C Alternator fan** , **9A Alternator bracket 1** and **9B Alternator housing** on **9D Axle sheave** and fix with **CP screw** .



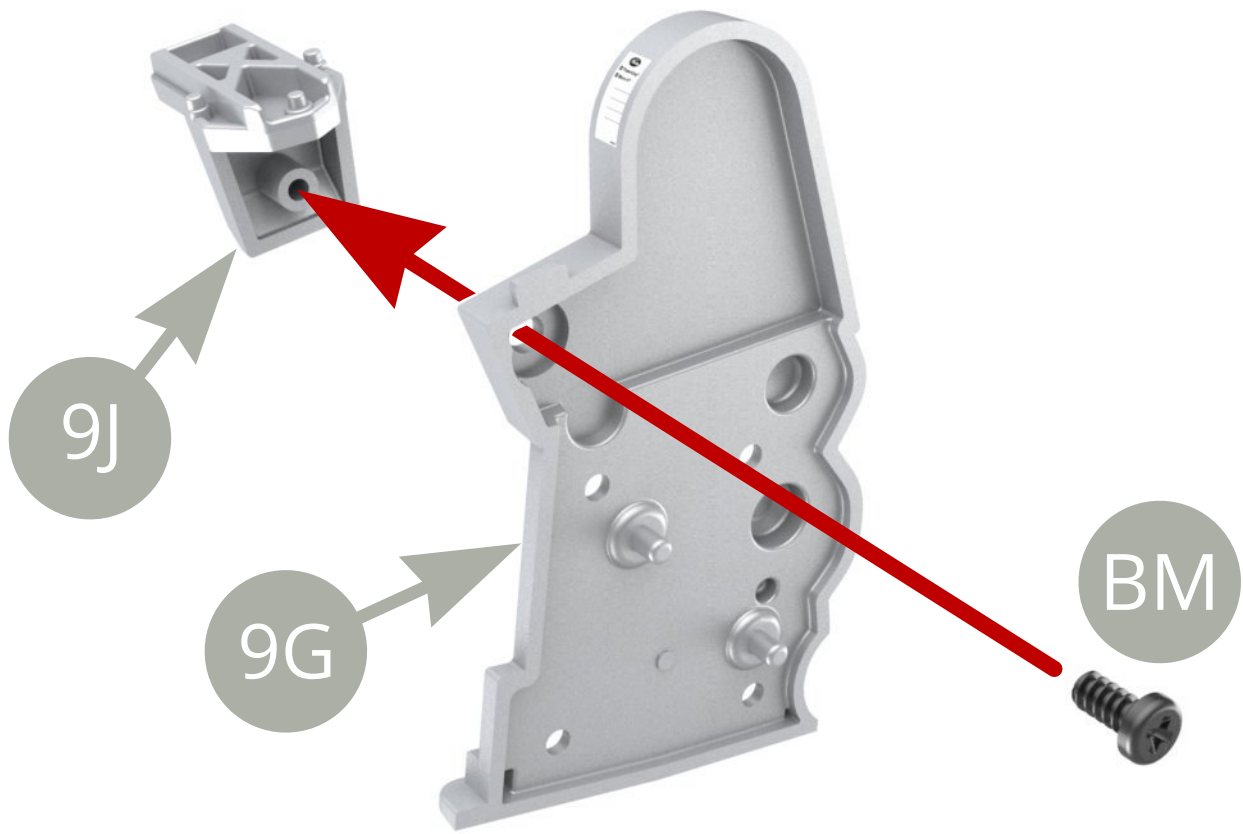
Fit **9A Alternator bracket 1** to **9F Alternator bracket 2** and fix with **AM screw** .



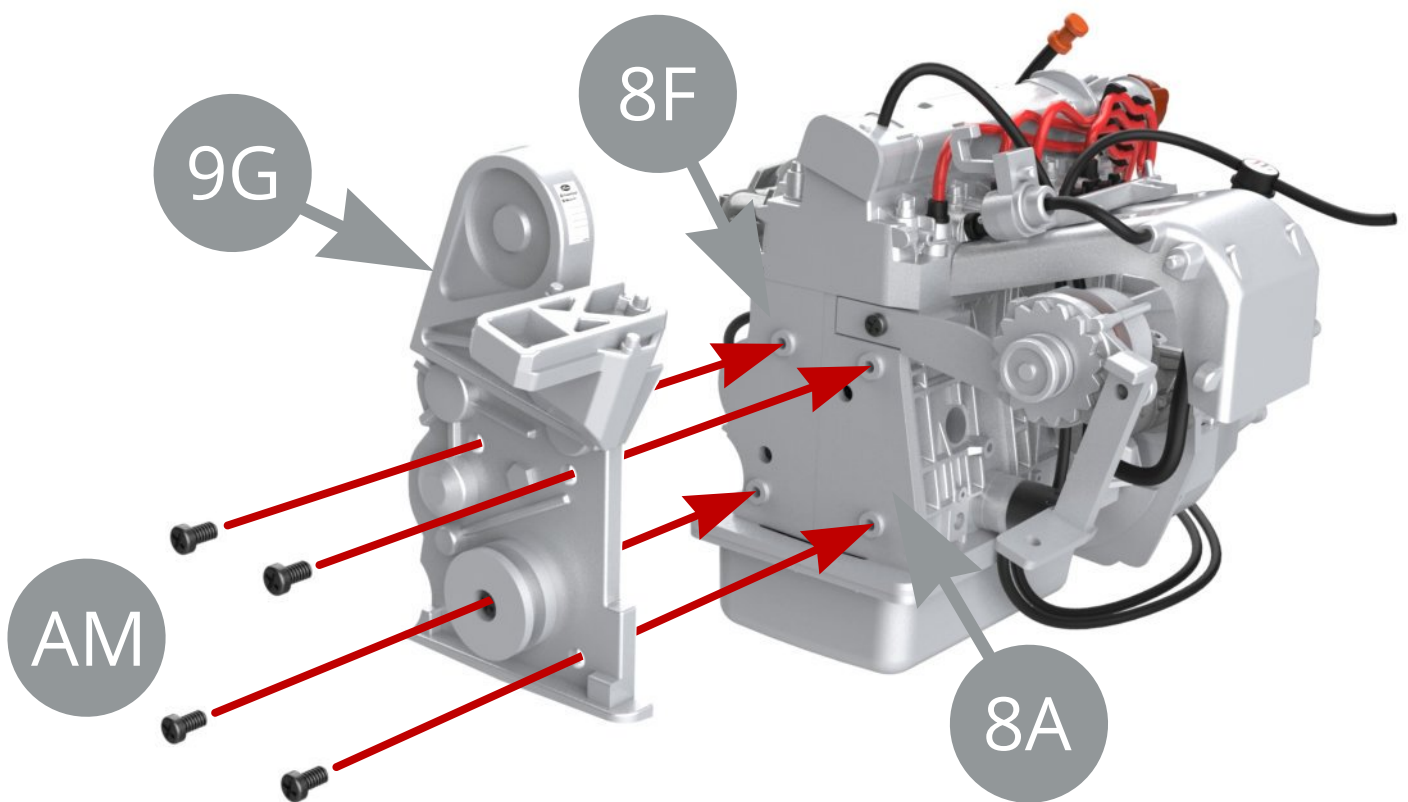
Fit **9A Alternator bracket 1** to **8A Left Engine block** and fix with **AM screw** .



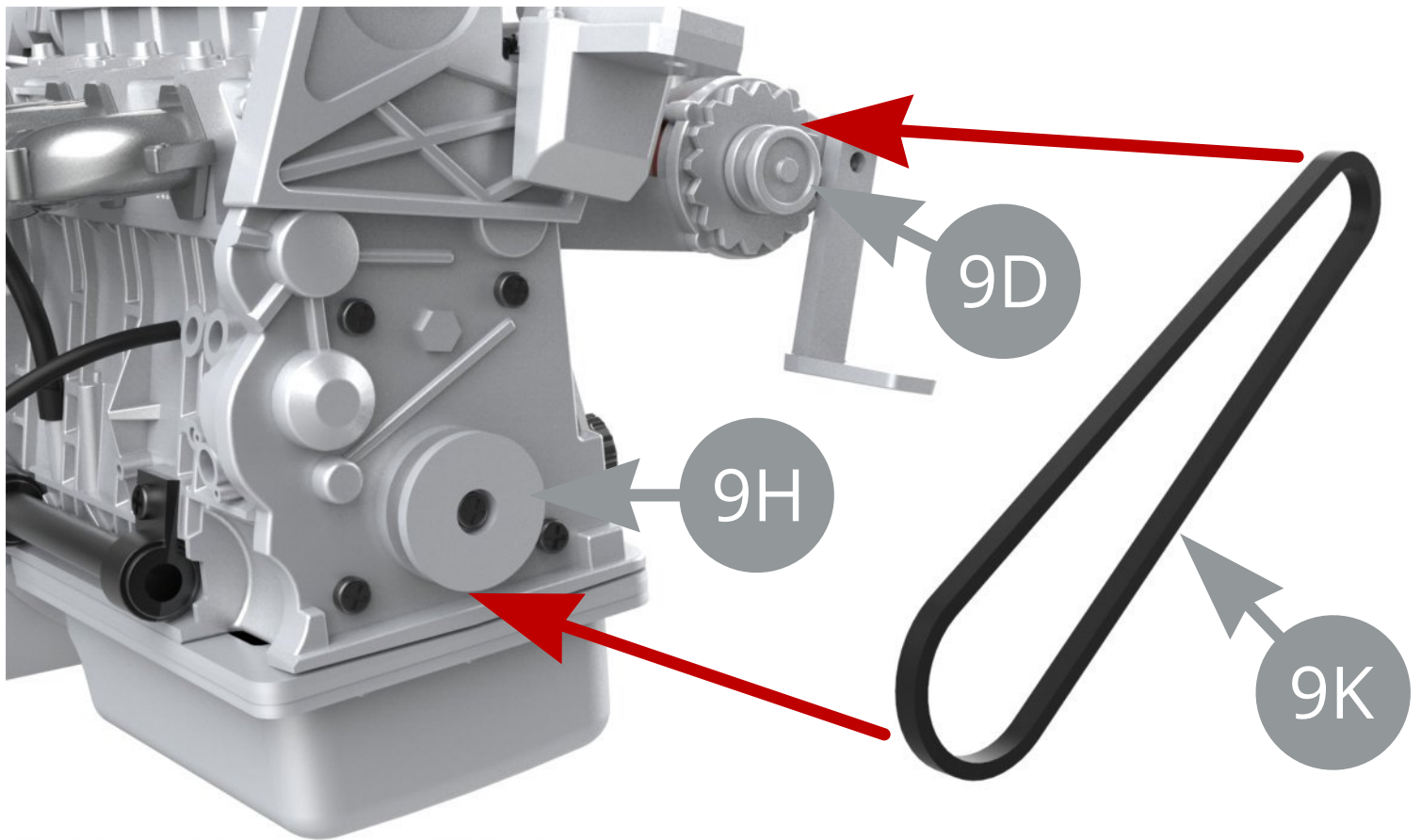
Fit **9I Sheave cheek** and **9H Crankshaft sheave** to **9G Timing belt cover** and fix with **AM screw** .



Fit **9J Engine mount** to **9G Timing belt cover** and fix with **BM screw** .

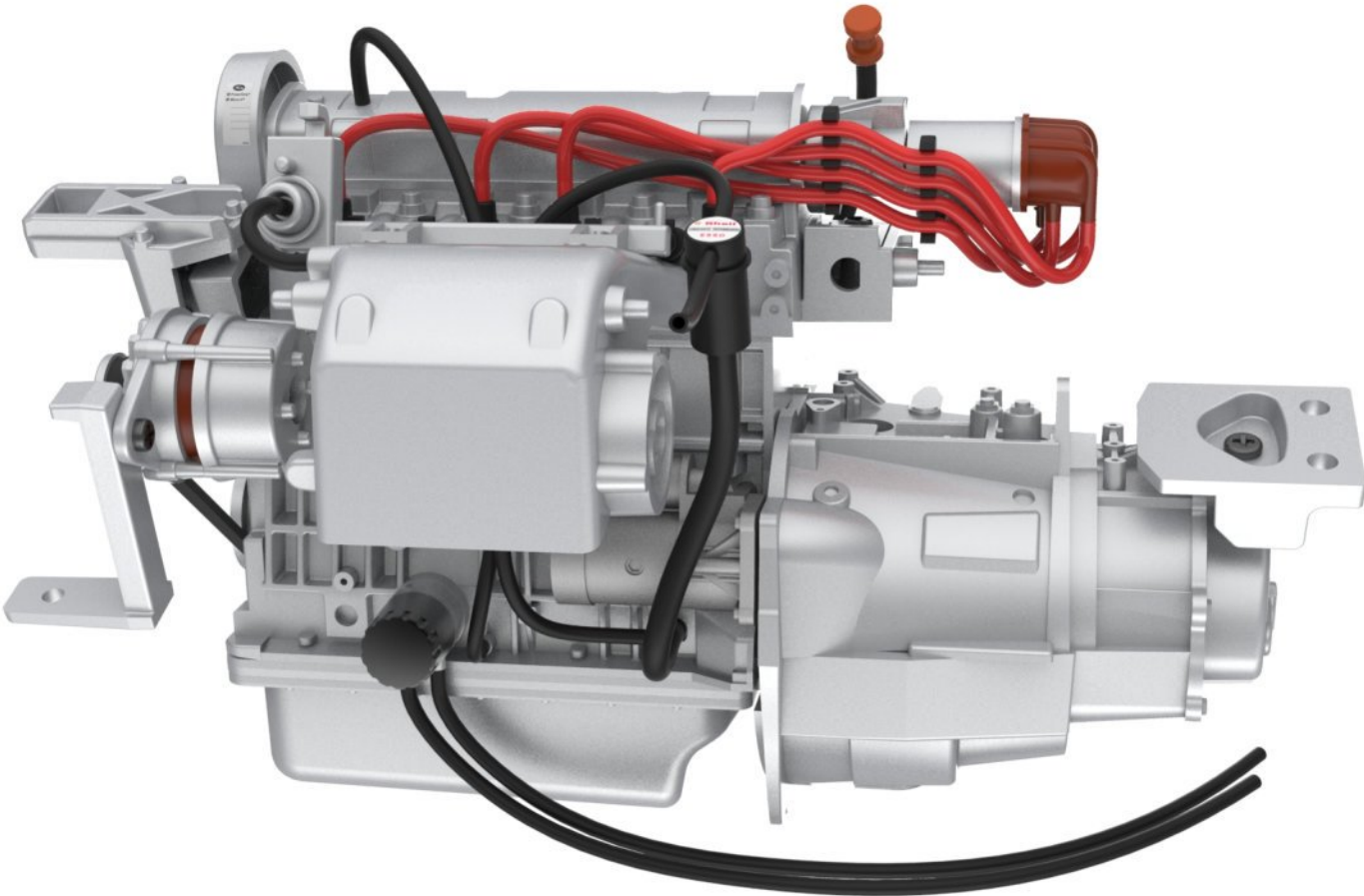
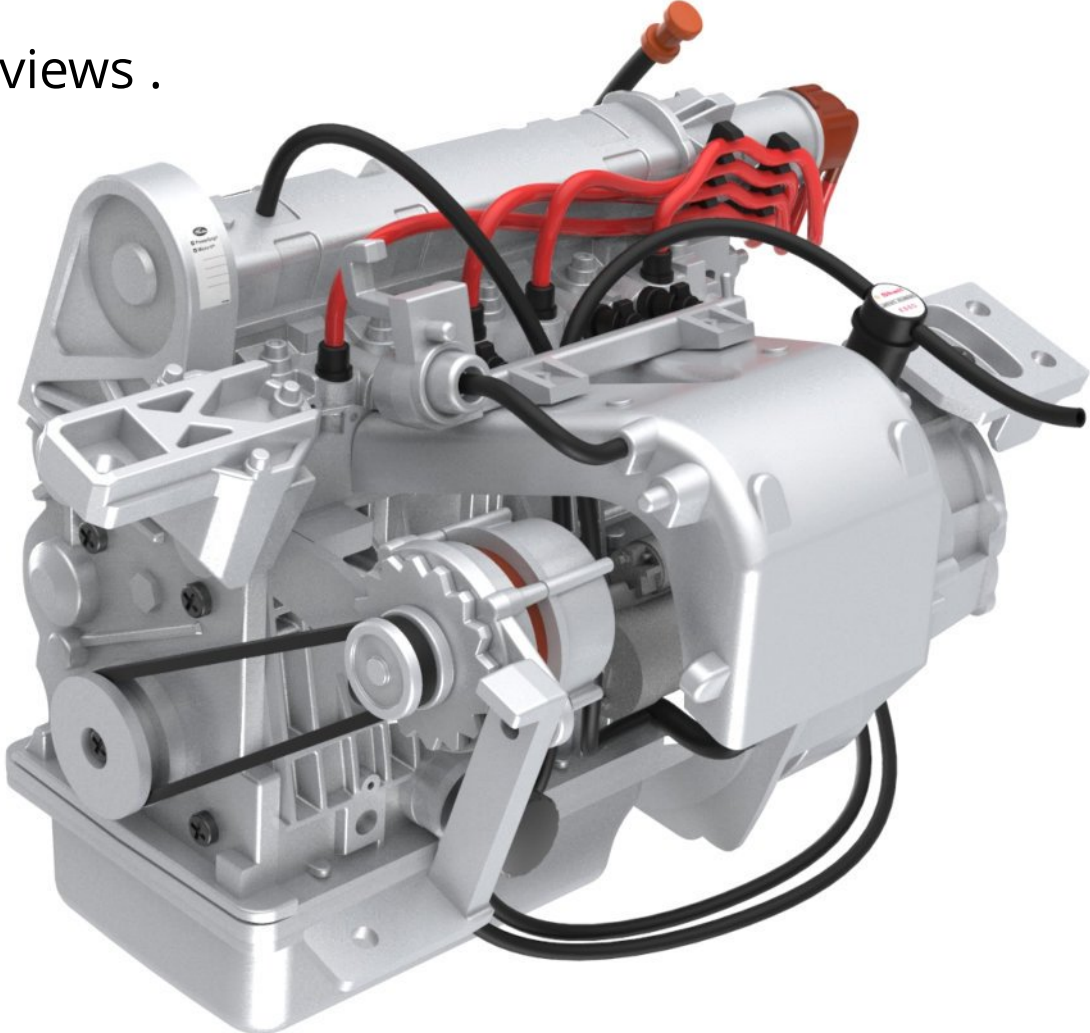


Fit **9G Timing belt cover** to **8A Left** and **8F Right Engine blocks** and fix with four **AM screws** .



Fit **9K Alternator belt** to **9H Crankshaft sheave** and **9D Axle sheave** .

Final views .



Assembly drawings .

