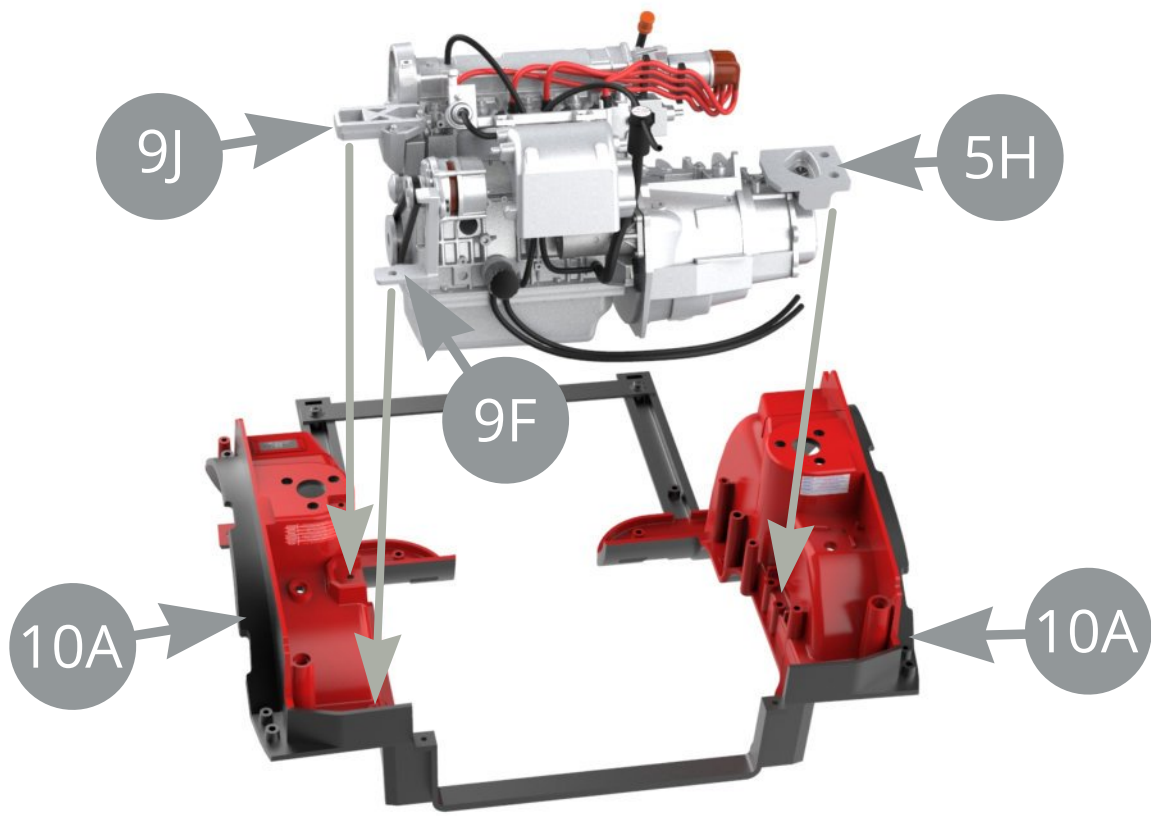
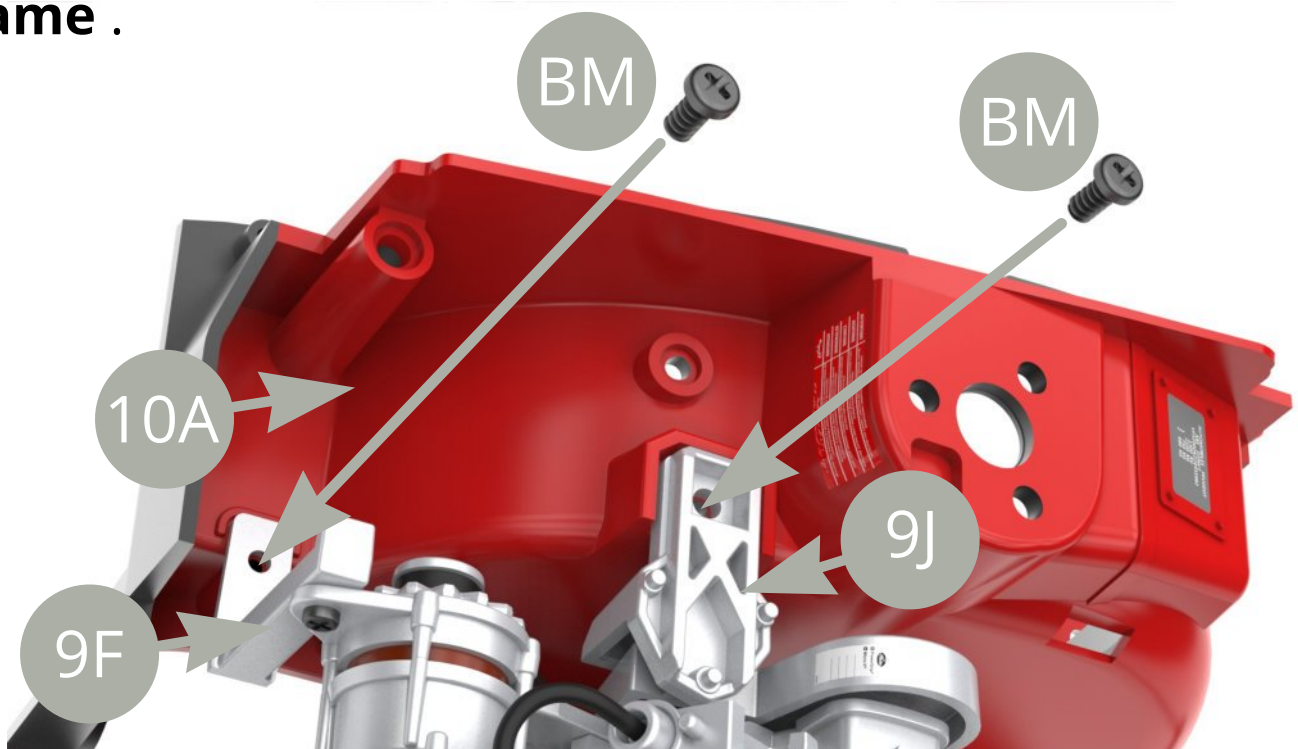


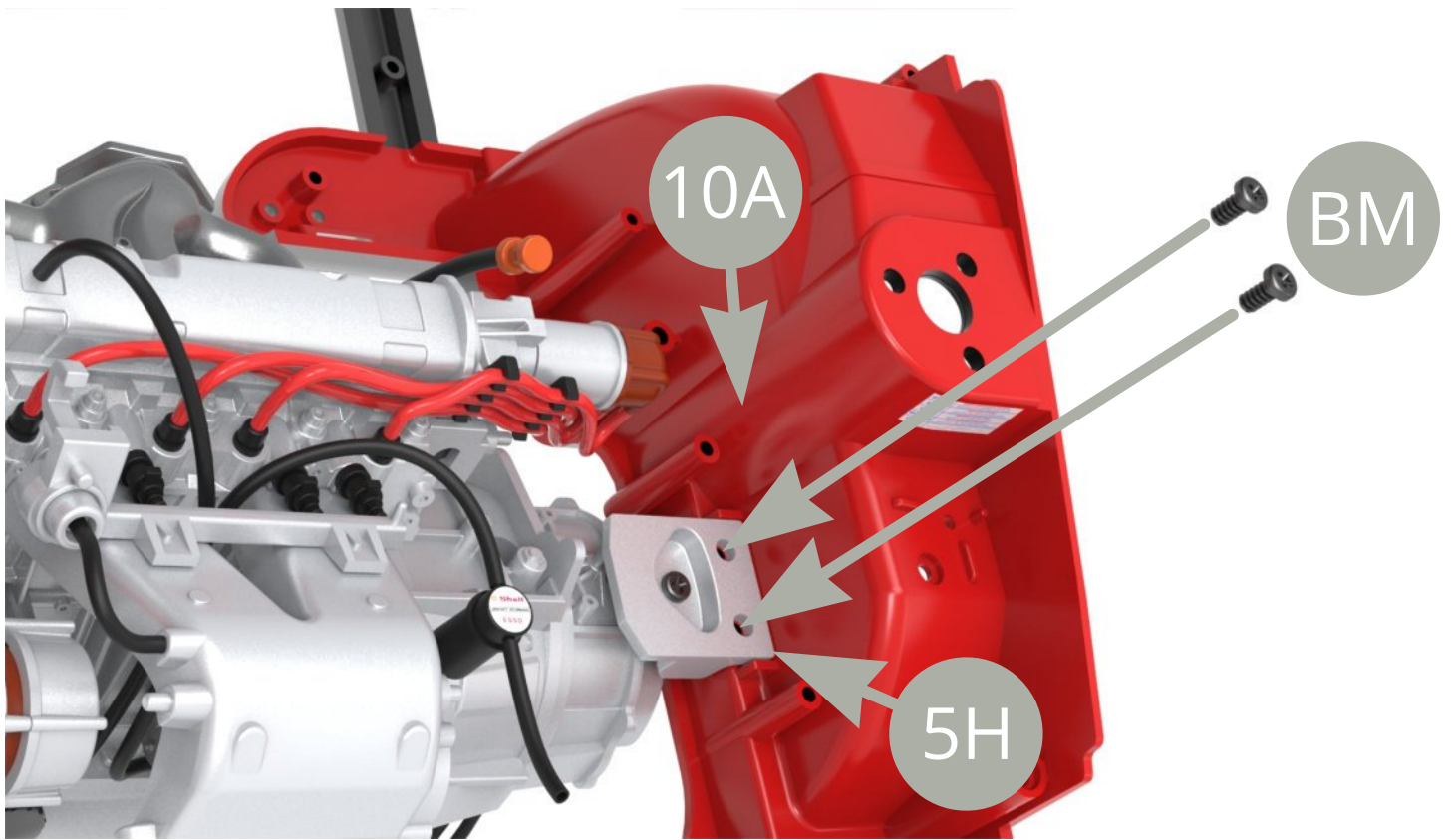
- 10A Front wheel arc frame
- 10B Hose
- BM 2.0\*4mm ( x5 )



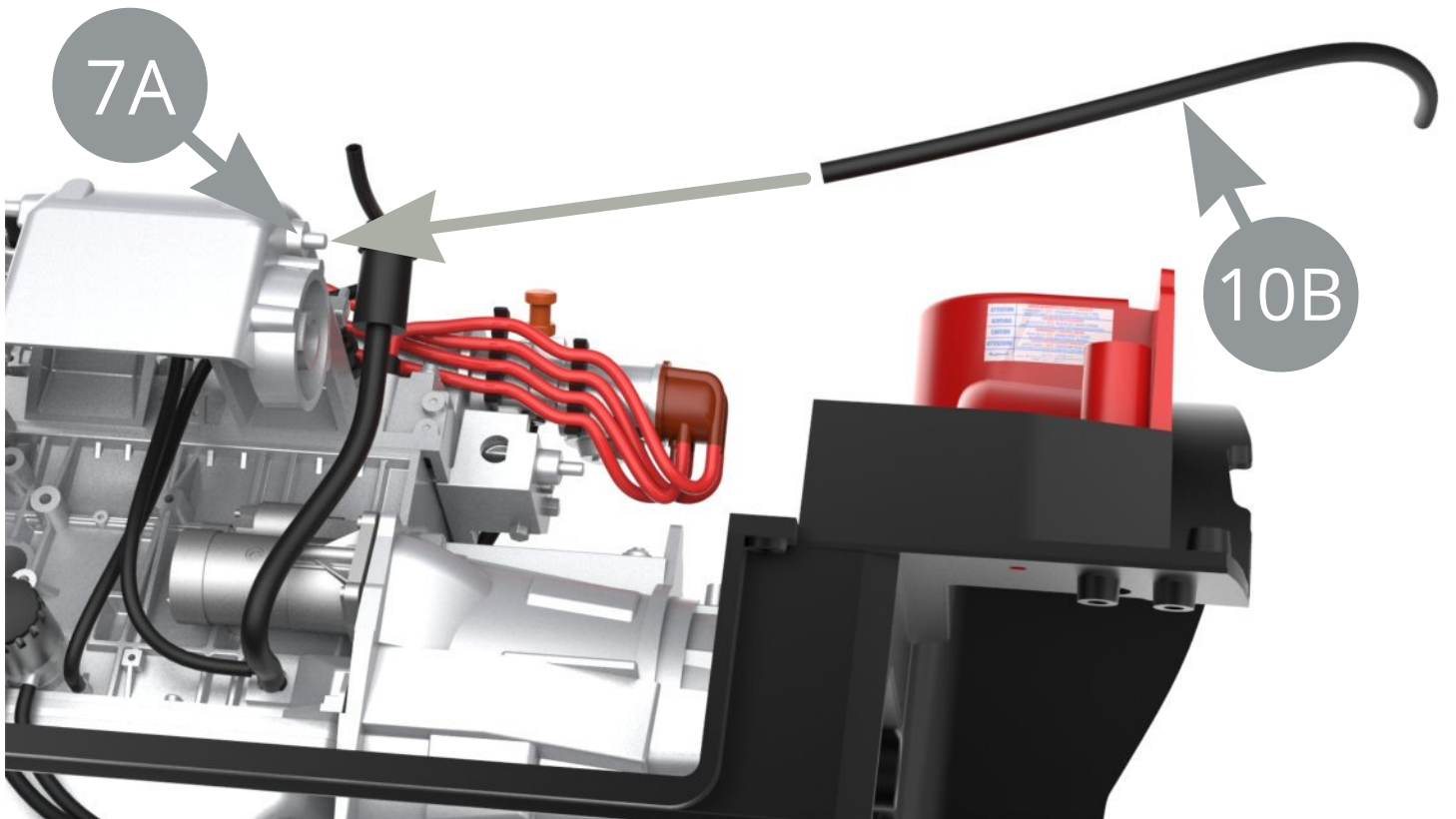
Fit **Engine assembly** , by **9J Engine mount** , **9F Alternator bracket 2** and **5H Mount plate** to **10A Front wheel arc frame** .



Fix **9J Engine mount** and **9F Alternator bracket 2** to **10A Front wheel arc frame** with two **BM screws** .

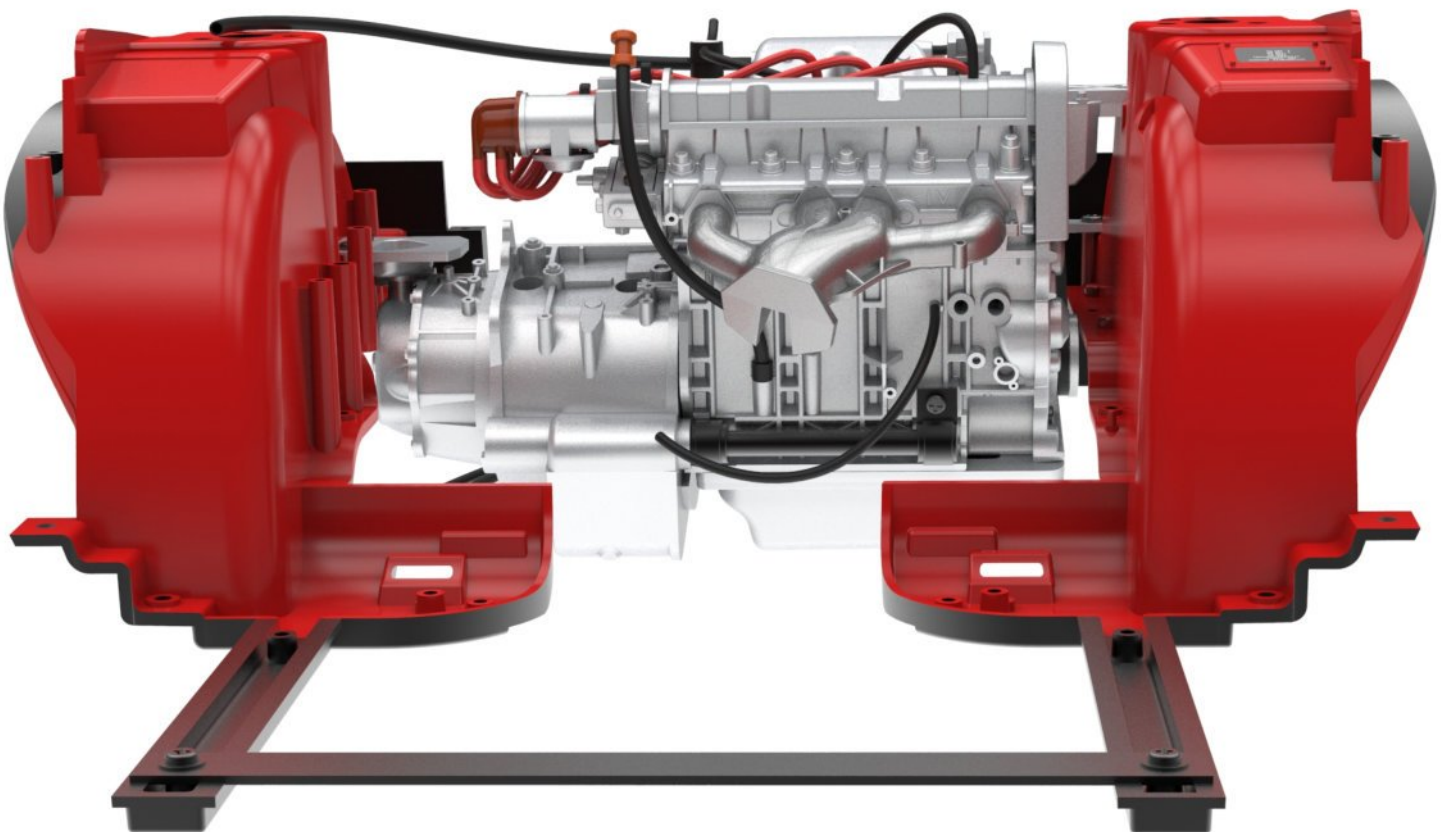
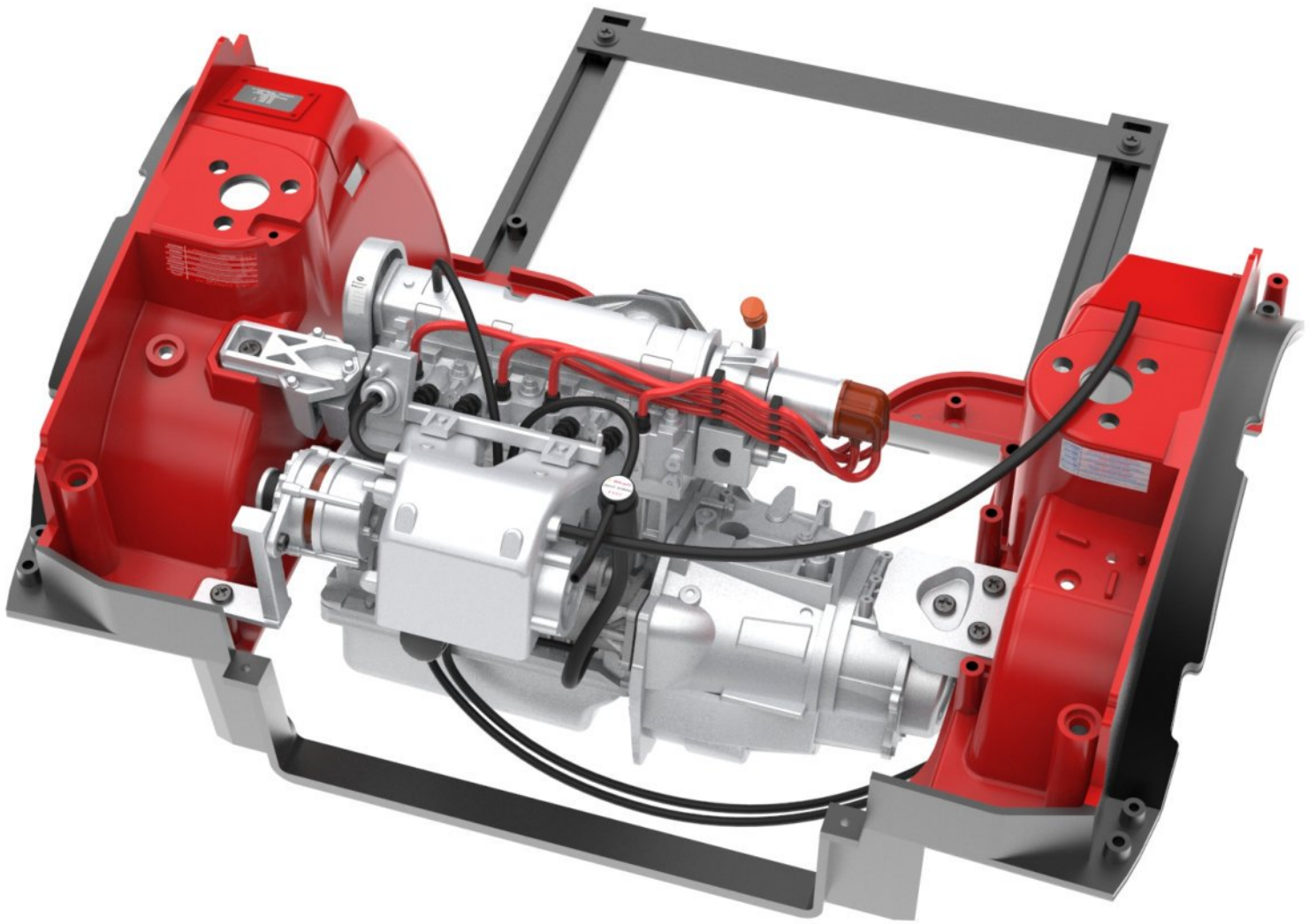


Fix **5H Mount plate** to **10A Front wheel arc frame** with two **BM screws** .



Fit **10B Hose** to **7A Intake manifold nozzle** .

# Final views



# Assembly drawing

