

12A Hub carrier

12B Brake disc outer part

12C Brake disc inner part

12D Brake caliper

12E Pivot link

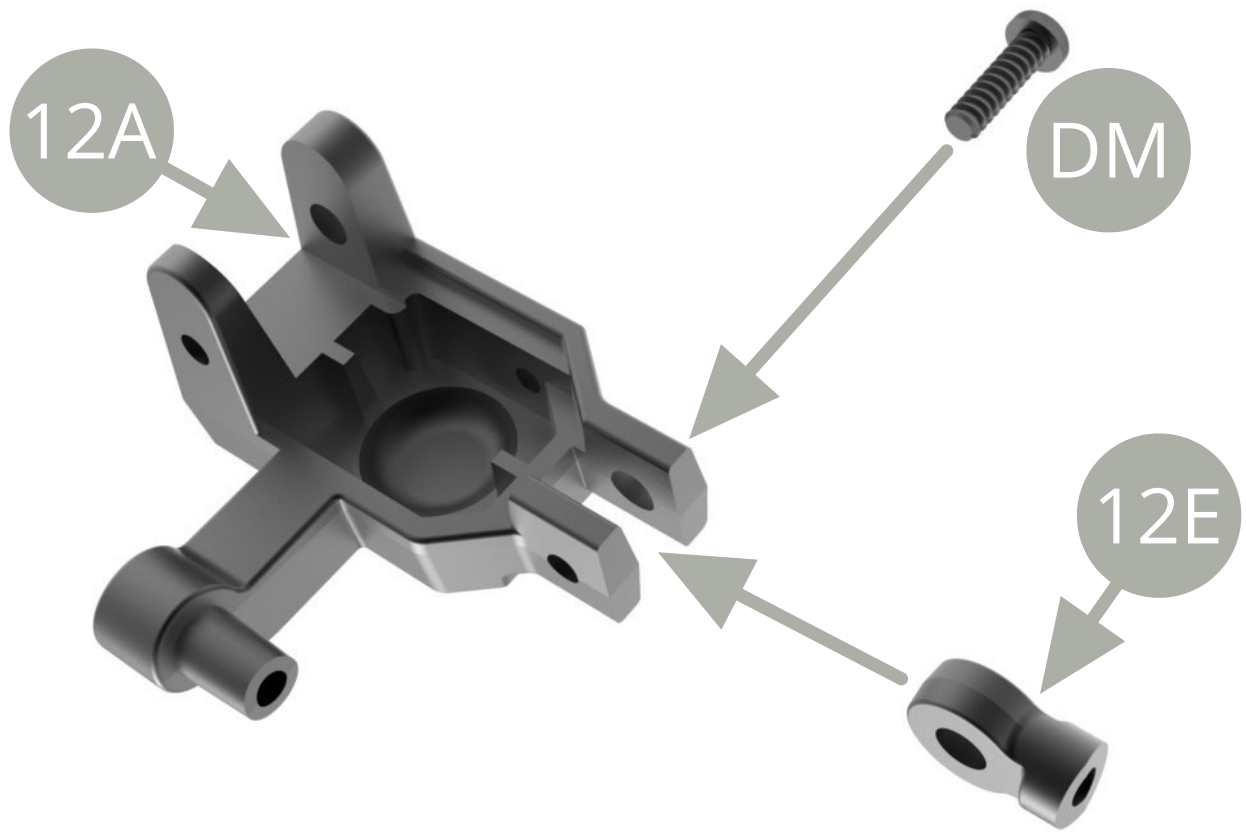
12F Front suspension strut

12G Brake fluid pipe

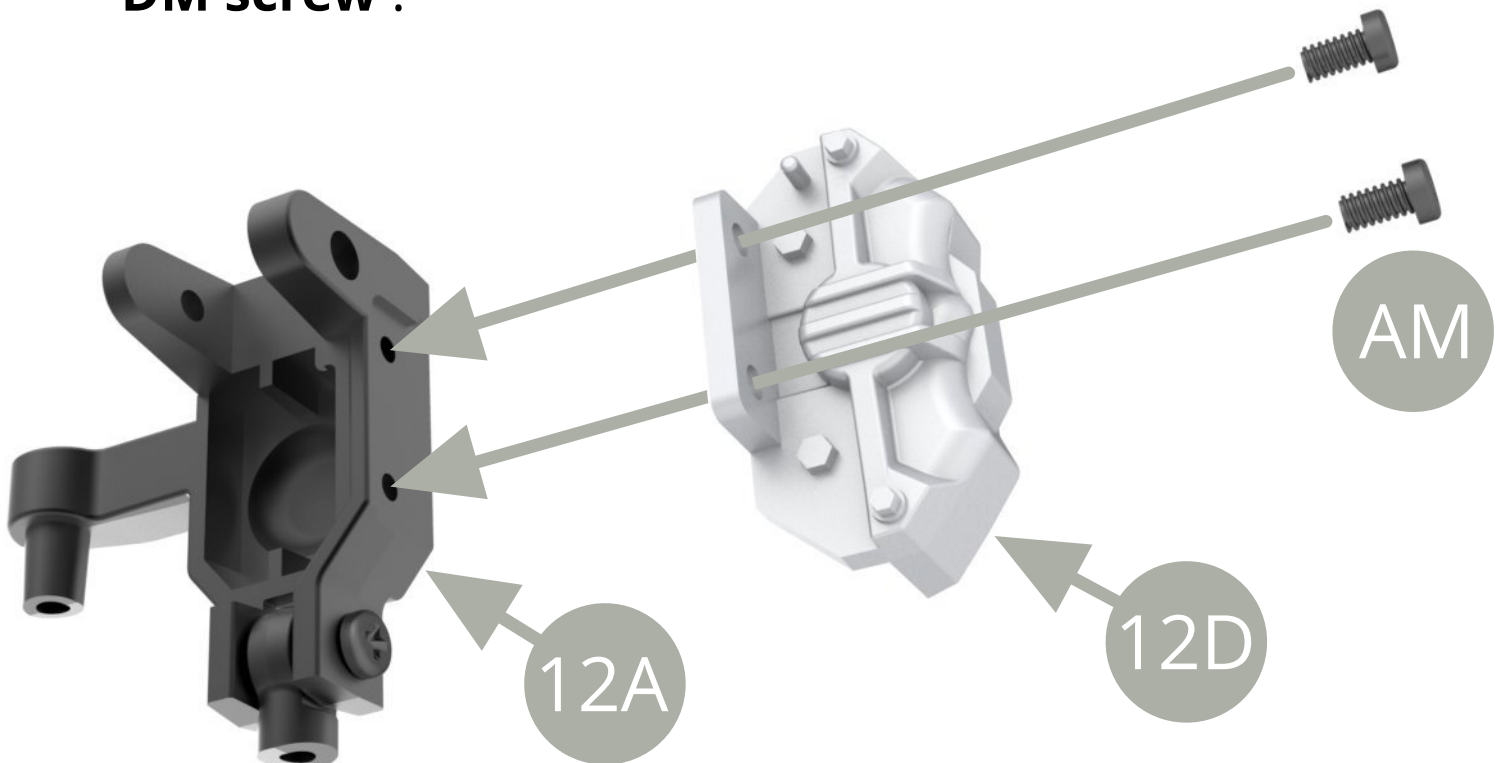
AM 1.7 x 3 mm ( x3 )

DM 2.0 x 7 mm ( x2 )

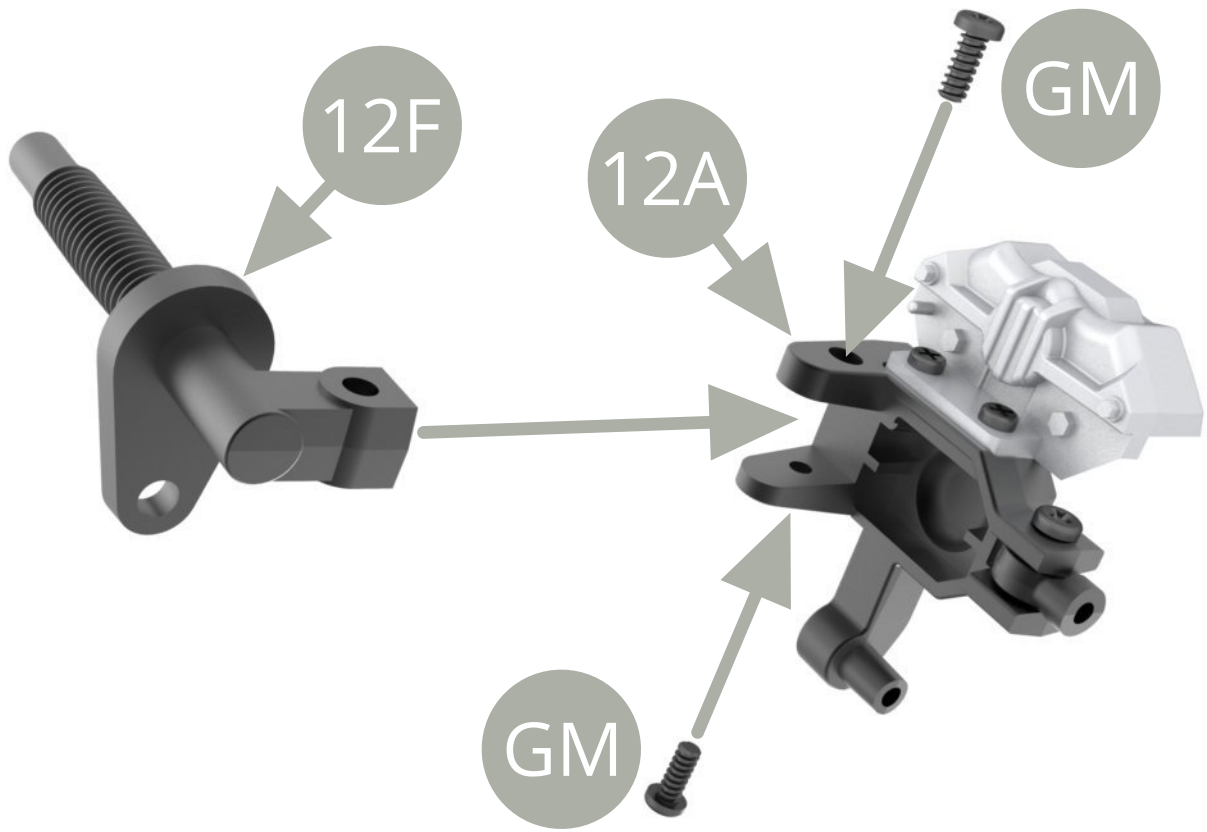
GM 2.0 x 5 mm ( x3 )



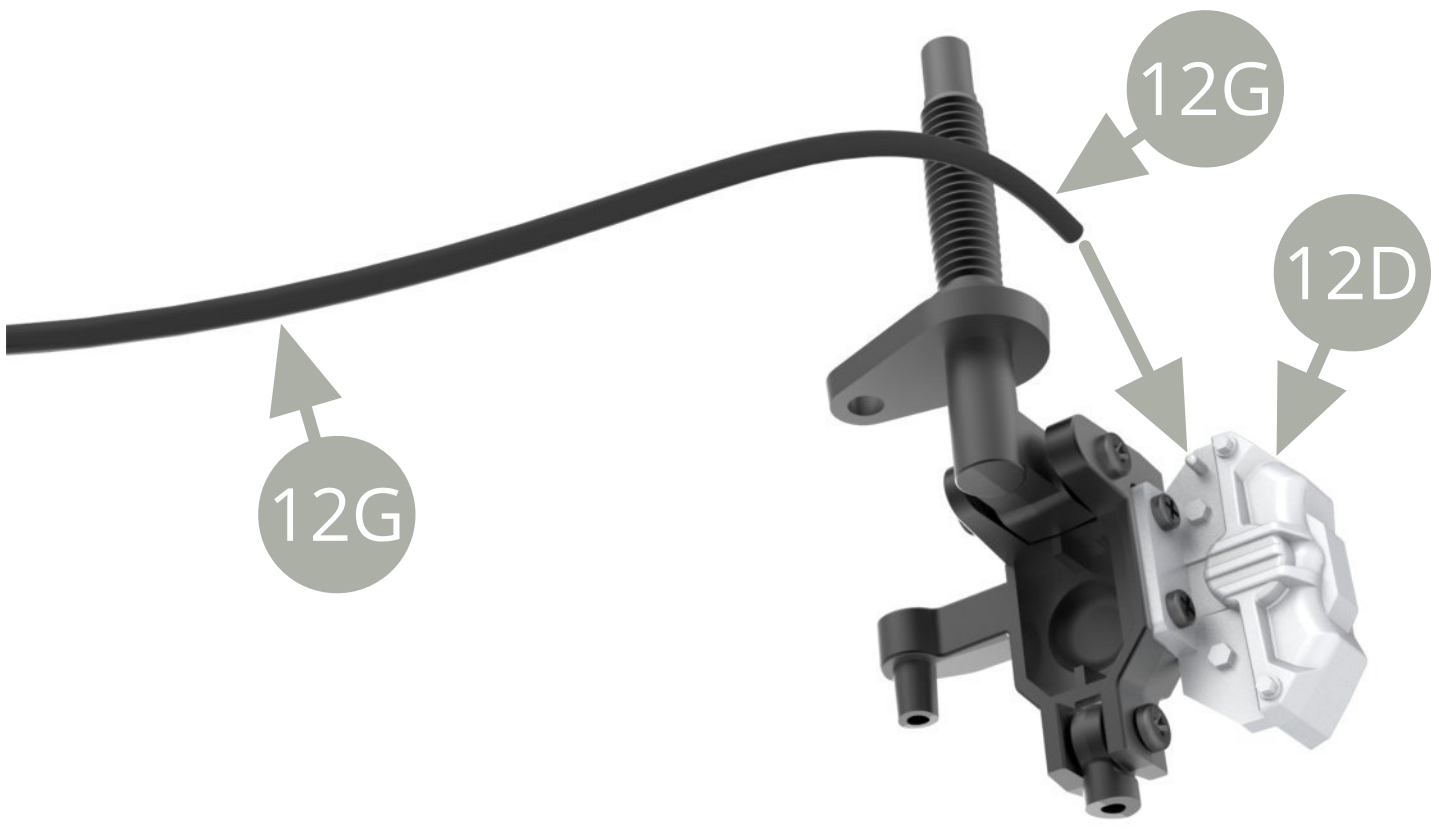
Fit **12E Pivot link** to **12A Hub carrier** and fix with **DM screw** .



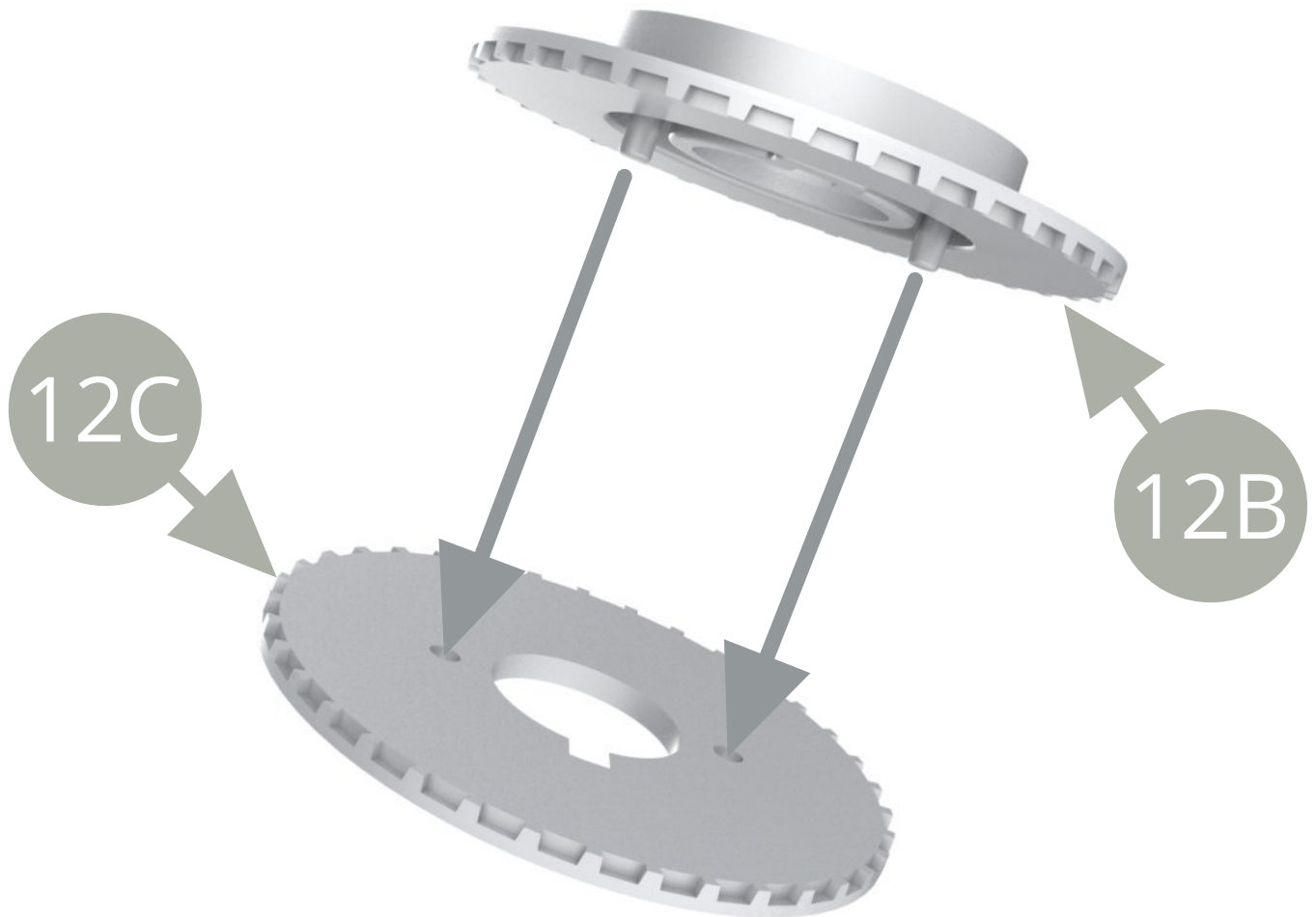
Fit **12D Brake caliper** to **12A Hub carrier** and fix with two **AM screws** .



Fit **12F Front suspension strut** to **12A Hub carrier** and fix with two **GM screws** .



Fit **12G Brake fluid pipe** to **12D Brake caliper** .



Fit together **12B Outer** and **12C Inner**  
**Brake disc parts .**

Final views



# Assembly drawing

