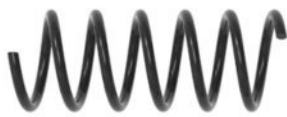




13A



13B



13C



13D



13E



13F



13G



CM



FM

13A Top mounting

13B Coil spring

13C Driveshaft

13D Pivot link

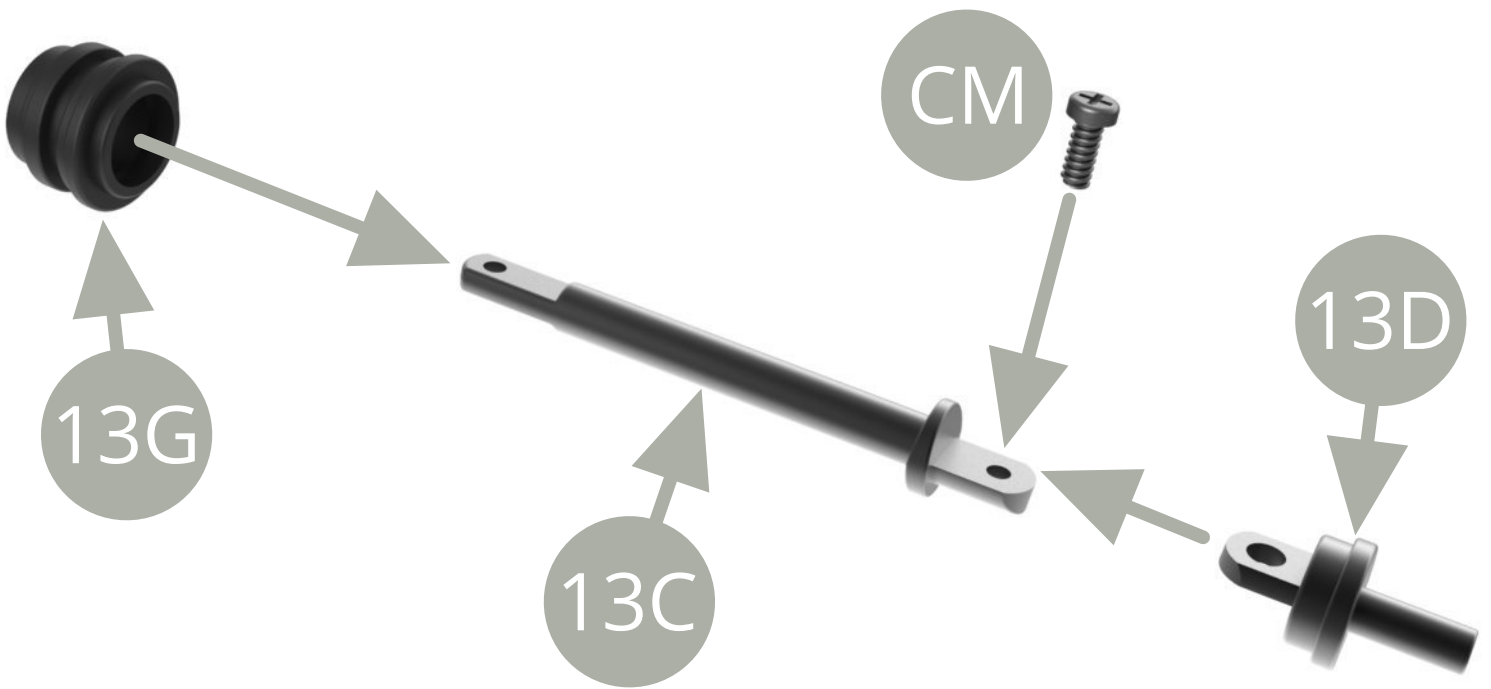
13E Stub axle

13F Rubber bellows

13G Rubber bellows

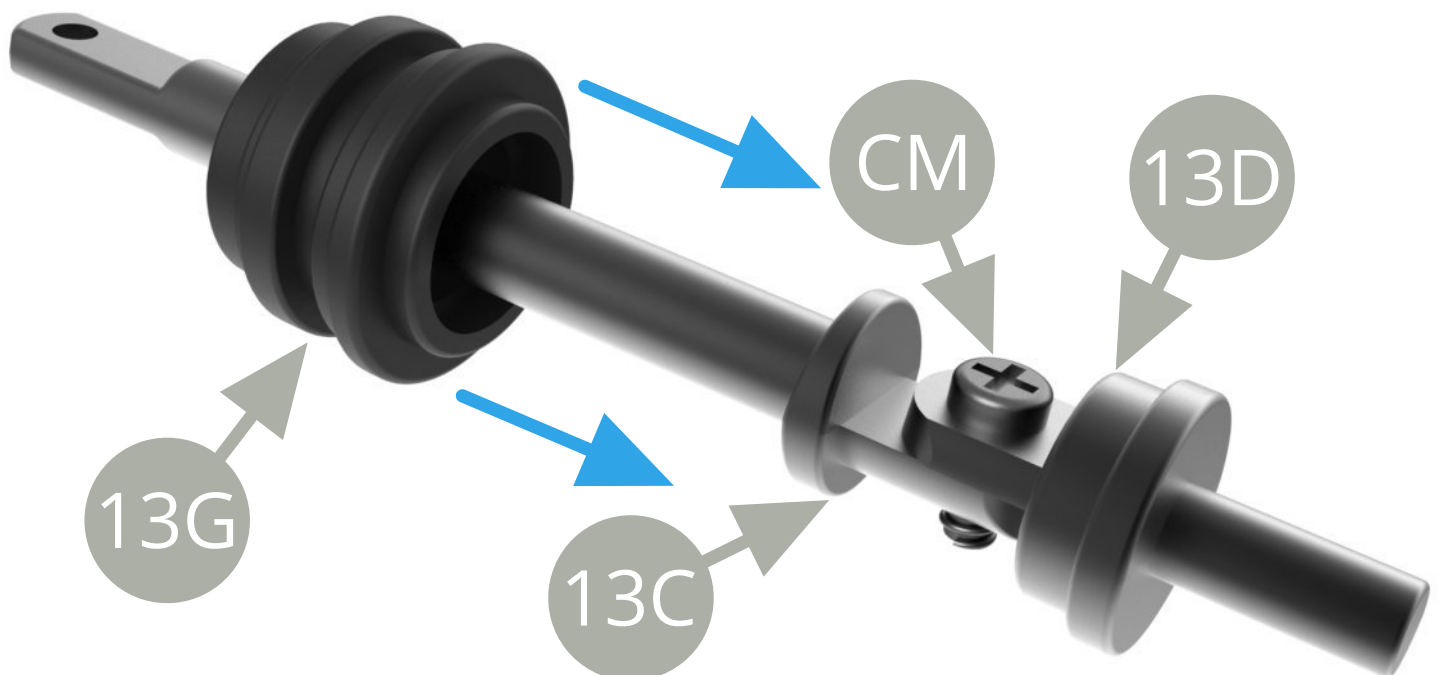
CM M1.7x4 mm ( x3 )

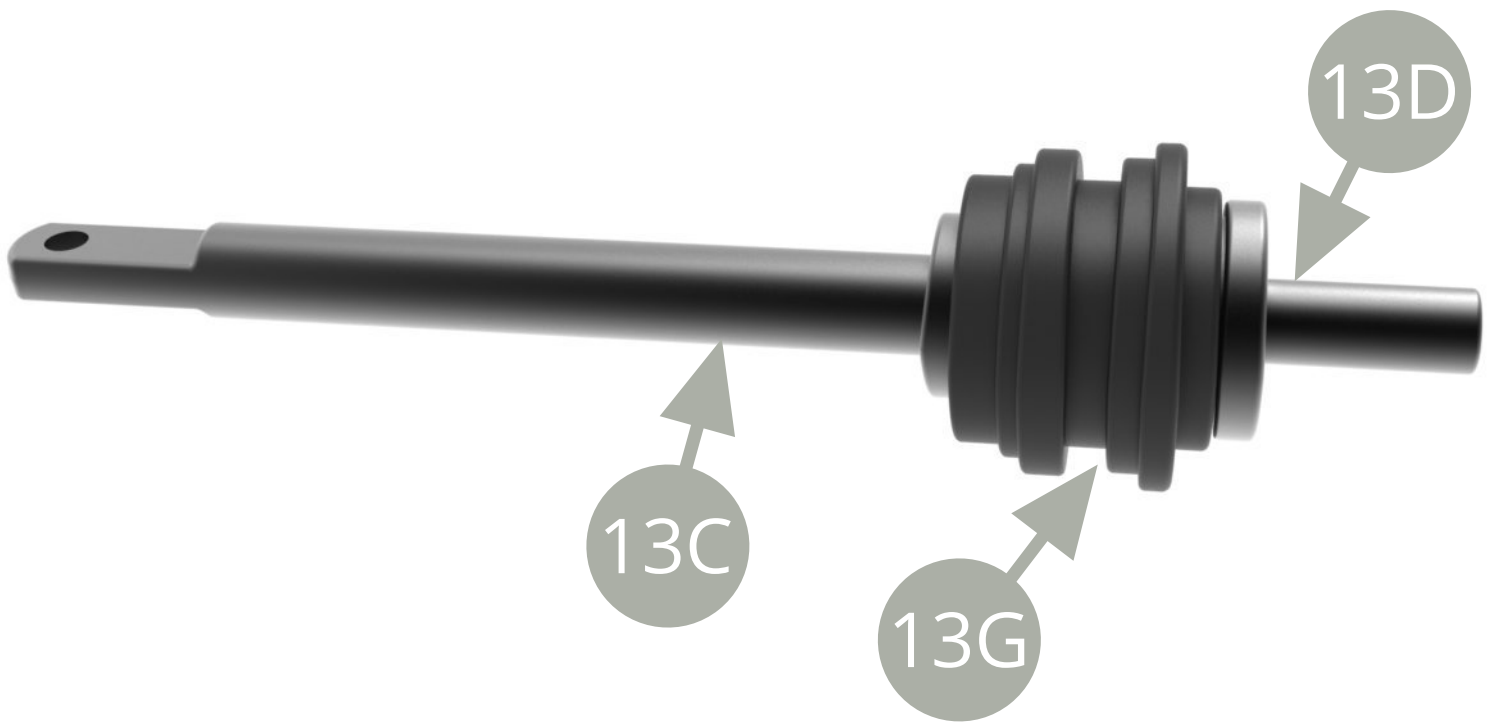
FM M2.3x3x5.5 mm ( x2 )



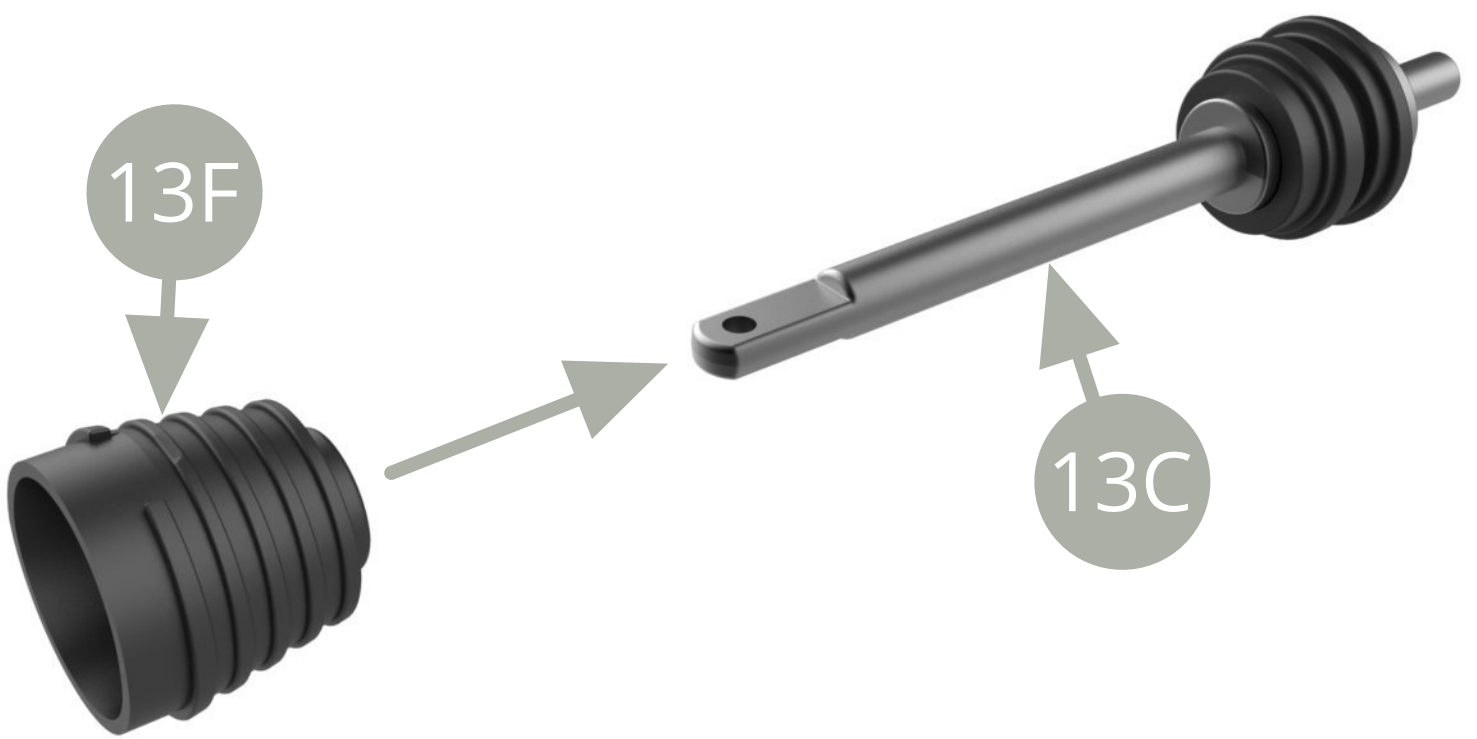
Fit **13D Pivot link** to **13C Driveshaft** and fix with **CM screw** .

Fit **13G Rubber bellows** onto **13C Driveshaft** to cover the joint ( **blue arrows motion** ), as shown on top and bottom illustrations .

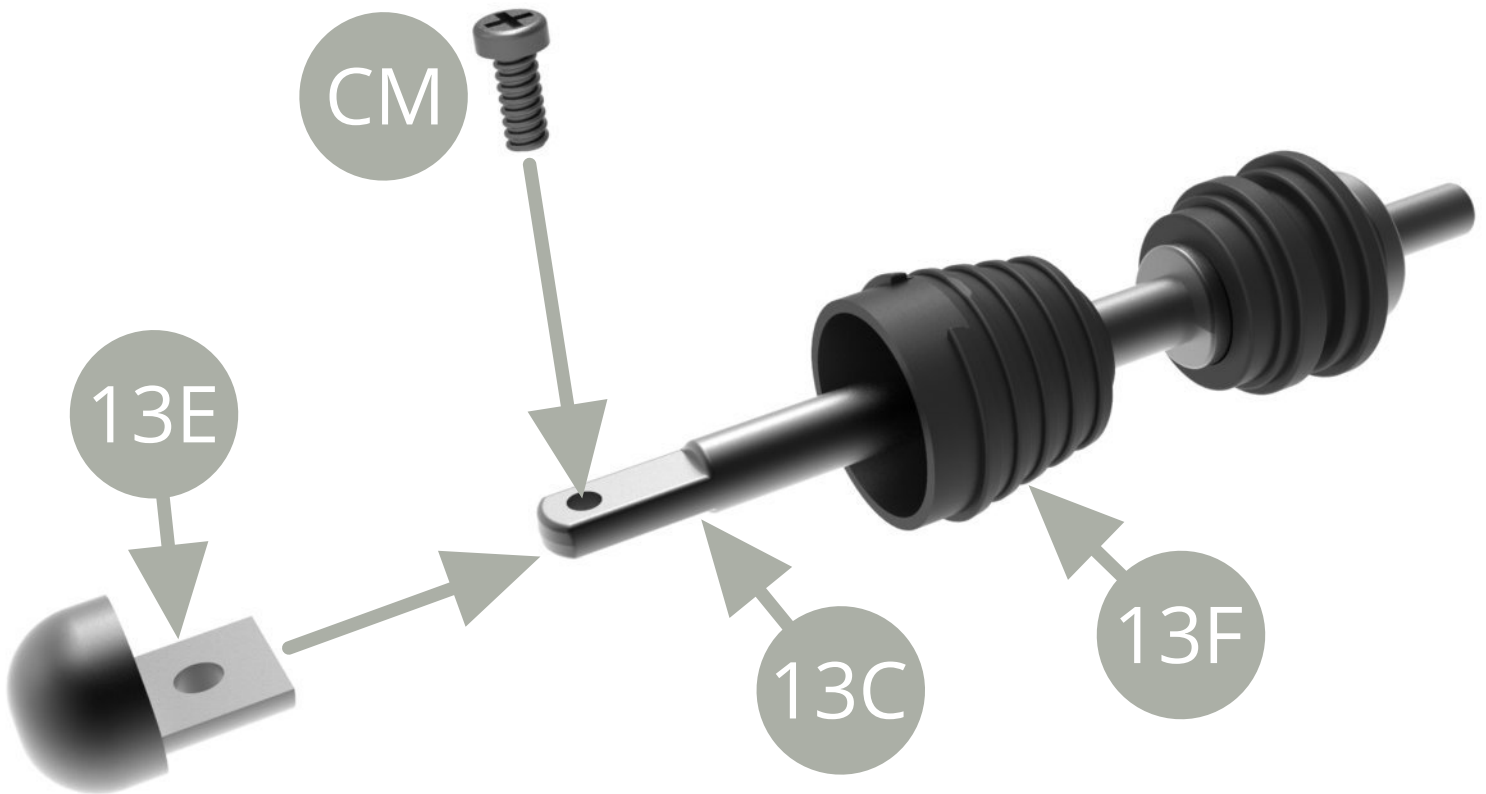




**13G Rubber bellows** fitted home .

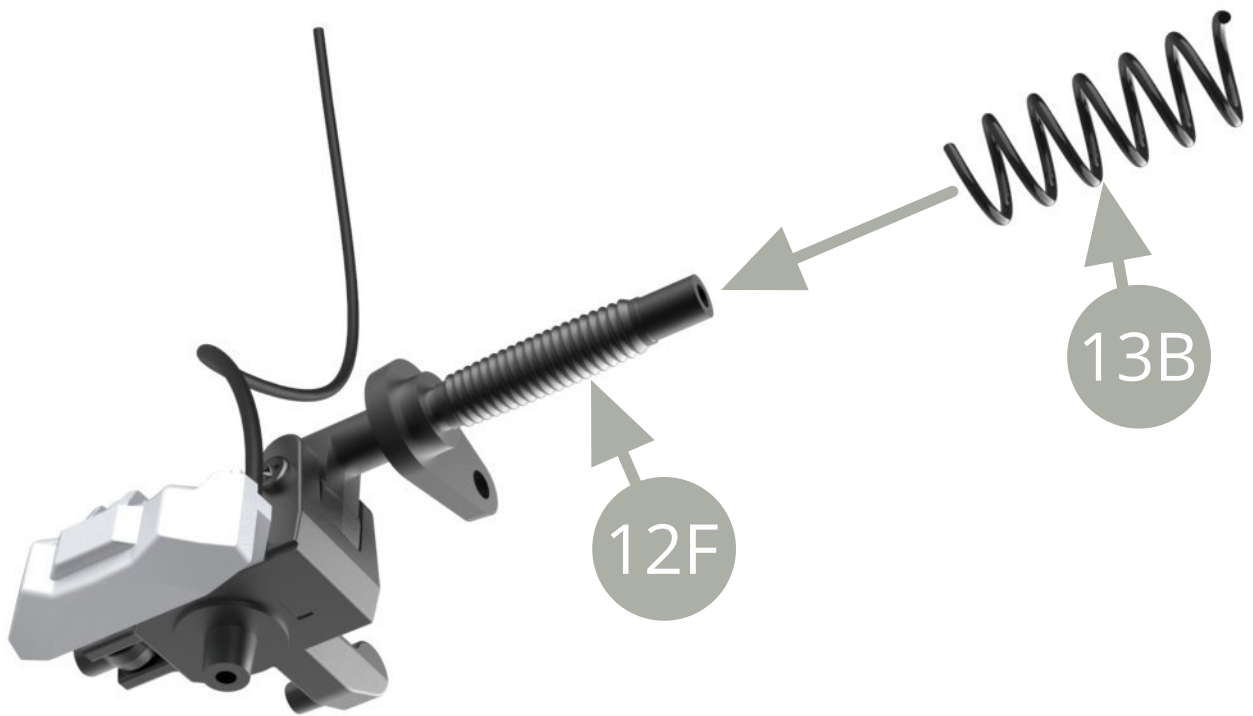


Fit **13F Rubber bellows** onto **13C Driveshaft** .

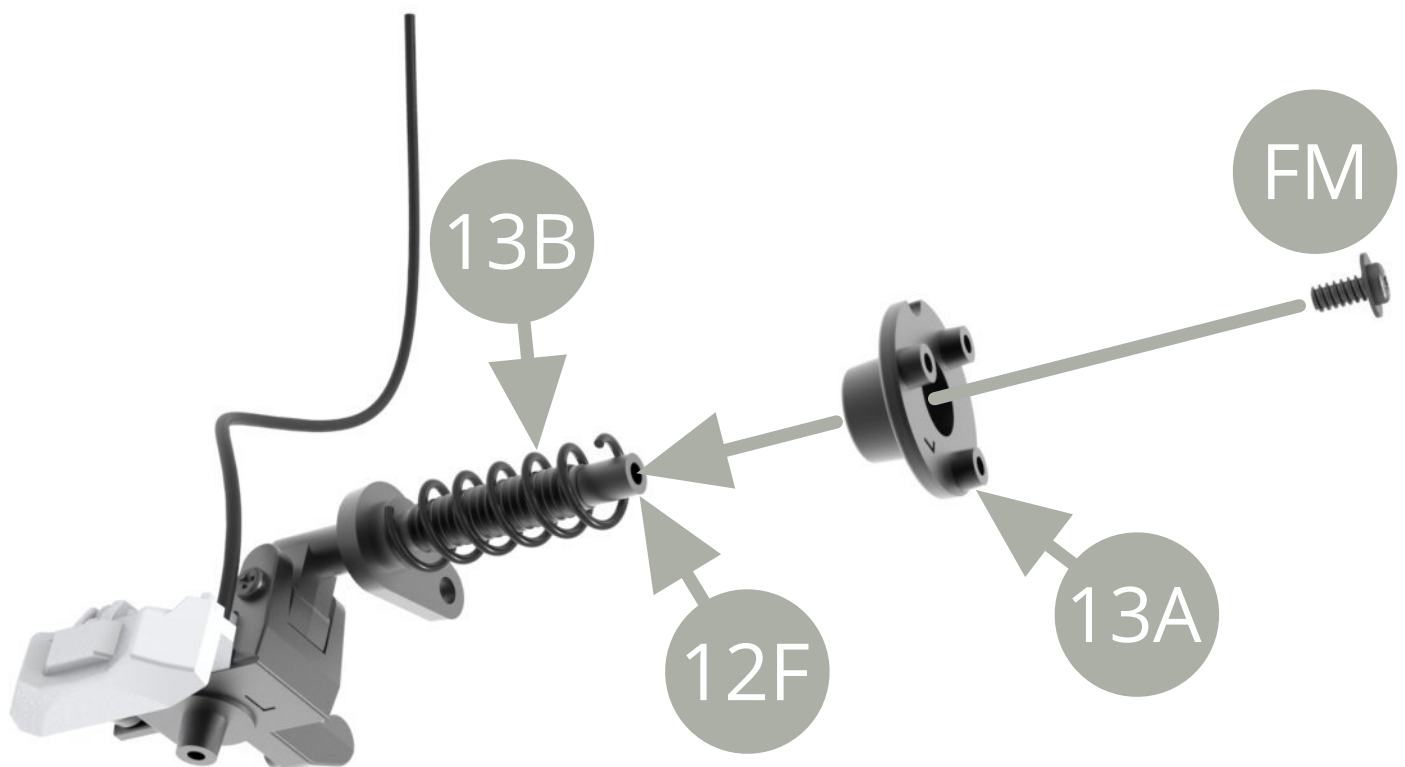


Fit **13E Stub axle** to **13C Driveshaft** and fix with **CM screw** .





Fit **13B Coil spring** on **12F Front suspension strut** .



Fit **13A Top mounting** to **12F Front suspension strut** top and fix with **FM screw** .

Do not overtighten **FM screw** , leave rotation freedom for **13A Top mounting** , this will enable better steering function .

Final views .



Assembly drawing .

