

14A Hub carrier

14B Brake disc outer part

14C Brake disc inner part

14D Brake caliper

14E Pivot link

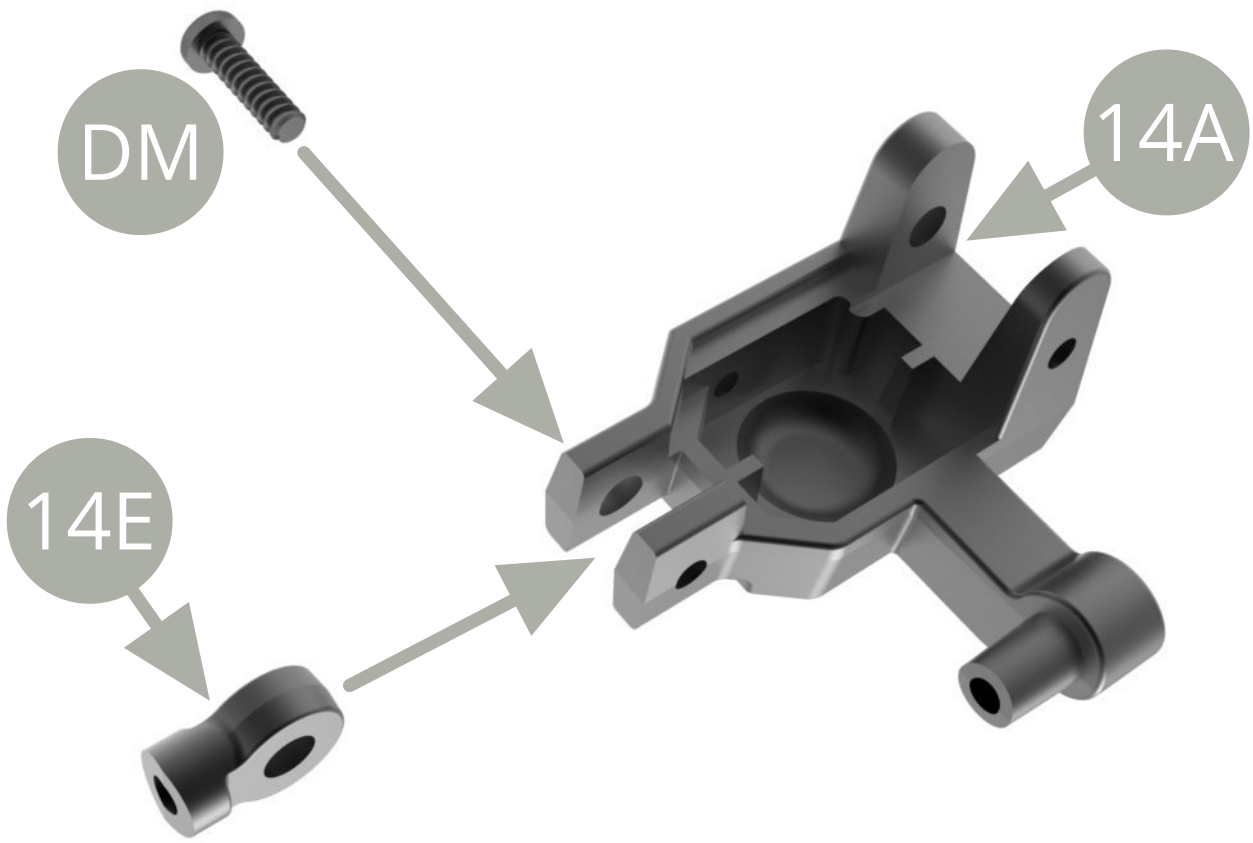
14F Front suspension strut

14G Brake fluid pipe

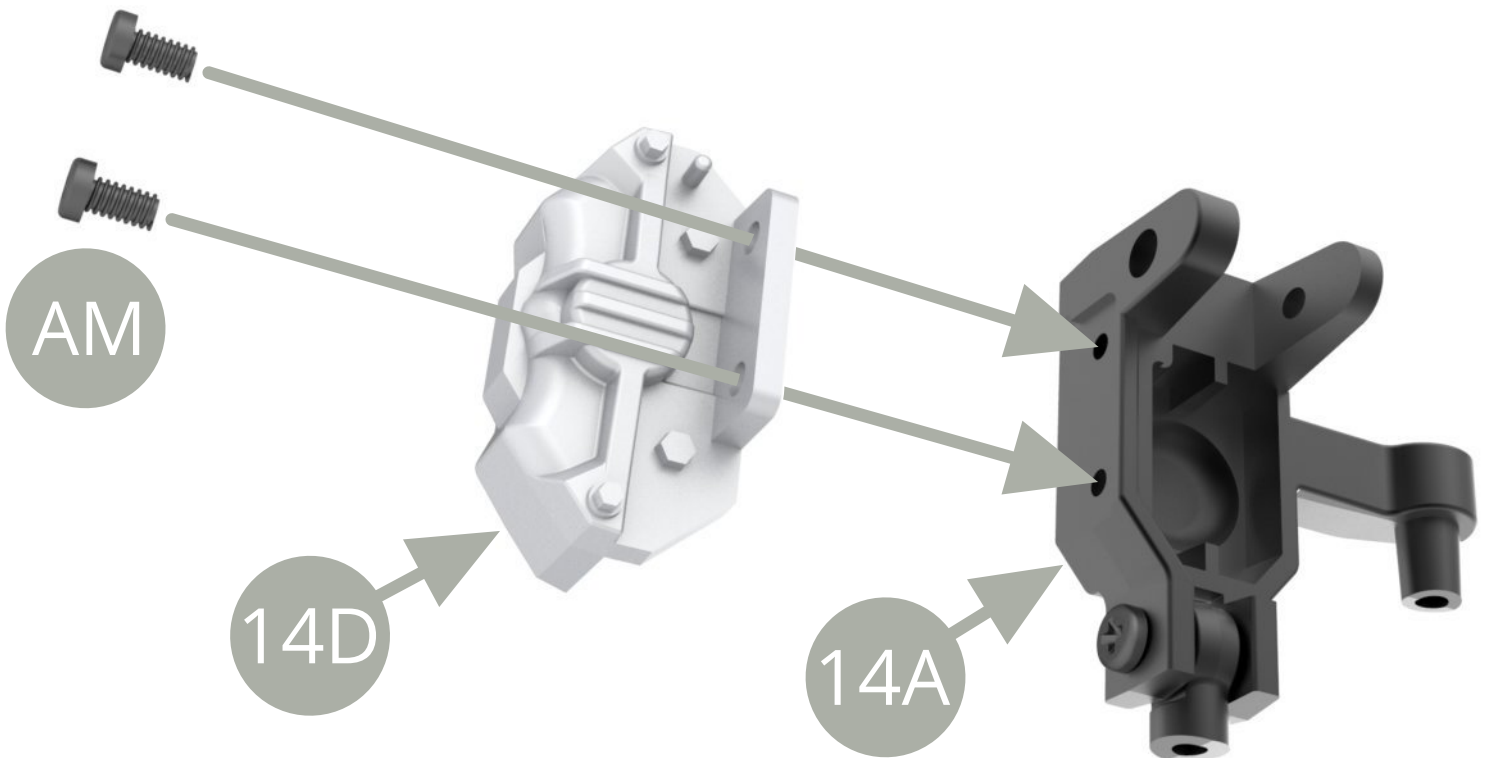
AM 1.7 x 3 mm ( x3 )

DM 2.0 x 7 mm ( x2 )

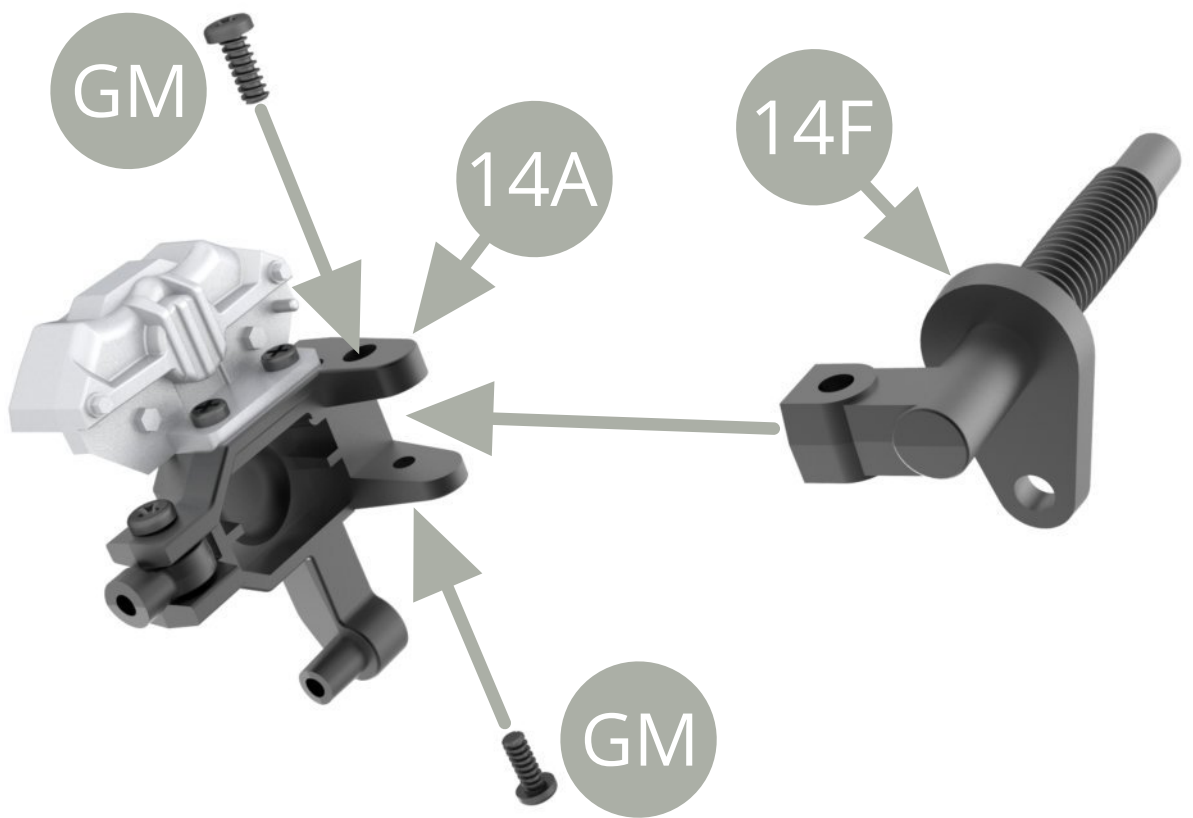
GM 2.0 x 5 mm ( x3 )



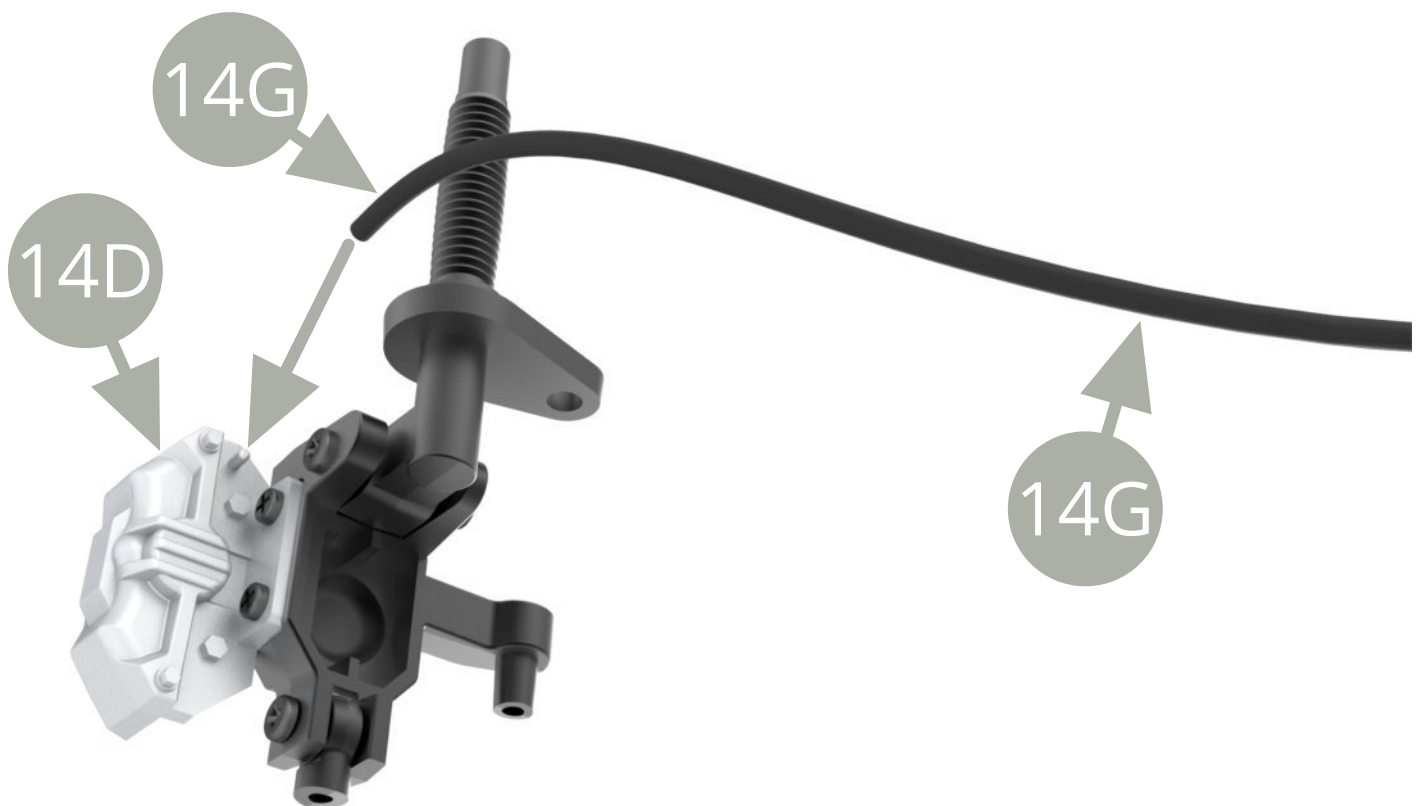
Fit **14E Pivot link** to **14A Hub carrier** and fix with **DM screw** .



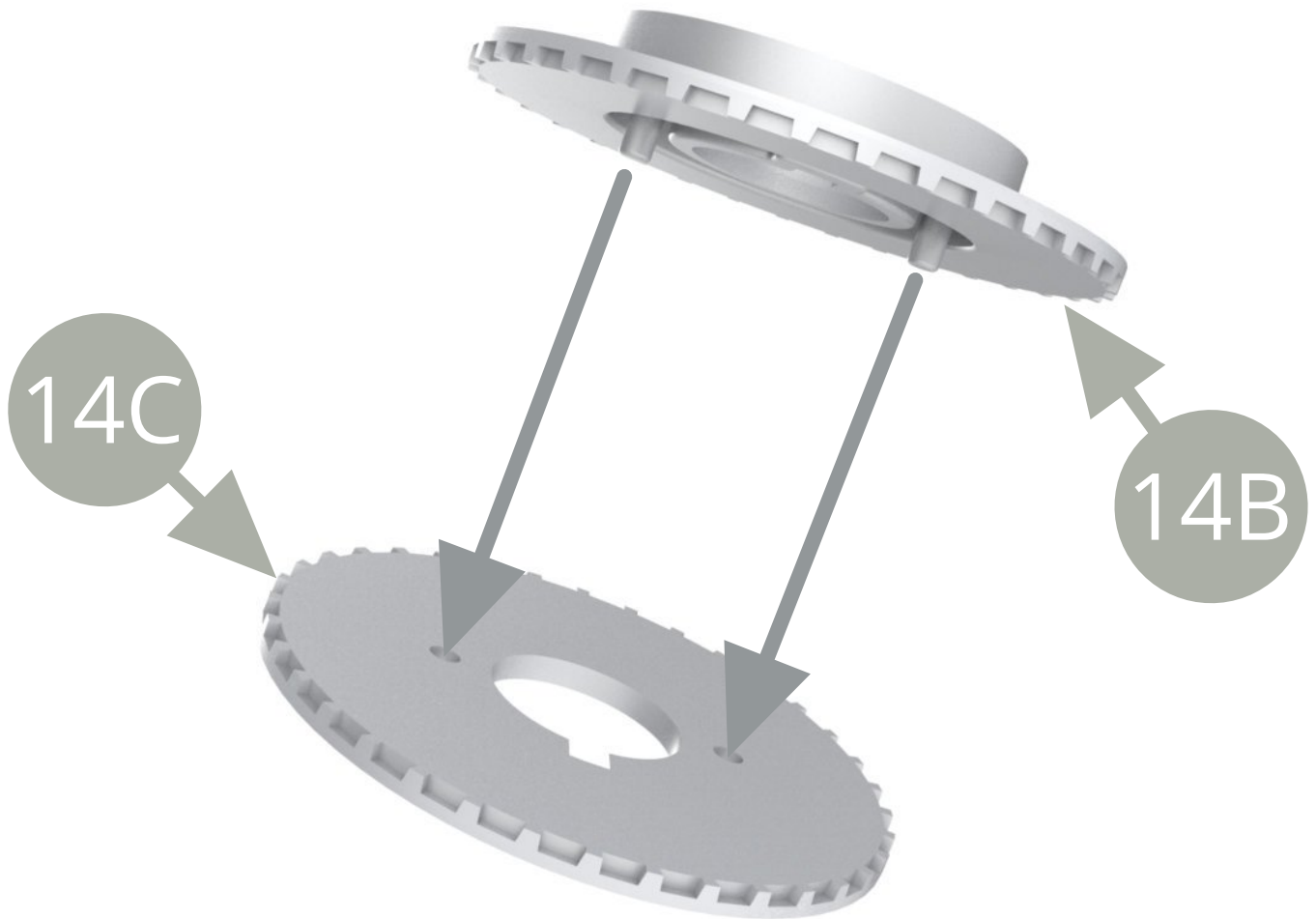
Fit **14D Brake caliper** to **14A Hub carrier** and fix with two **AM screws** .



Fit **14F Front suspension strut** to **14A Hub carrier** and fix with two **GM screws** .



Fit **14G Brake fluid pipe** to **14D Brake caliper** .



Fit together **14B Outer** and **14C Inner**  
**Brake disc parts .**

# Final views



# Assembly drawing

