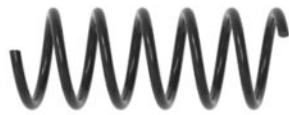




15A



15B



15C



15D



15E



15F



15G



CM



FM

15A Top mounting

15B Coil spring

15C Driveshaft

15D Pivot link

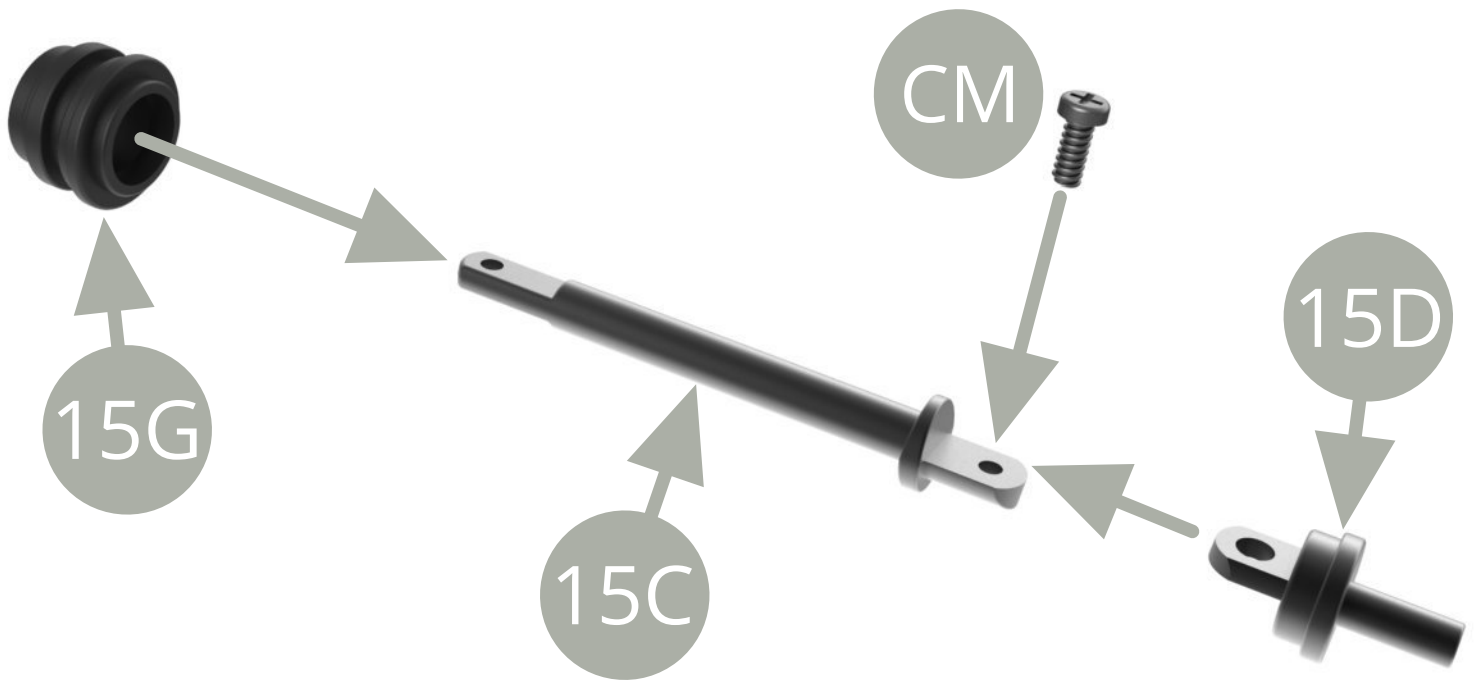
15E Stub axle

15F Rubber bellows

15G Rubber bellows

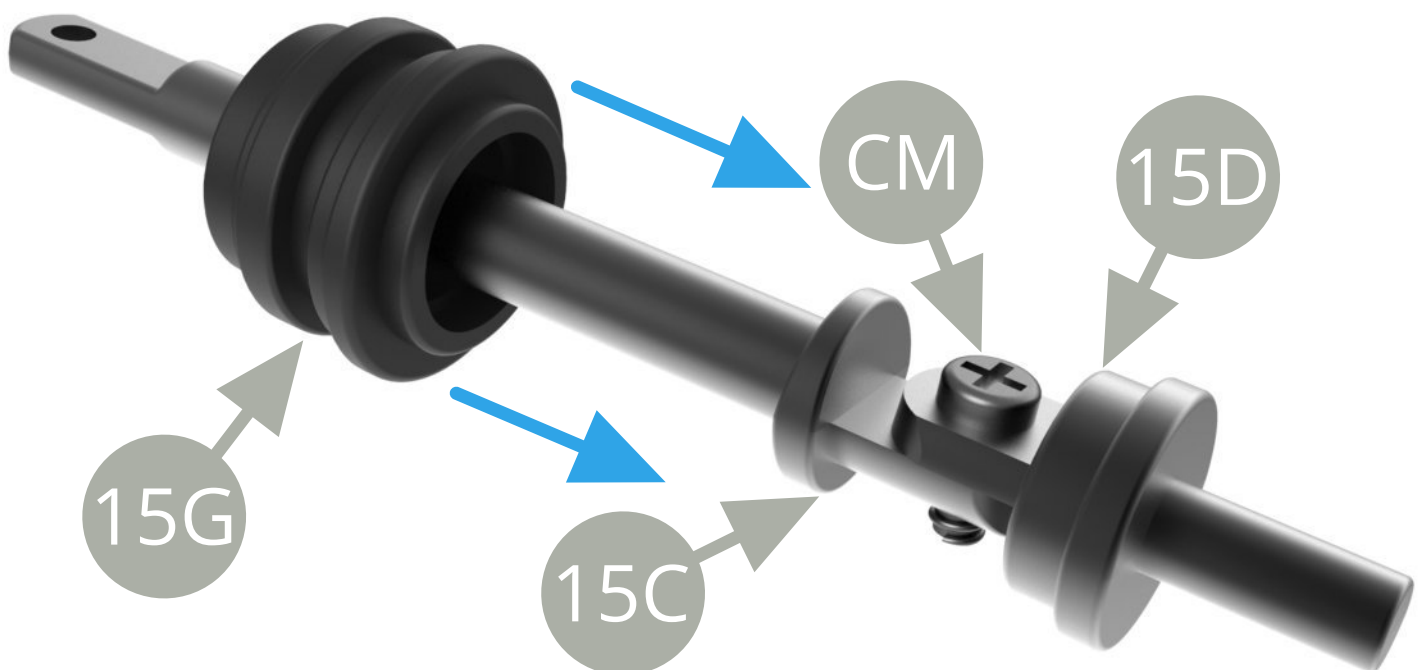
CM M1.7x4 mm (x3)

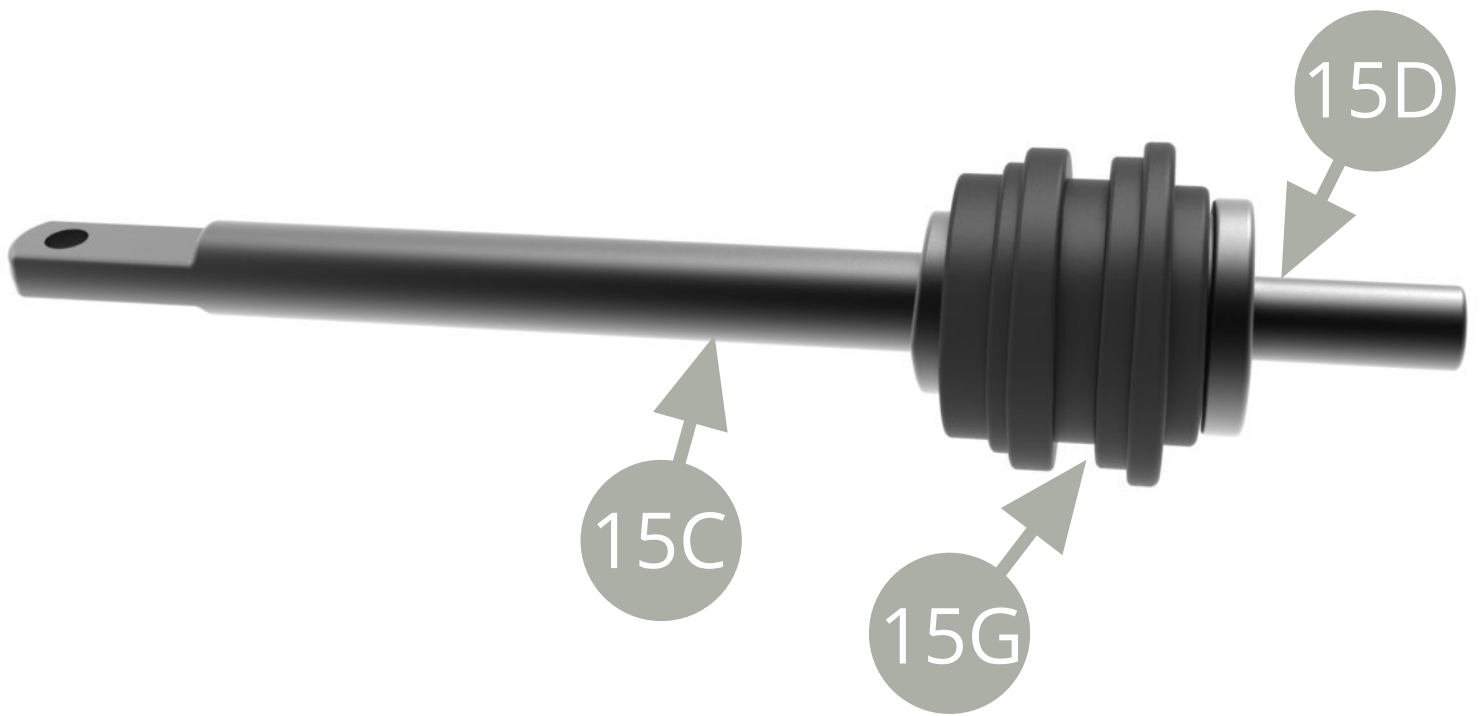
FM M2.3x3x5.5 mm (x2)



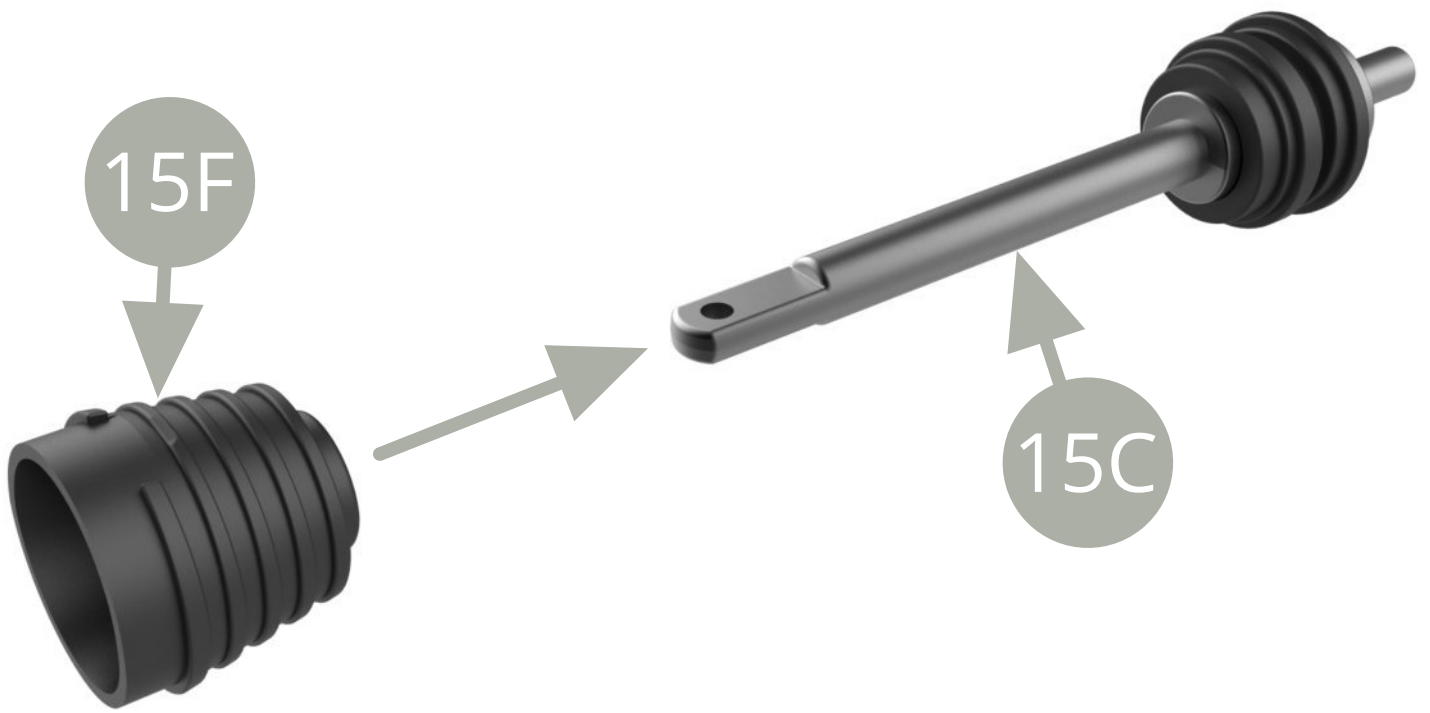
Fit **15D Pivot link** to **15C Driveshaft** and fix with **CM screw** .

Fit **15G Rubber bellows** onto **15C Driveshaft** to cover the joint (**blue arrows motion**), as shown on top and bottom illustrations .

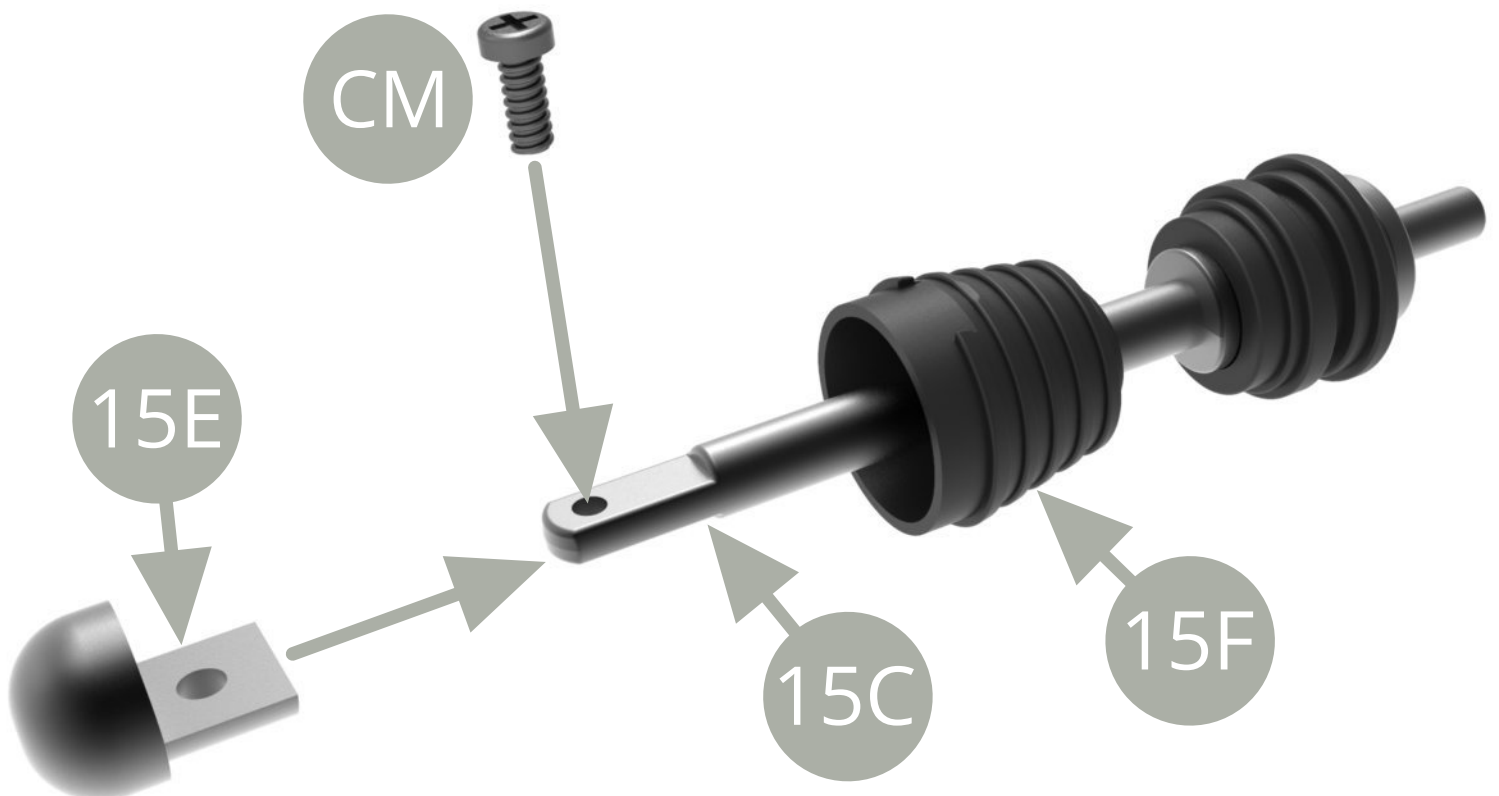




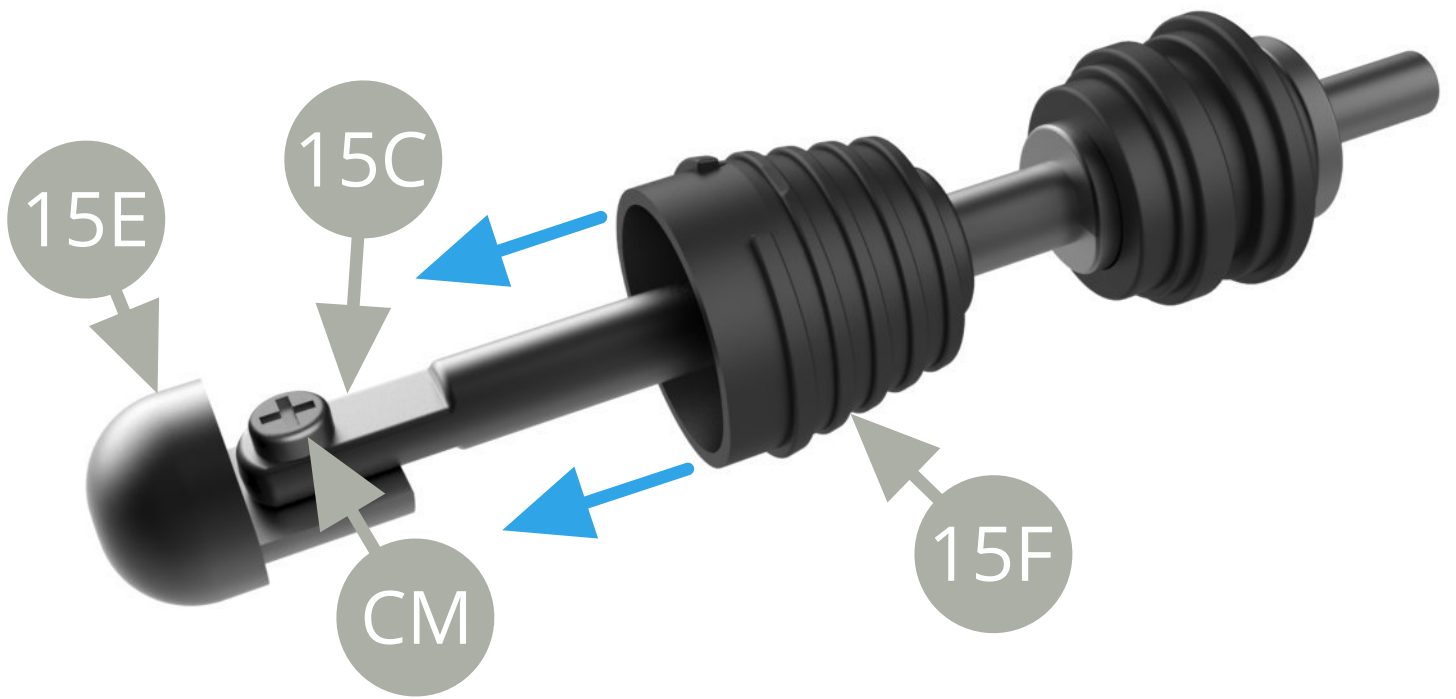
15G Rubber bellows fitted home .



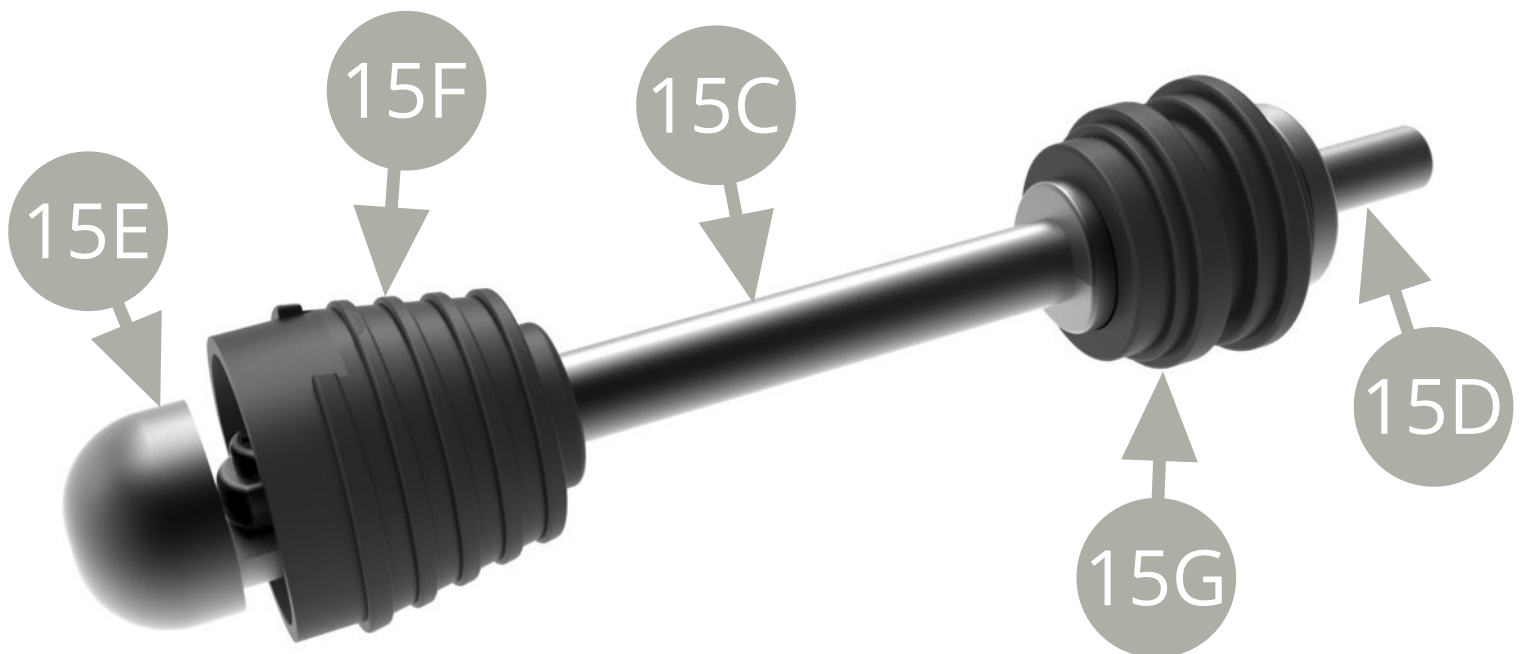
Fit **15F Rubber bellows** onto **15C Driveshaft** .

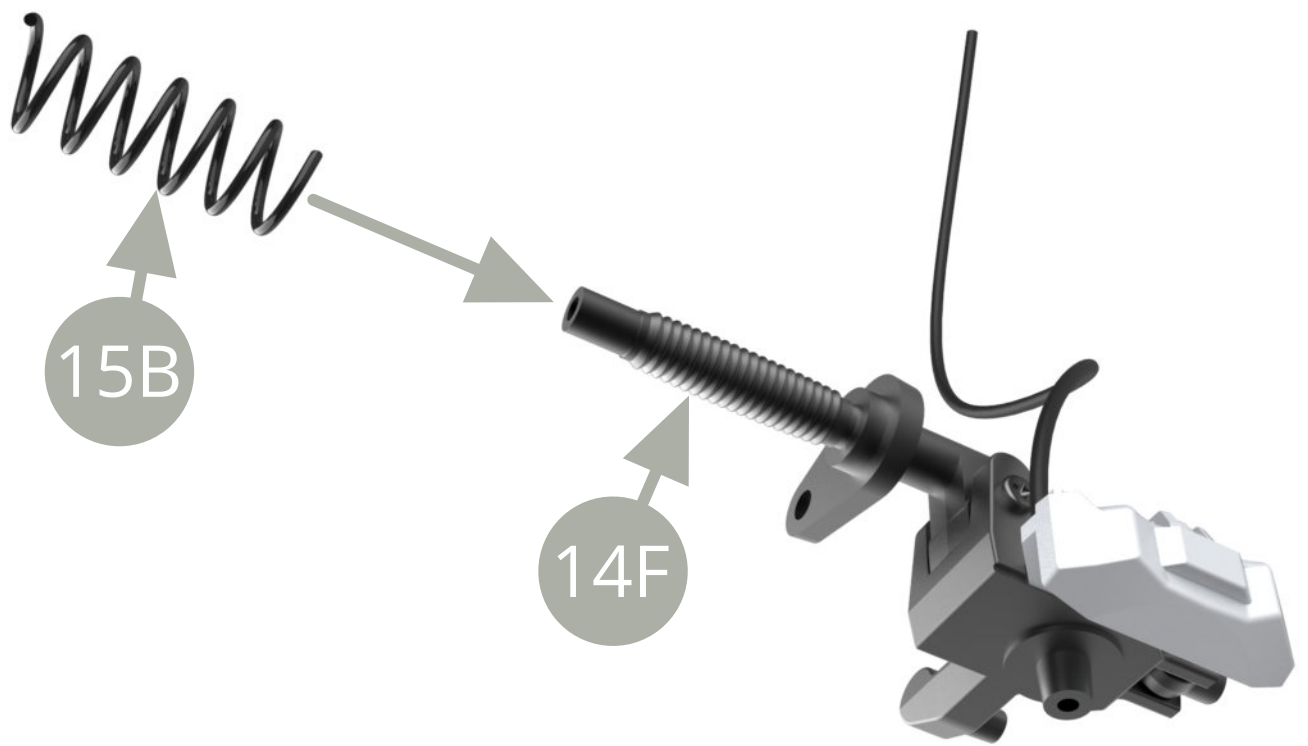


Fit **15E Stub axle** to **15C Driveshaft** and fix with **CM screw** .

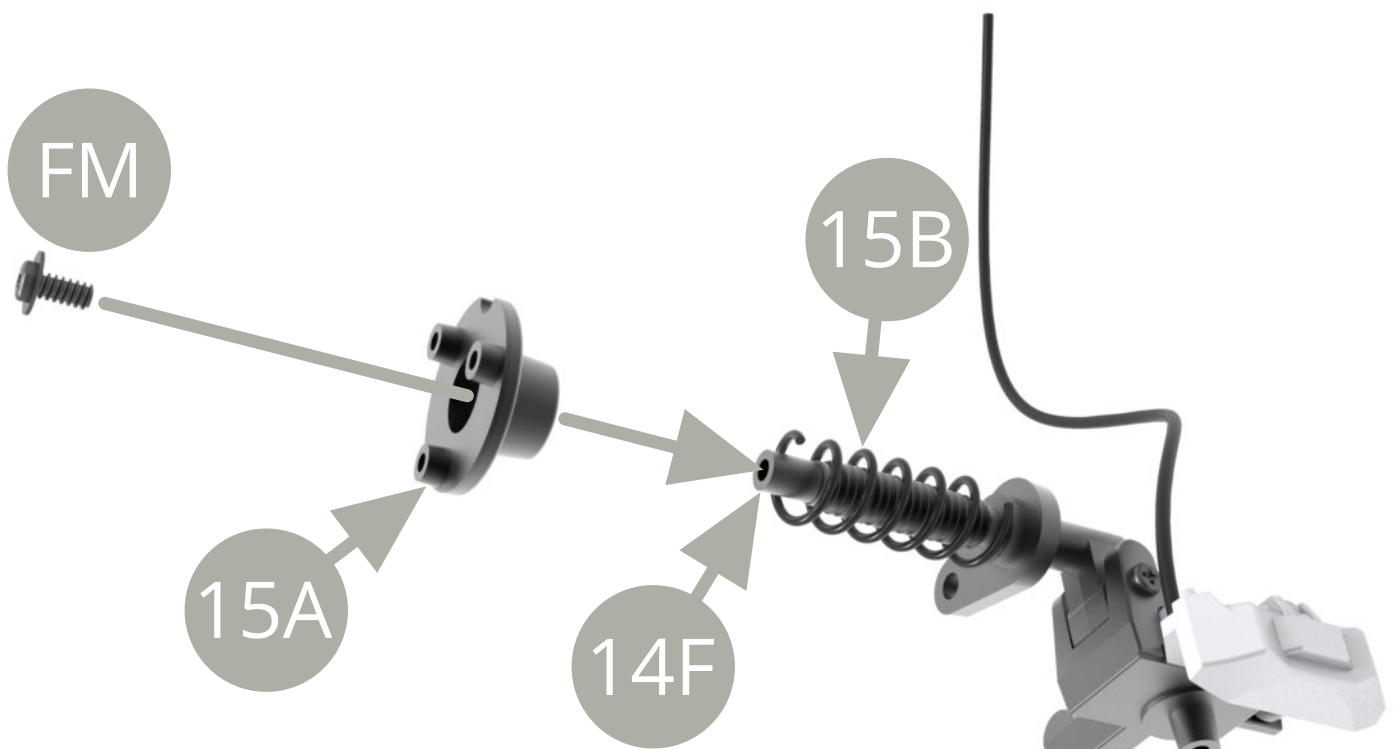


Slide **15F Rubber bellows** along **15C Driveshaft** to cover the joint (**blue arrows motion**).





Fit **15B Coil spring** on **14F Front suspension strut** .



Fit **15A Top mounting** to **14F Front suspension strut** top and fix with **FM screw** .

Do not overtighten **FM screw** , leave rotation freedom for **15A Top mounting** , this will enable better steering function .

Final views .



Assembly drawing .

