

16A Lower suspension arm

16B Subframe

16C Left Trailing link arm

16D Right Trailing link arm

16E Clamp (x2)

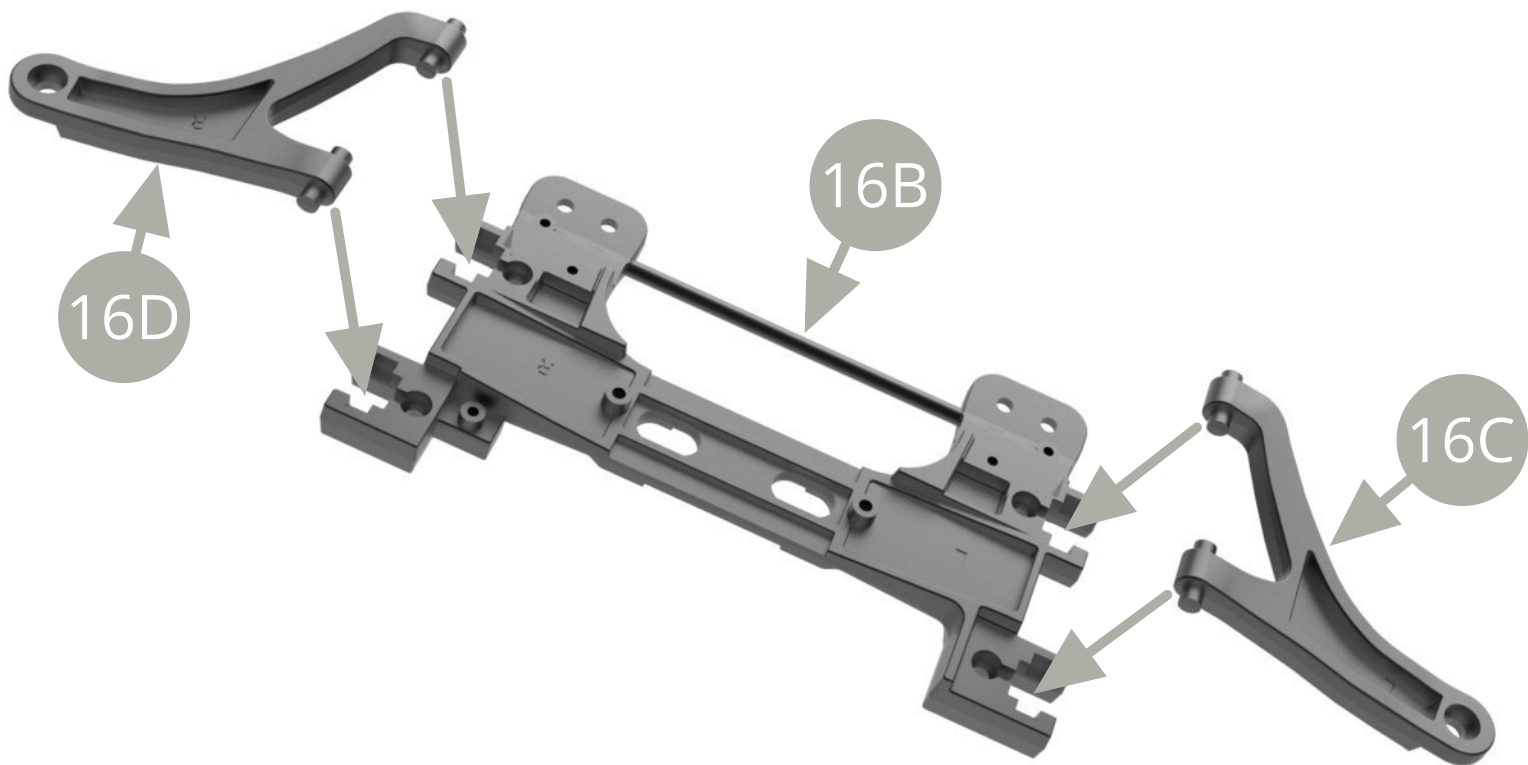
16F Bracket

16G Roller

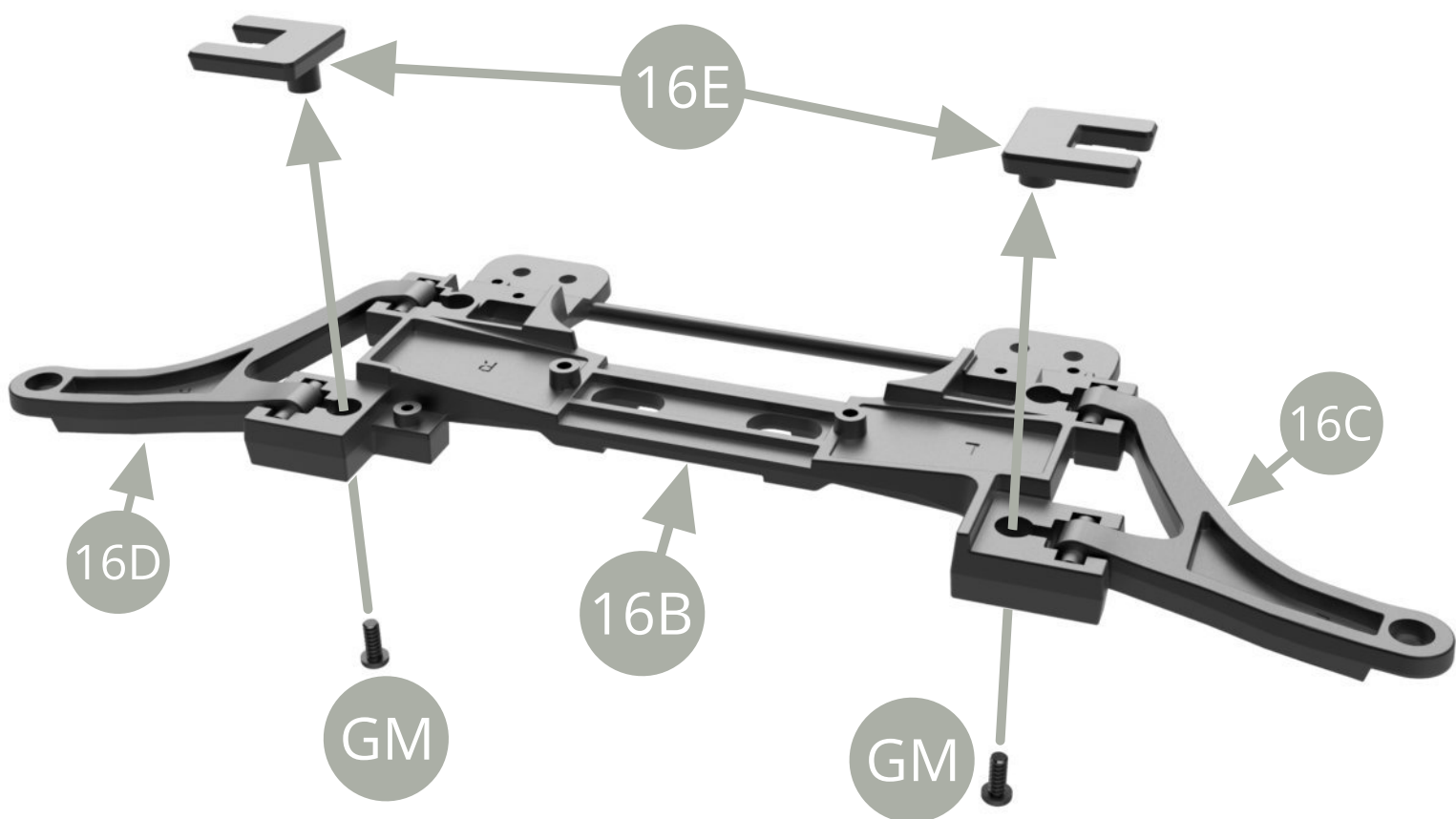
CM 1.7 x 4 mm (x2)

GM 2.0 x 5 mm (x5)

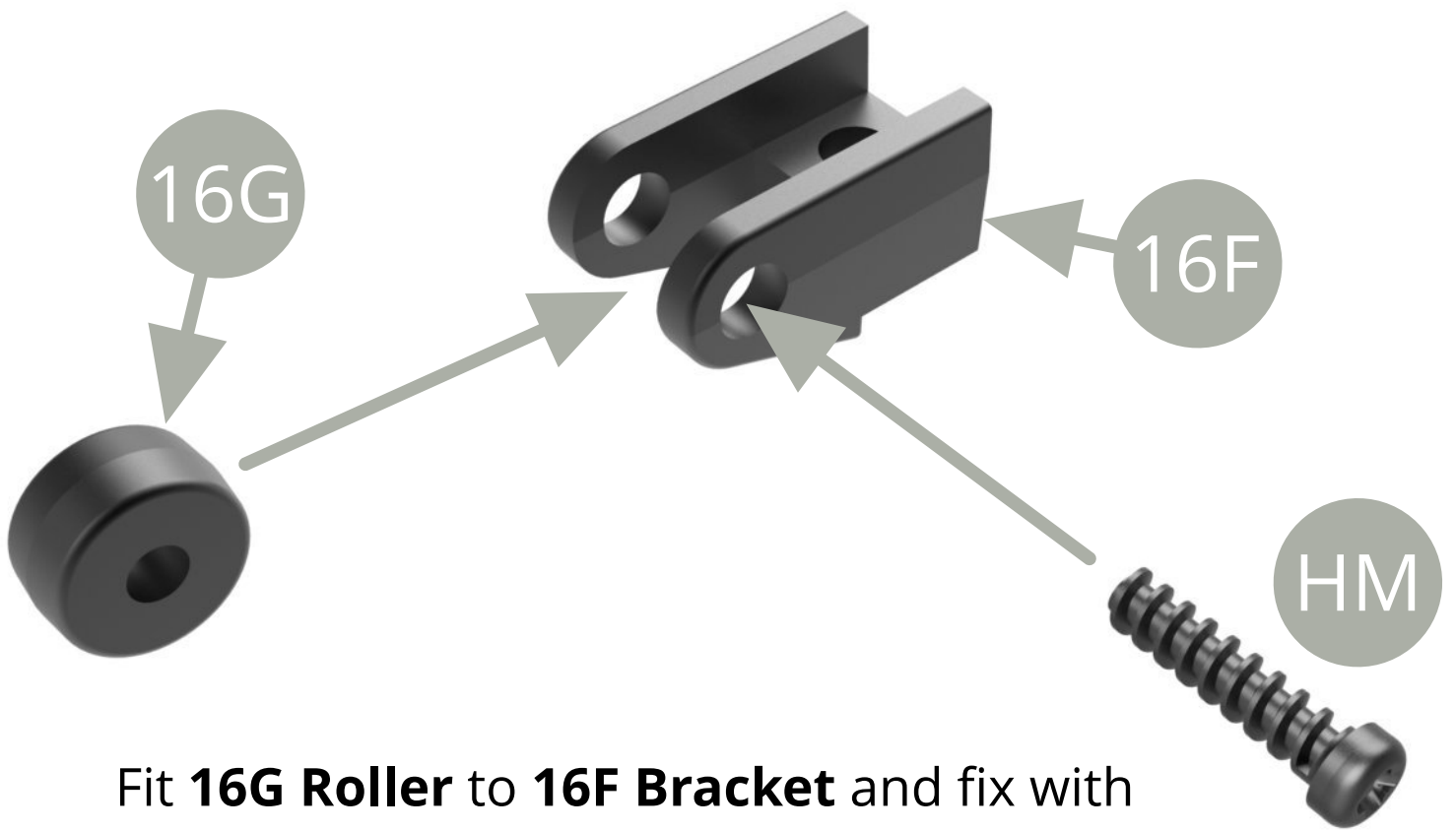
HM 1.7 x 7 mm (x2)



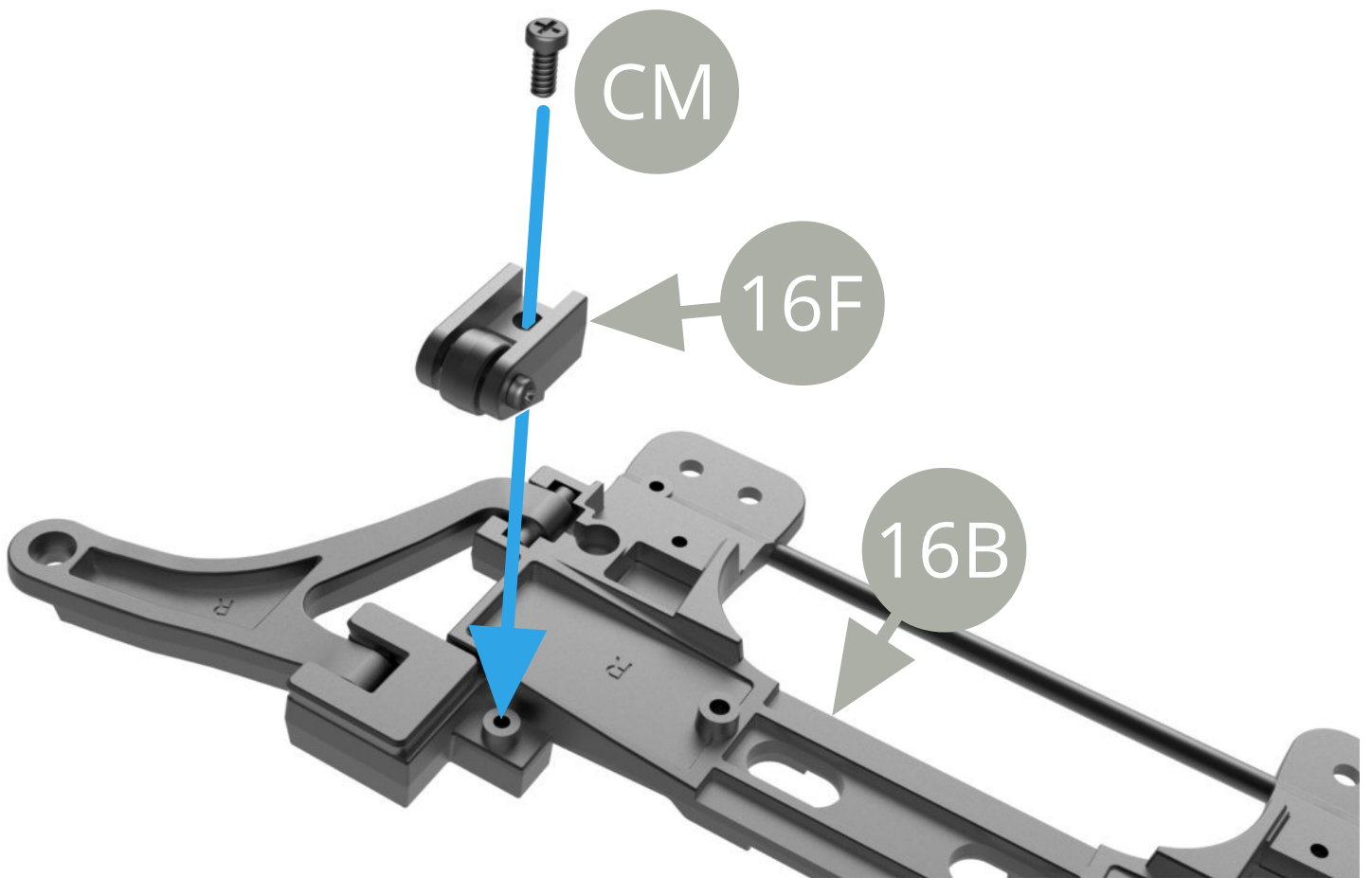
Fit **16C Left** and **16D Right Trailing link arms** to **16B Subframe** .



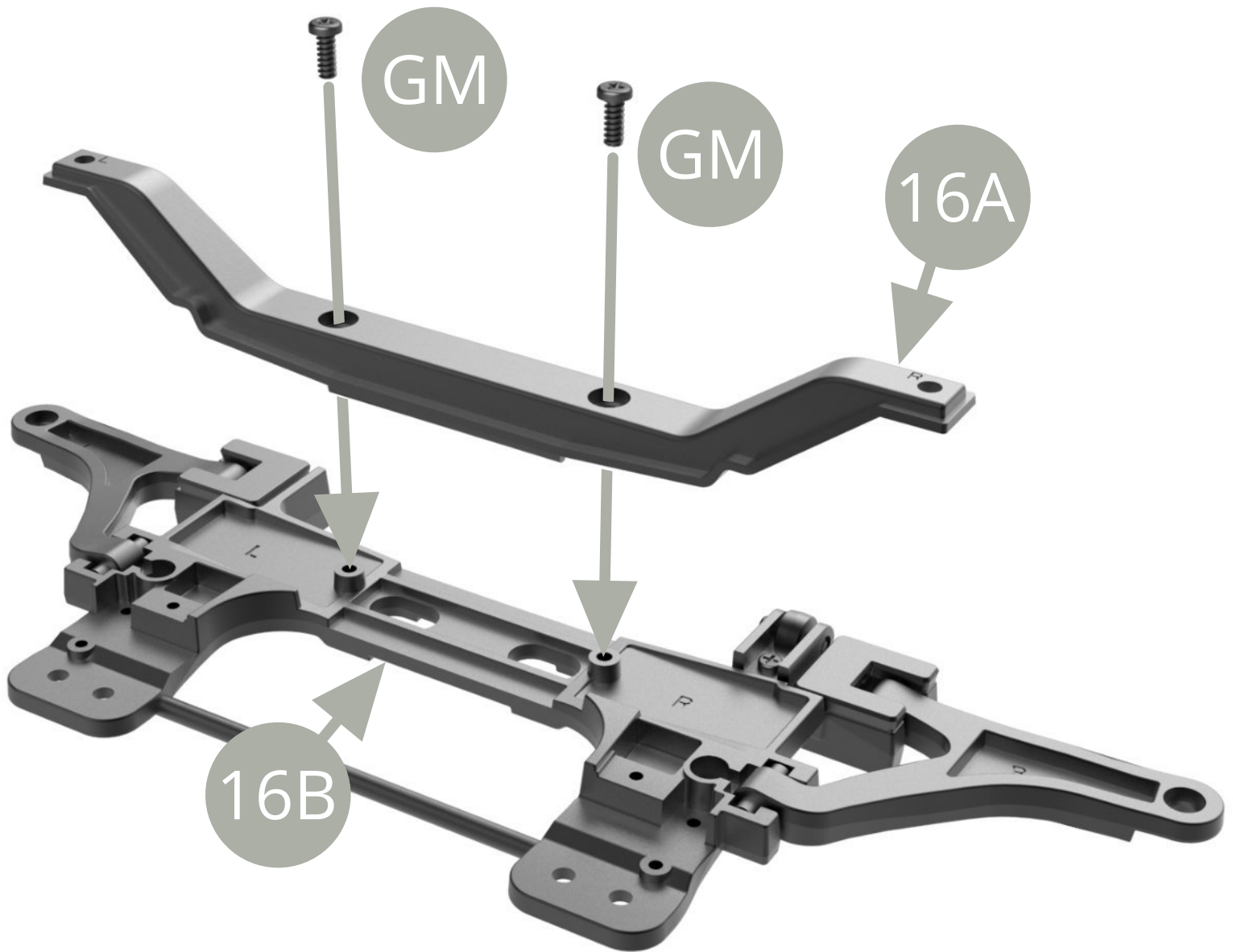
Fit two **16E Clamps** to **16B Subframe** and fix each one with **GM screw** .



Fit **16G Roller** to **16F Bracket** and fix with **HM screw** .

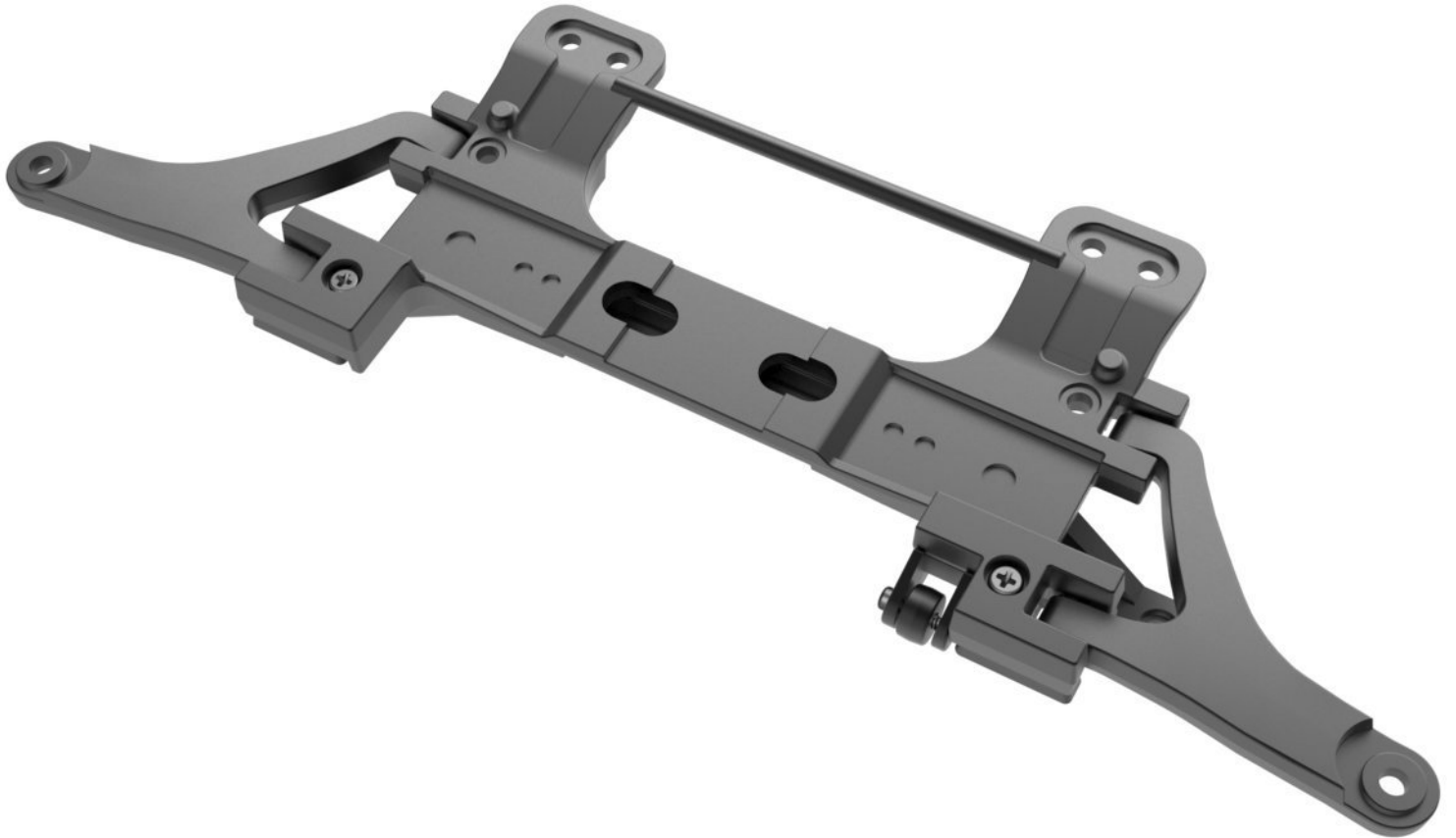
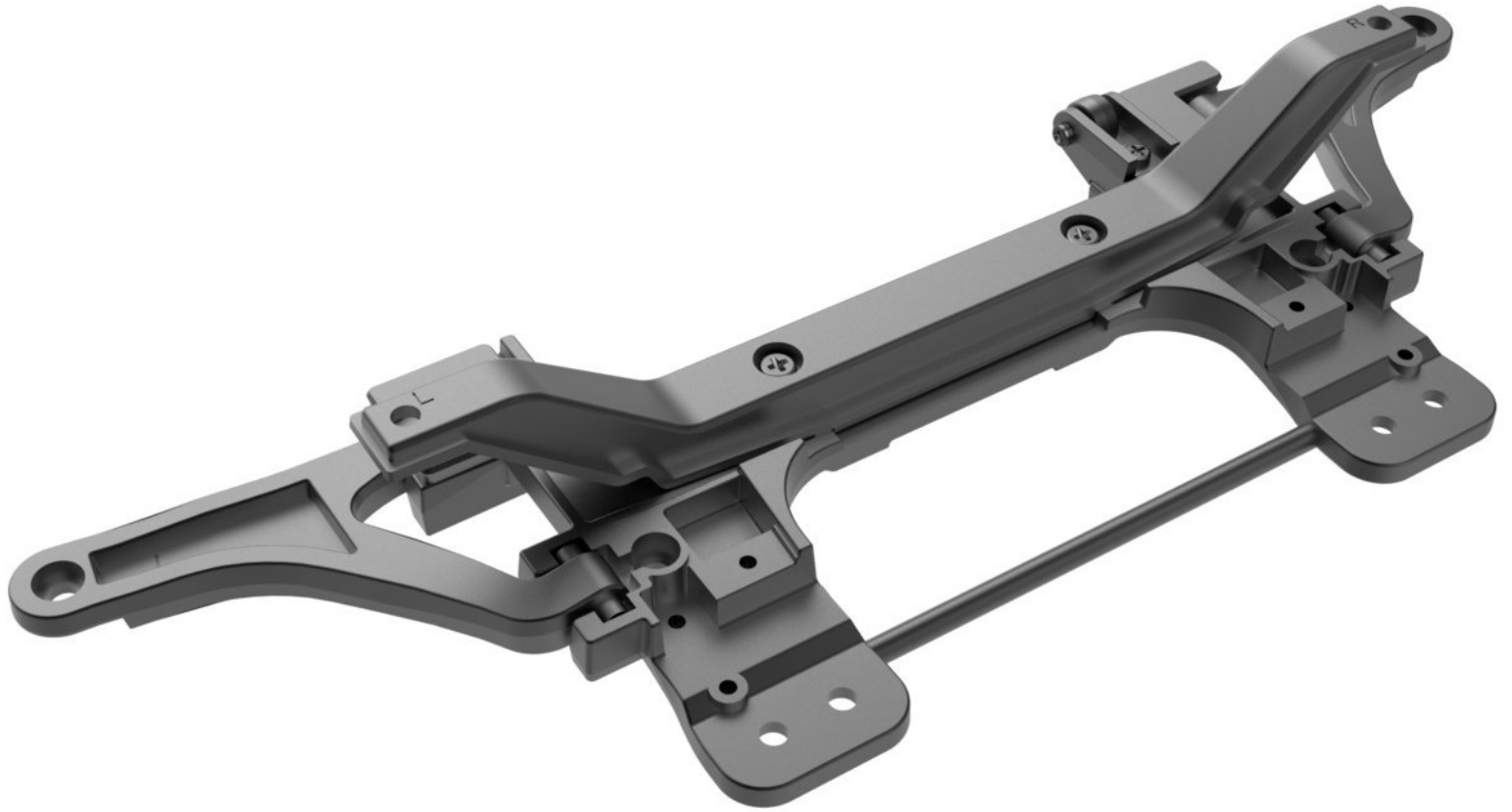


Fit **16F Bracket** to **16B Subframe** and fix with **CM screw** .



Fit **16A Lower suspension arm** to **16B Subframe** and fix with two **GM screws** .

Final views .



Assembly drawing.

