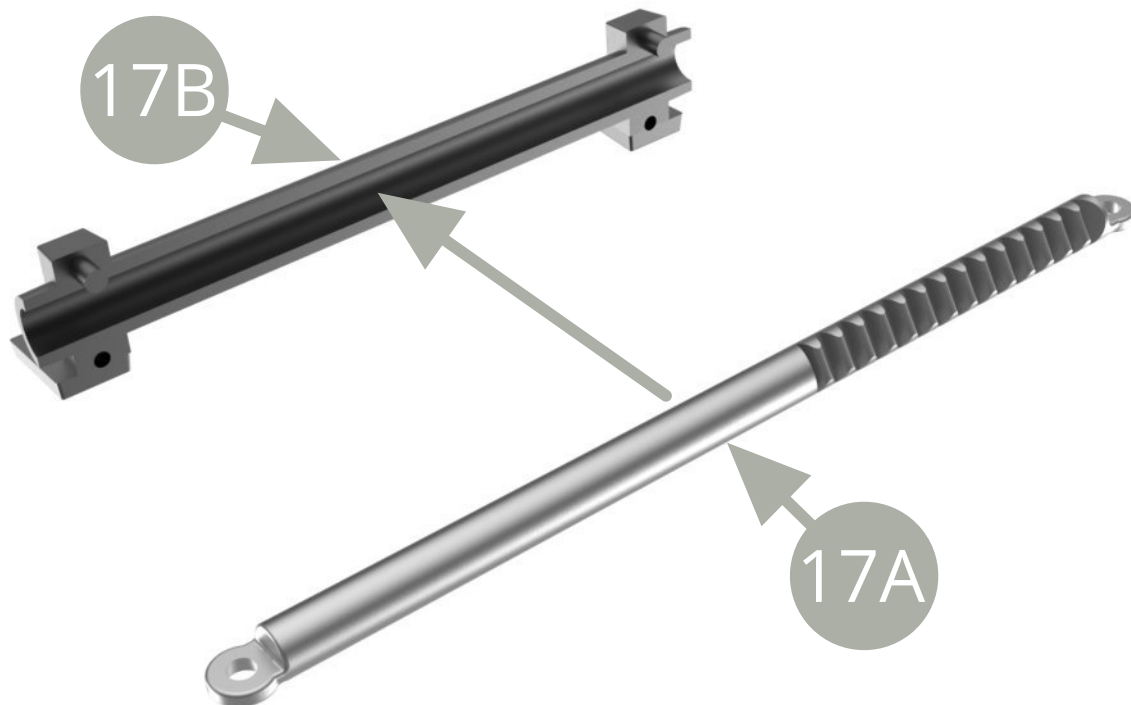


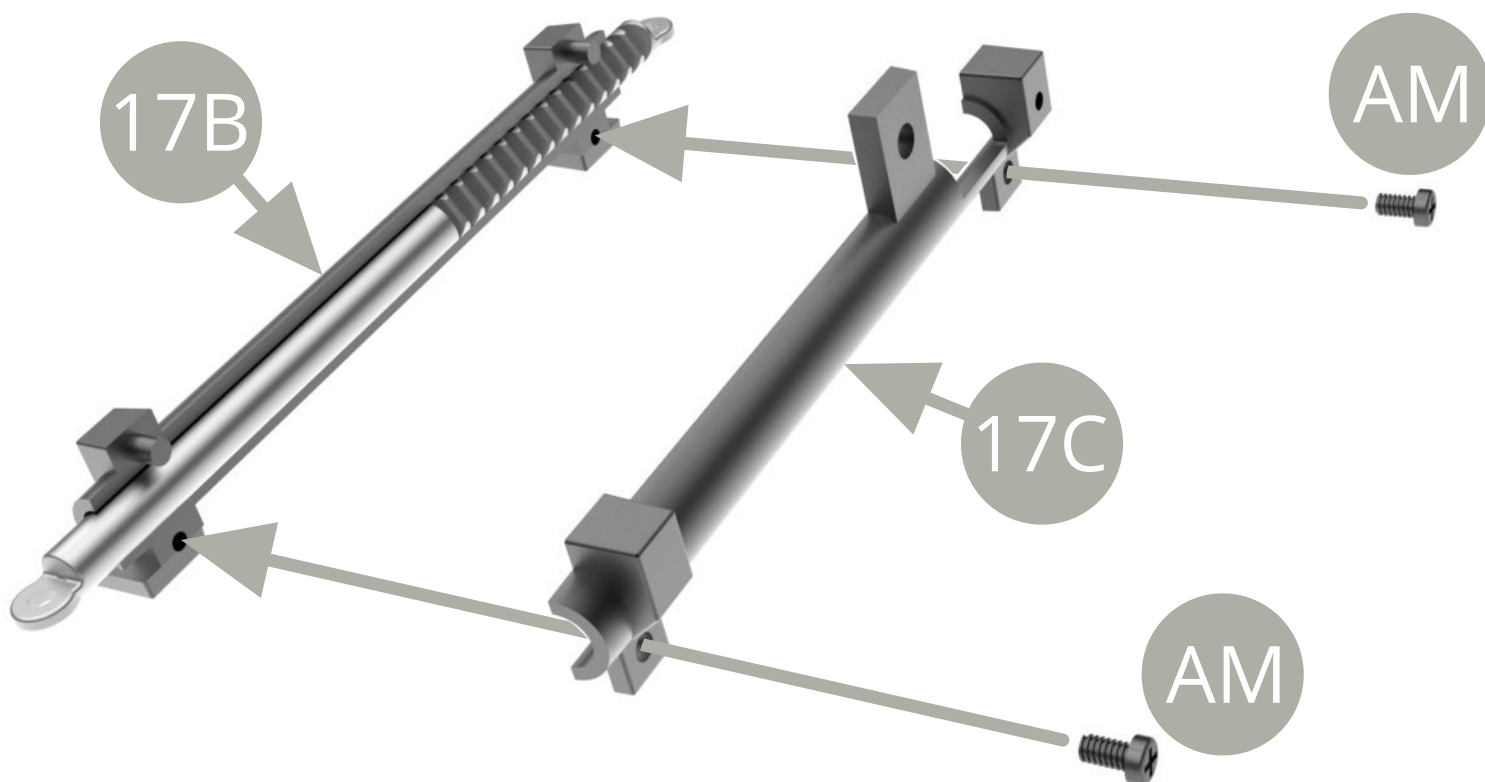
- 17A Steering rack
- 17B Steering column
- 17C Steering column
- 17D Pinion shaft
- 17E Universal joint
- 17F Gear cover
- 17G Intermediate shaft

AM M1.7 x 3 mm (x8)

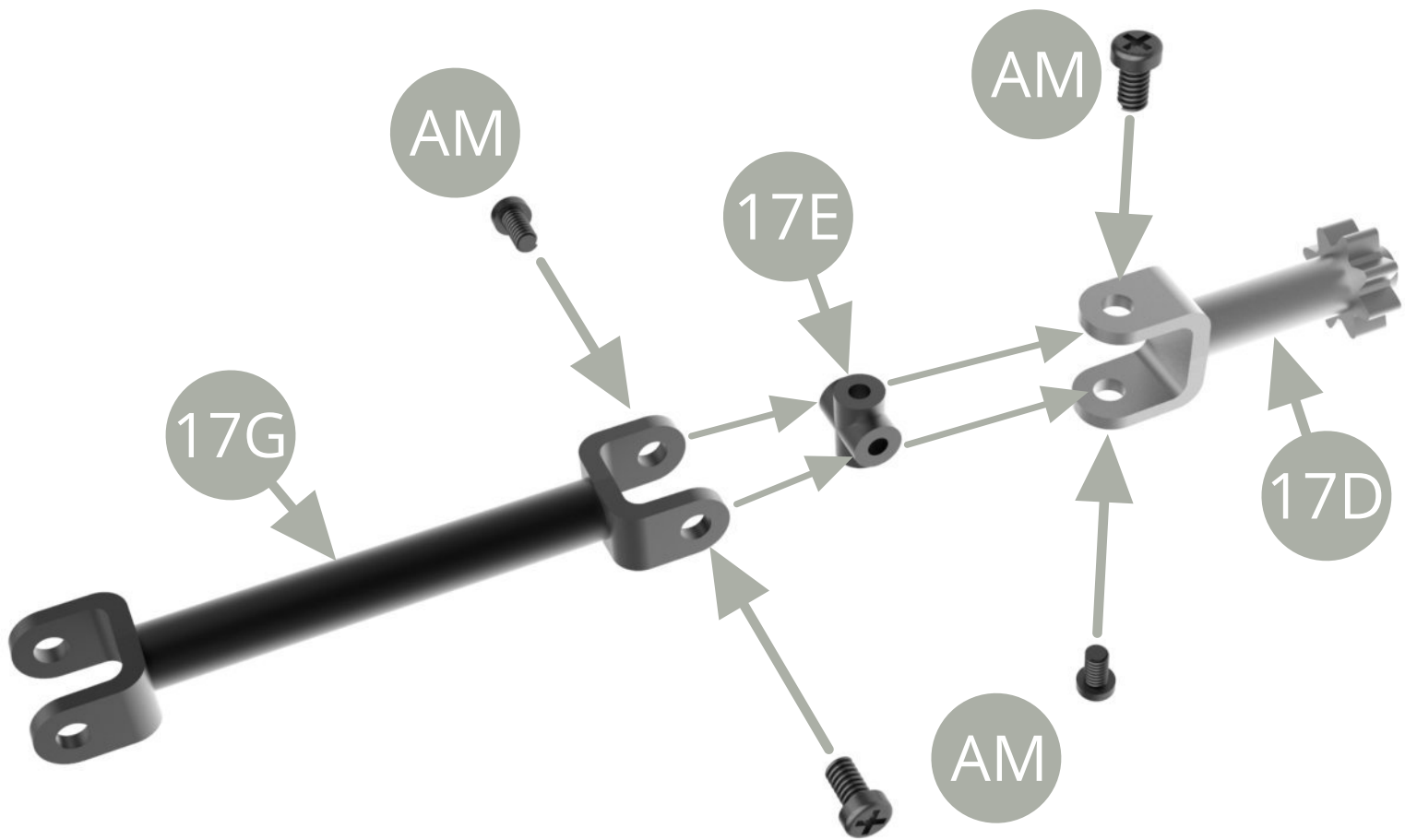
BM M 2.0 x 4 mm (x3)



Fit **17A Steering rack** (both ends horizontal) to the groove of **17B Steering column** , and position in its middle lengthwise .

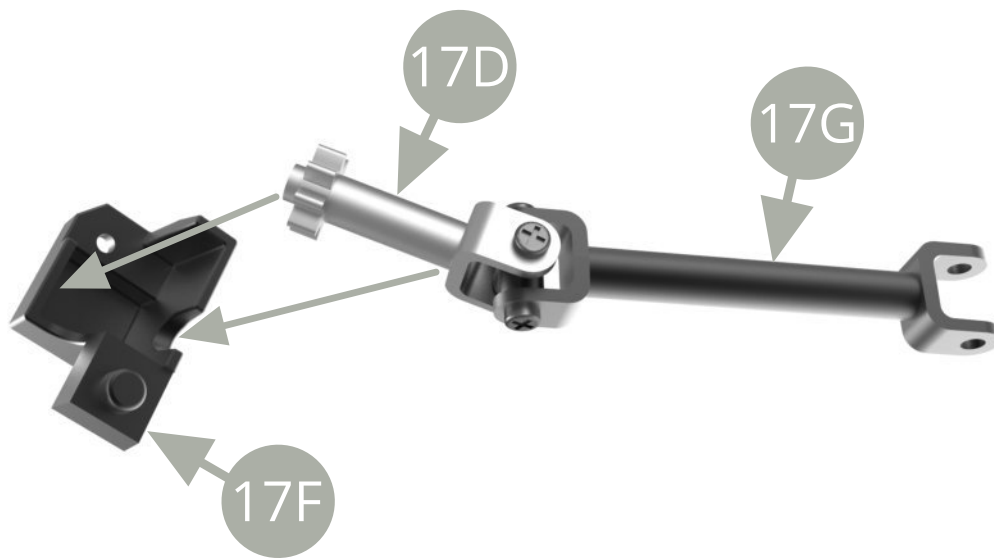


Fit **17C Steering column part** to **17B Steering column part** and fix with two **AM screws** .

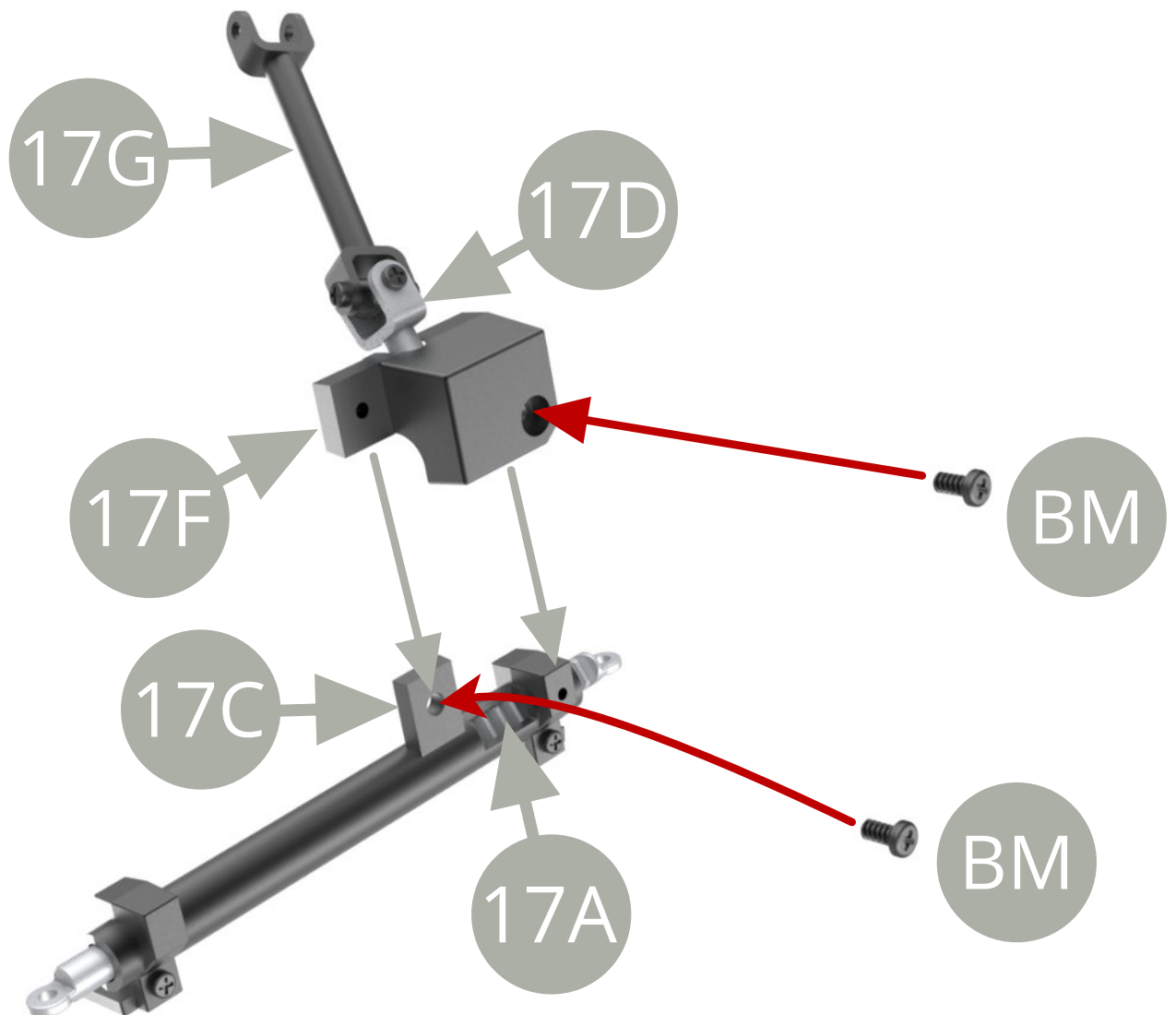


Fit **17E Universal joint** (top-bottom sides) to **17D Pinion shaft** fork and fix with two **AM screws** .

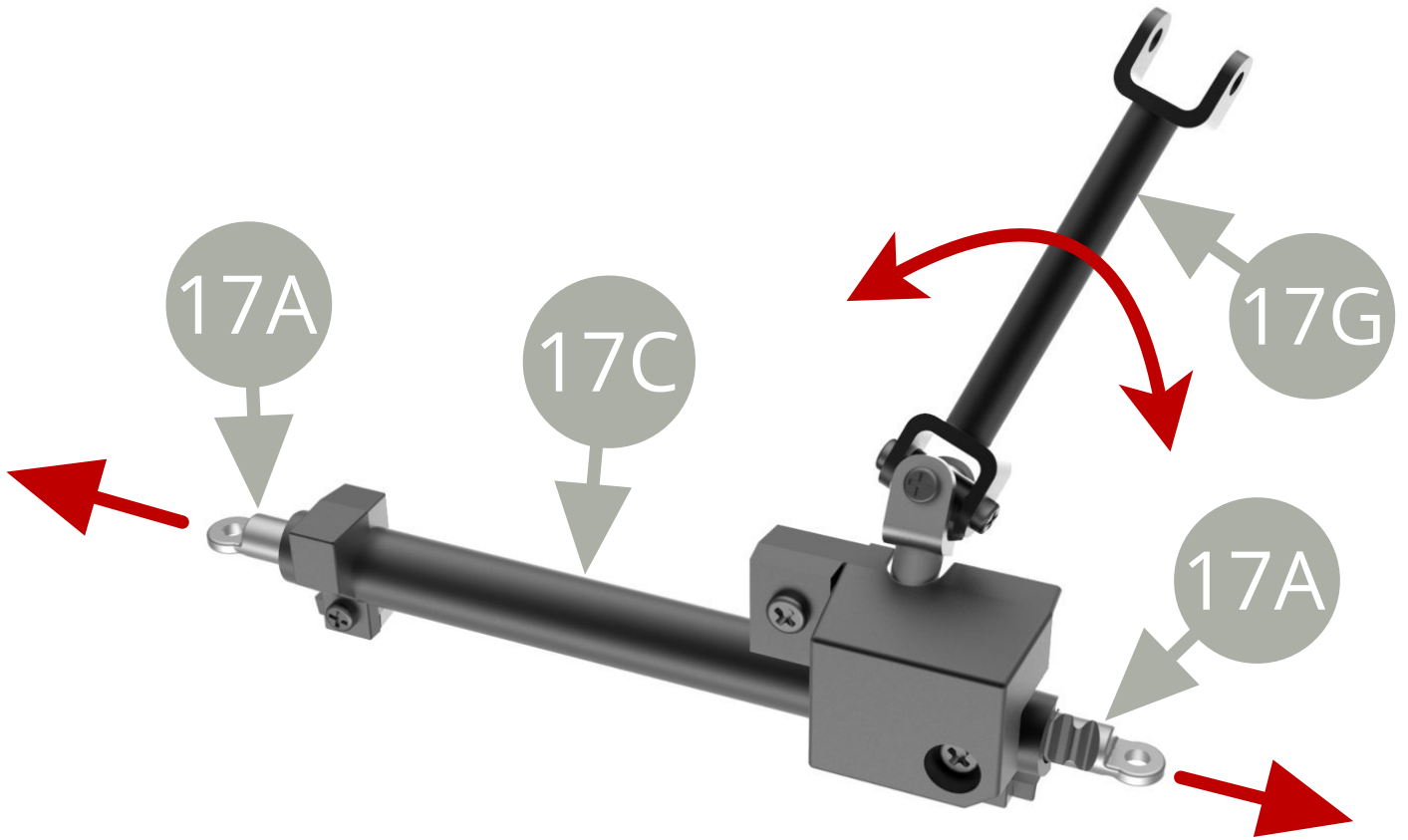
Fit **17G Intermediate shaft** to **17E Universal joint** (unengaged right-left sides) and fix with two **AM screws** .



Fit **17D Pinion shaft** to **17F Gear cover** , holding both together with finger for next assembly movement below .



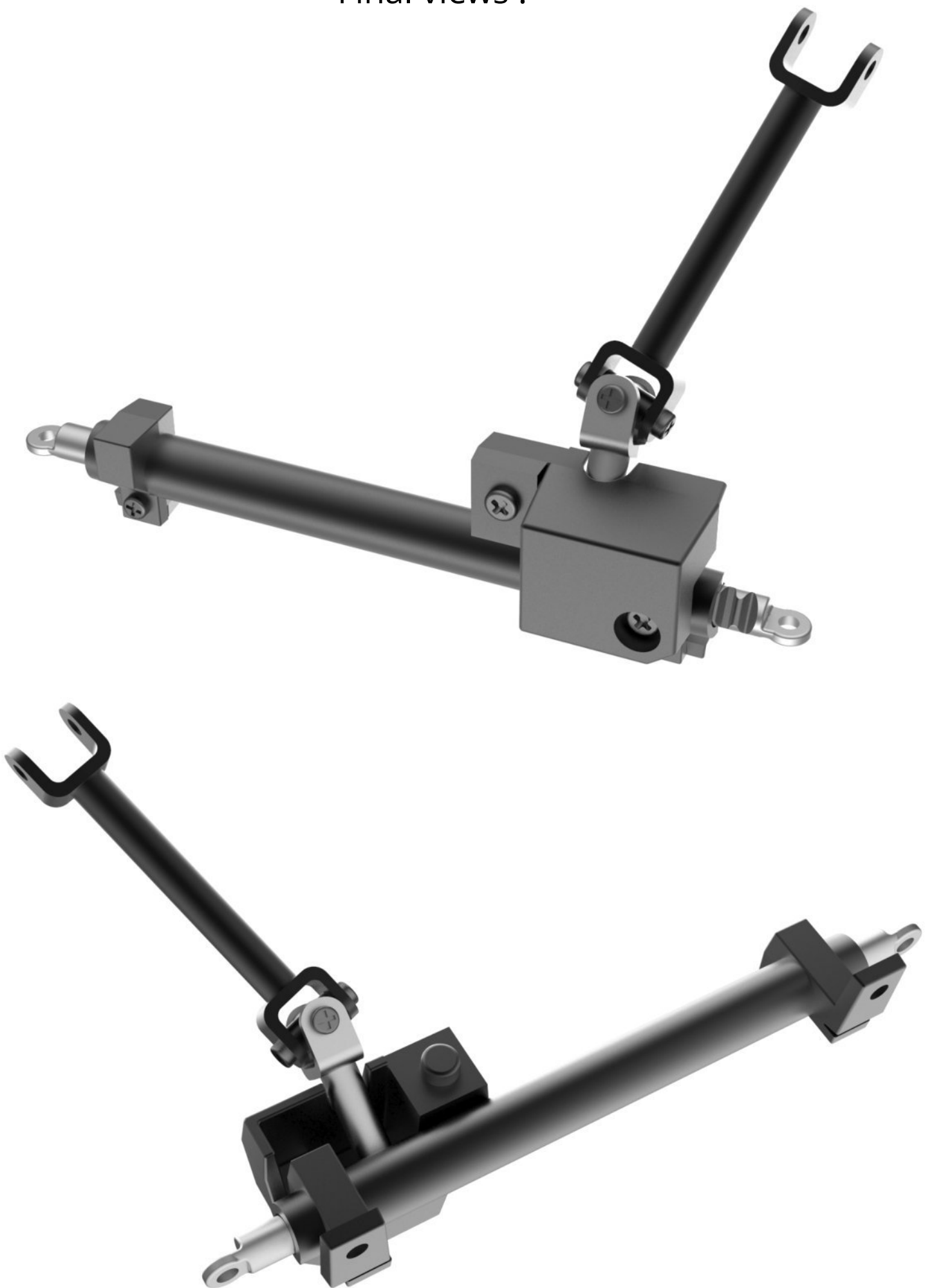
Fit **17F Gear cover** to **17C Steering column** , making sure to engage (mesh) **17D Pinion shaft** with **17A Steering rack teeth** , and fix with two **BM screws** .



The resulting **Steering Gear assembly** should have **17A Steering rack** both ends exiting approximately same distance from **17C Steering column** in neutral / centered position .

Rotate **17G Intermediate shaft** left / right to check respective **17A Steering rack** movement function .

Final views .



Assembly drawings .

