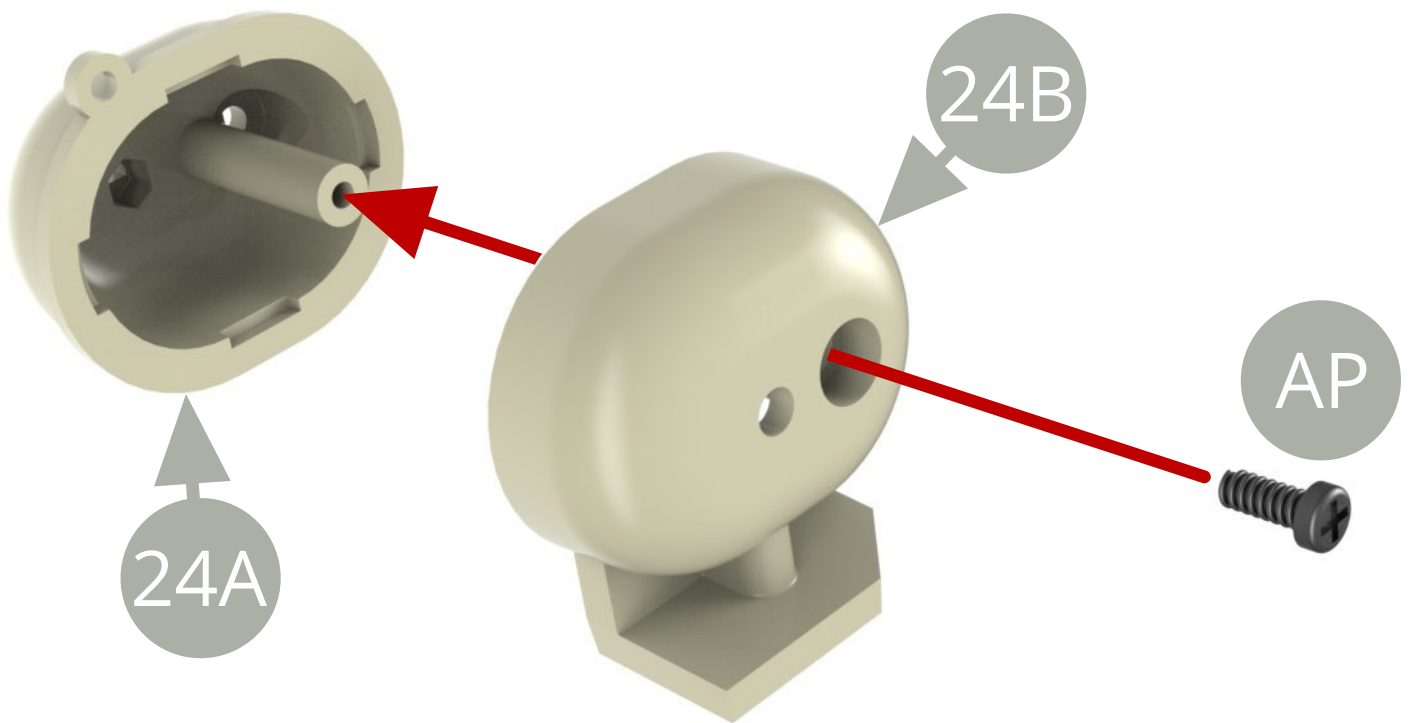
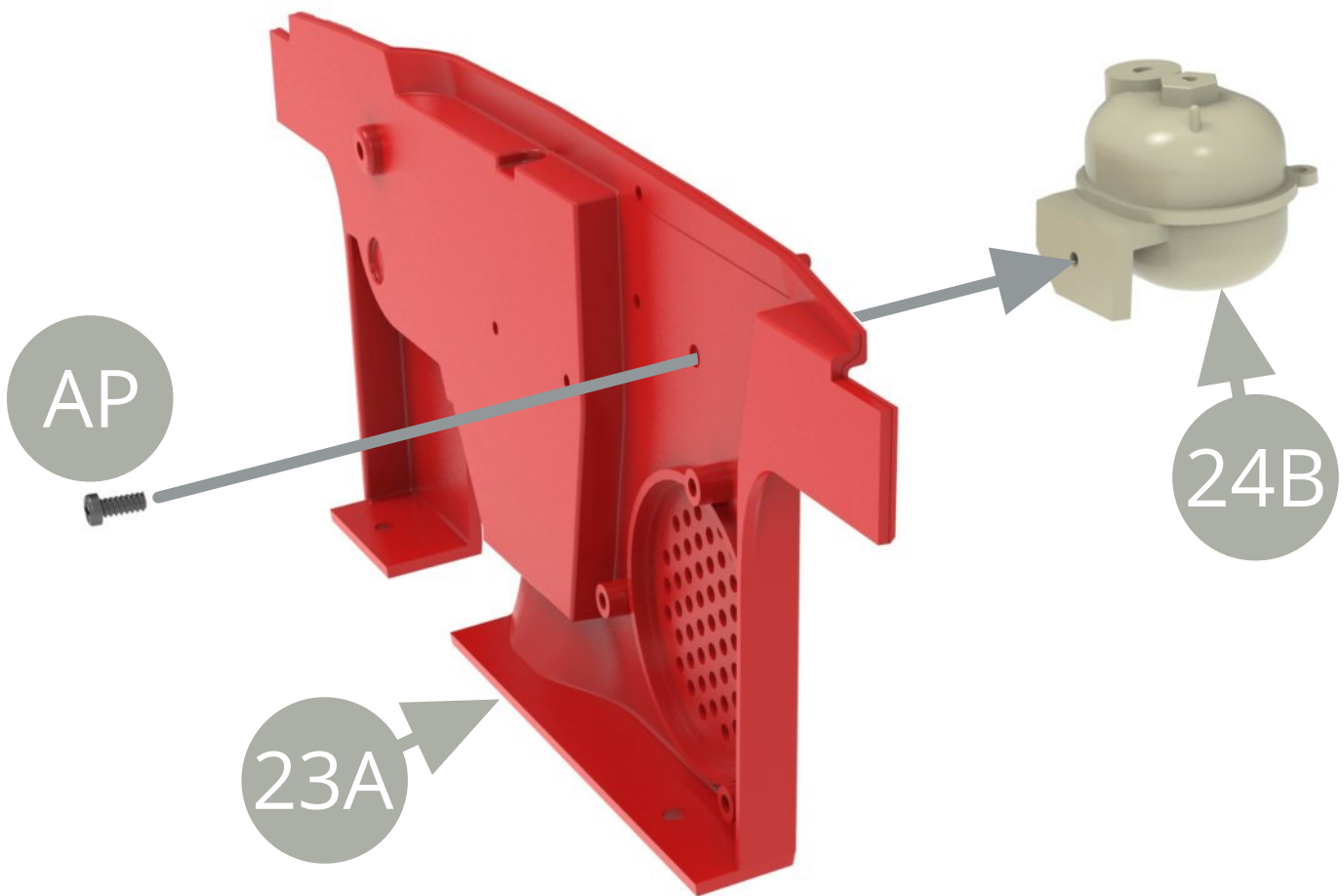


- 24A Coolant expansion bottle top
- 24B Coolant expansion bottle bottom
- 24C Cap
- 24D Coolant level sensor
- 24E Coolant level sensor pipe
- 24F Coolant overflow hose
- 24G Radiator coolant hose
- 24H Engine block coolant hose
- 24I Engine wiring loom

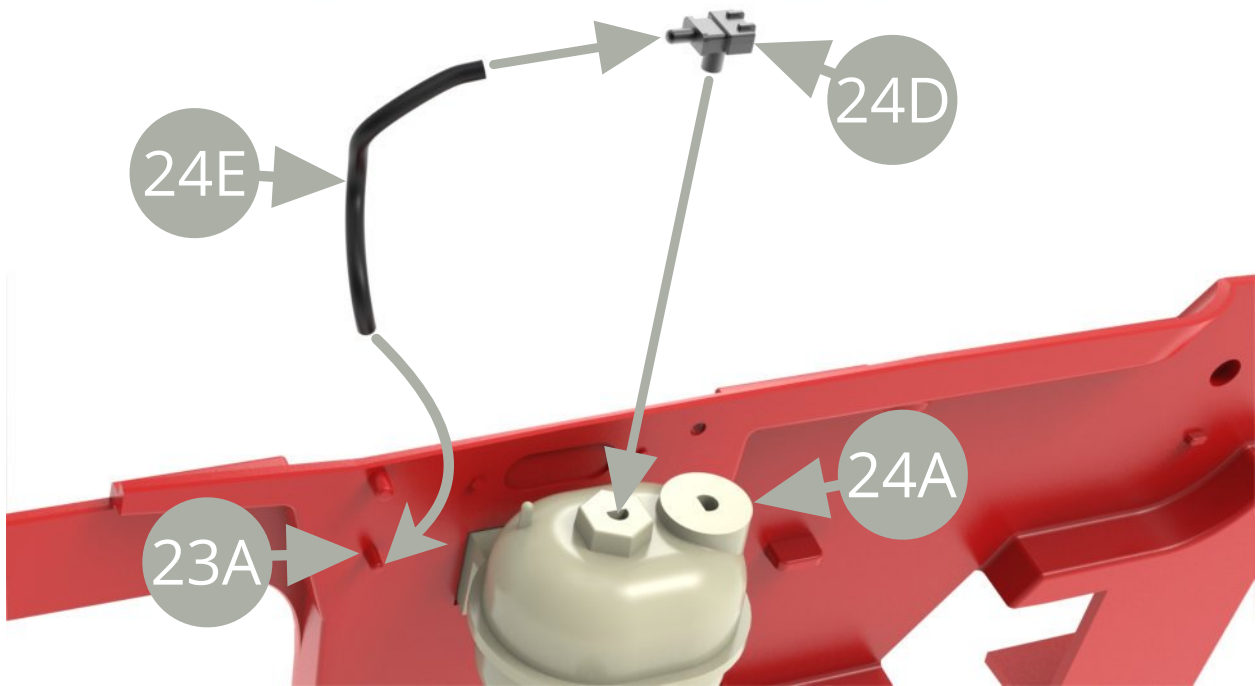
- AP M1,7 x4mm (x3)



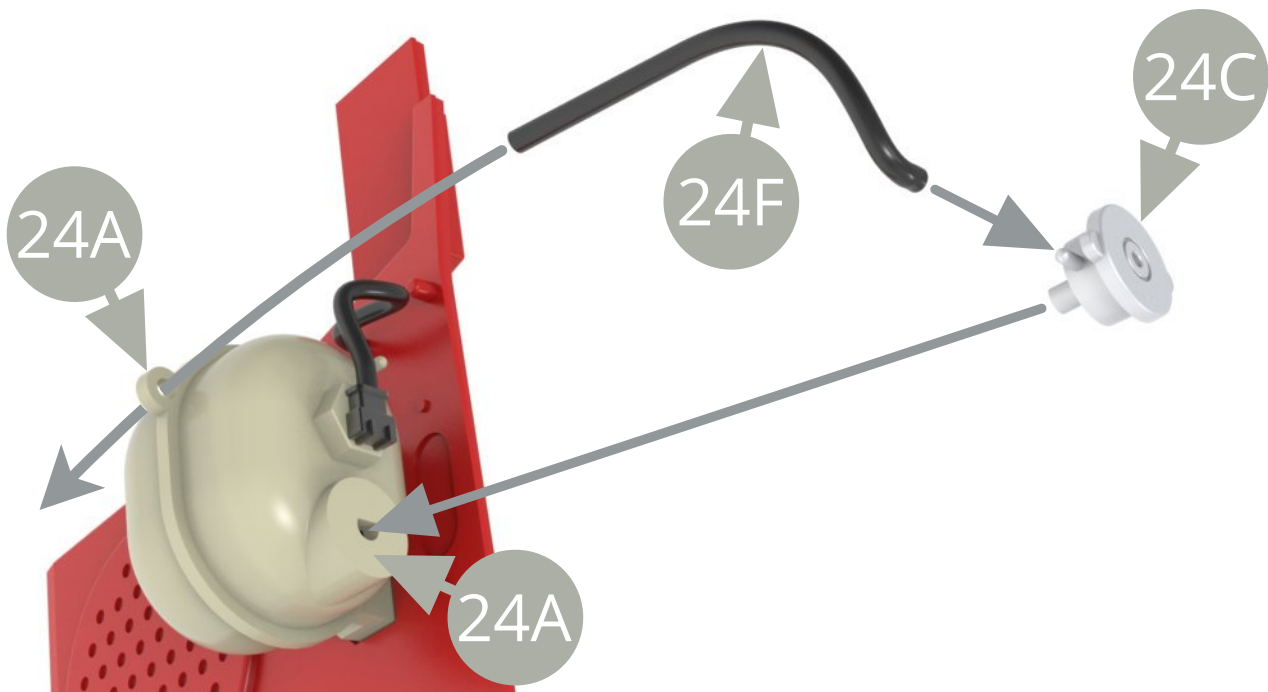
Fit together **24A** and **24B** Coolant expansion bottle Top and **Bottom** and fix with **AP** screw .



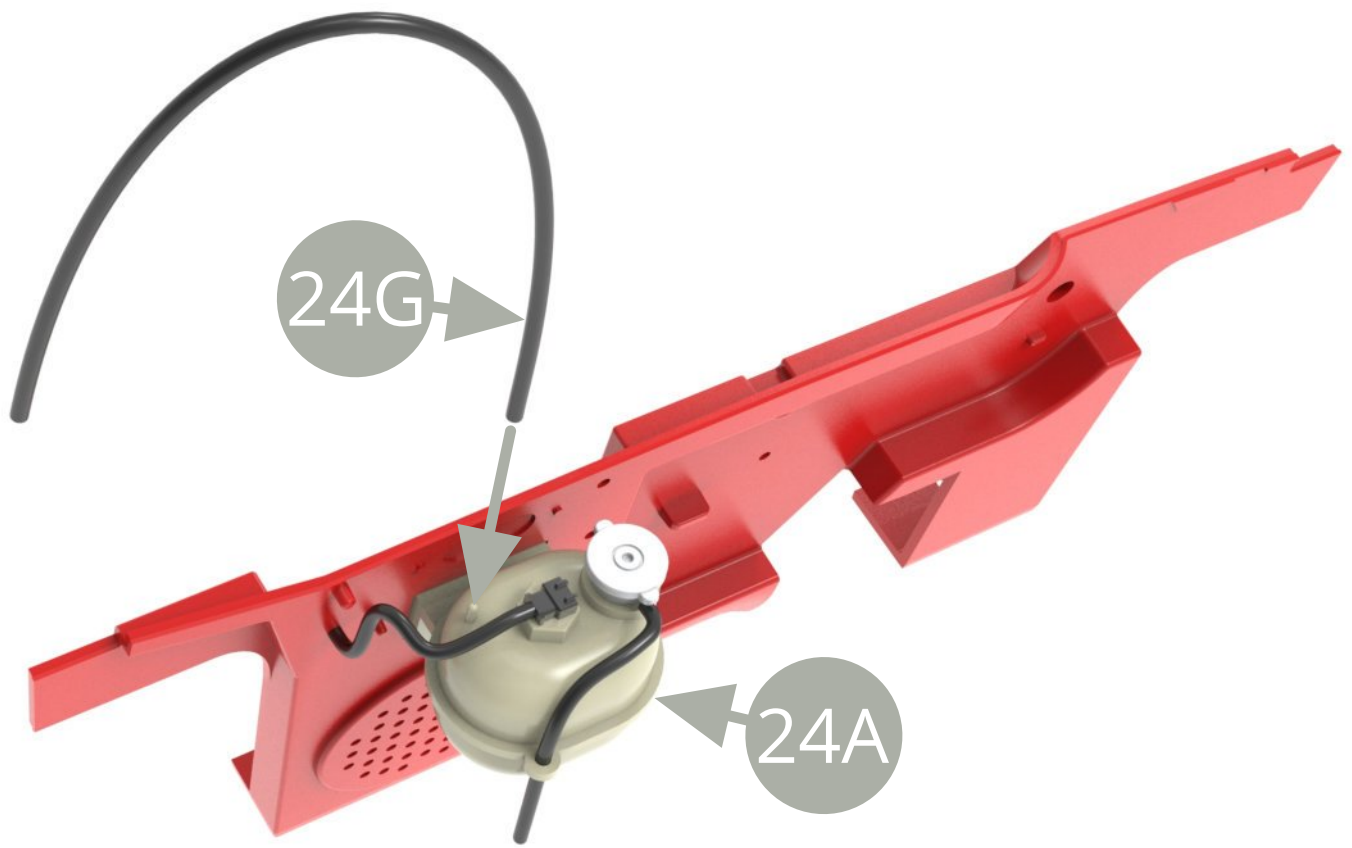
Fit **24B** Coolant expansion bottle bottom to **23A** Firewall and fix with **AP** screw .



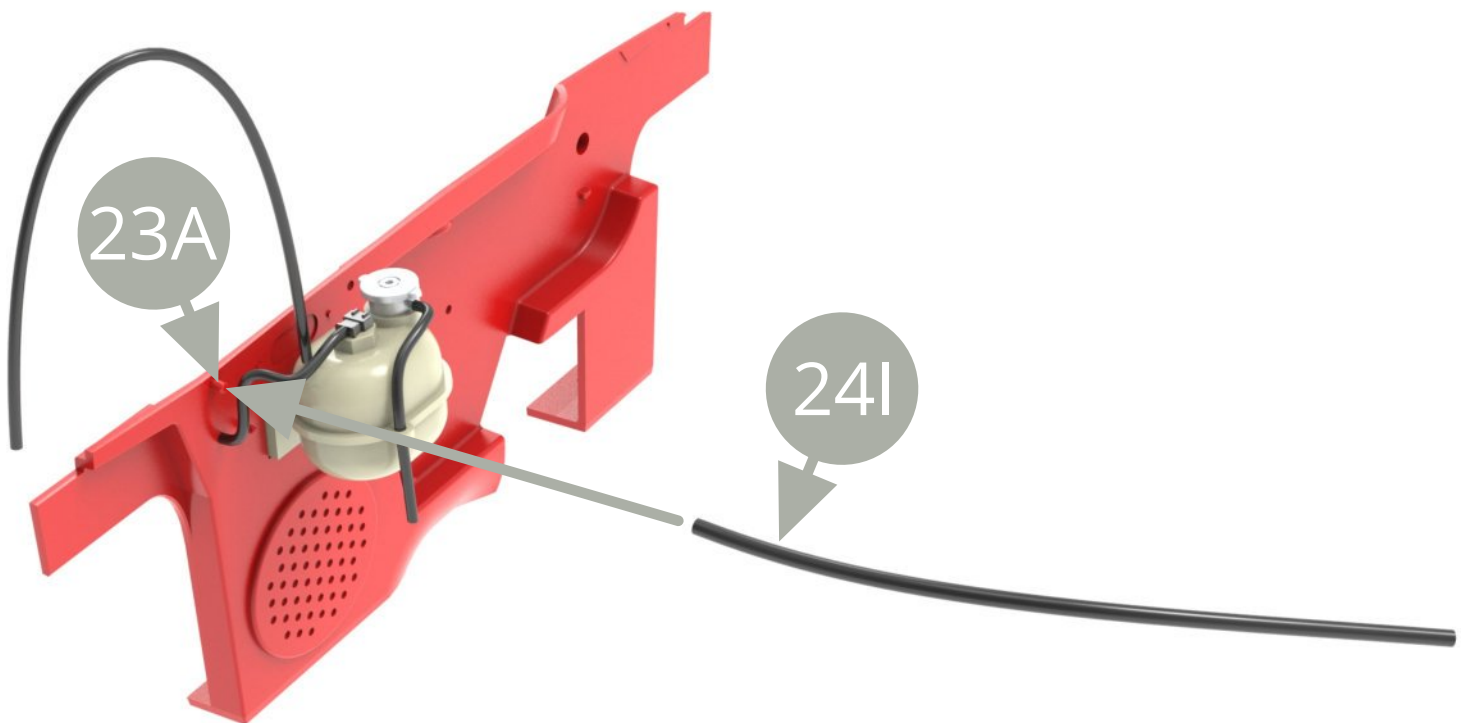
Fit one end of **24E Coolant level sensor pipe** to **24D Coolant level sensor** , fitting the latter to **24A Coolant expansion bottle top** , and free end of **24E Coolant level sensor pipe** to lower **nozzle** on **23A Firewall** .



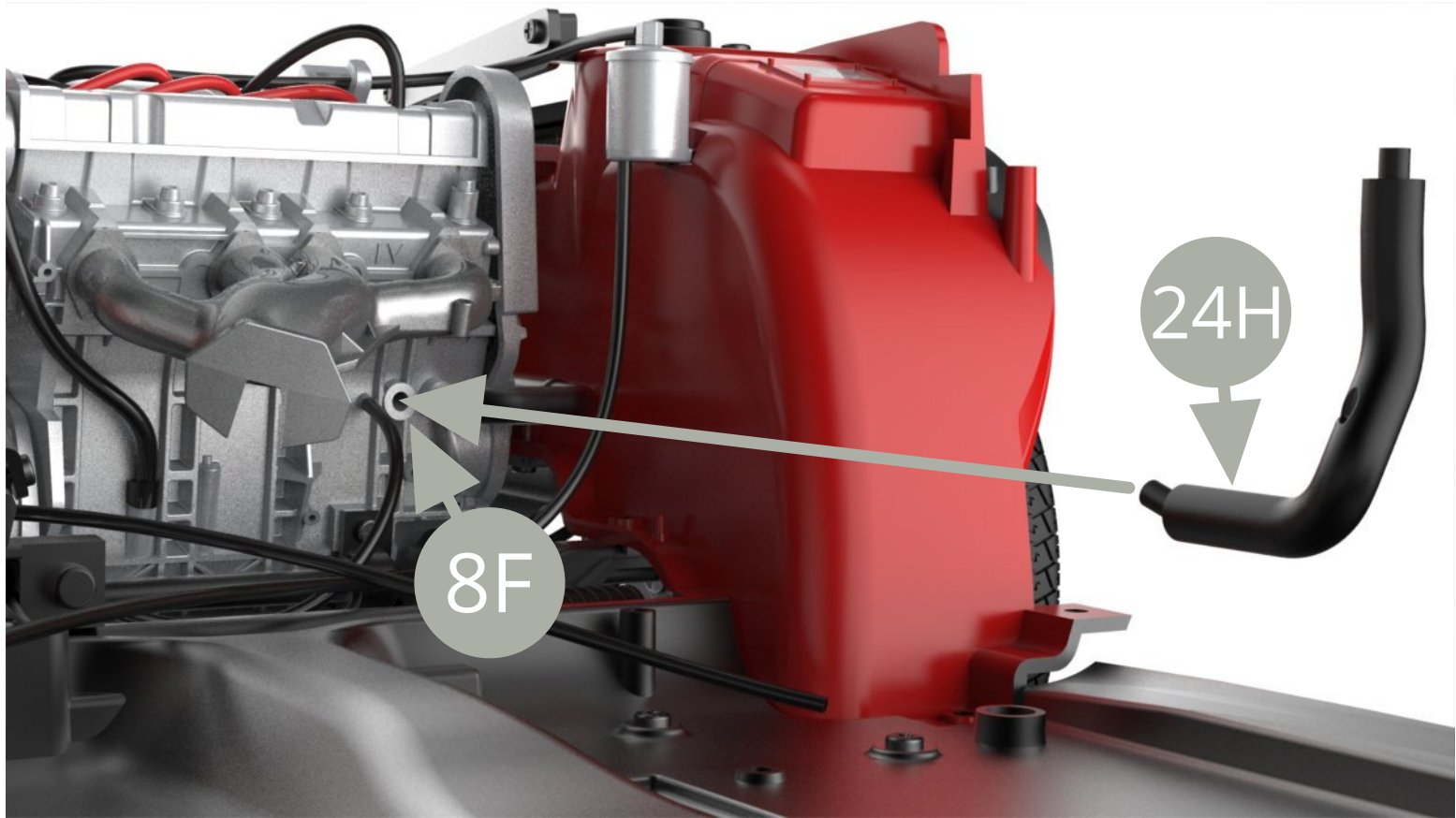
Fit one end of **24F Coolant overflow hose** to **24C Cap** , fitting the latter to **24A Coolant expansion bottle top** , and lead free end of **24F Coolant overflow hose** through support ring on the lower side of **24A Coolant expansion bottle top**.



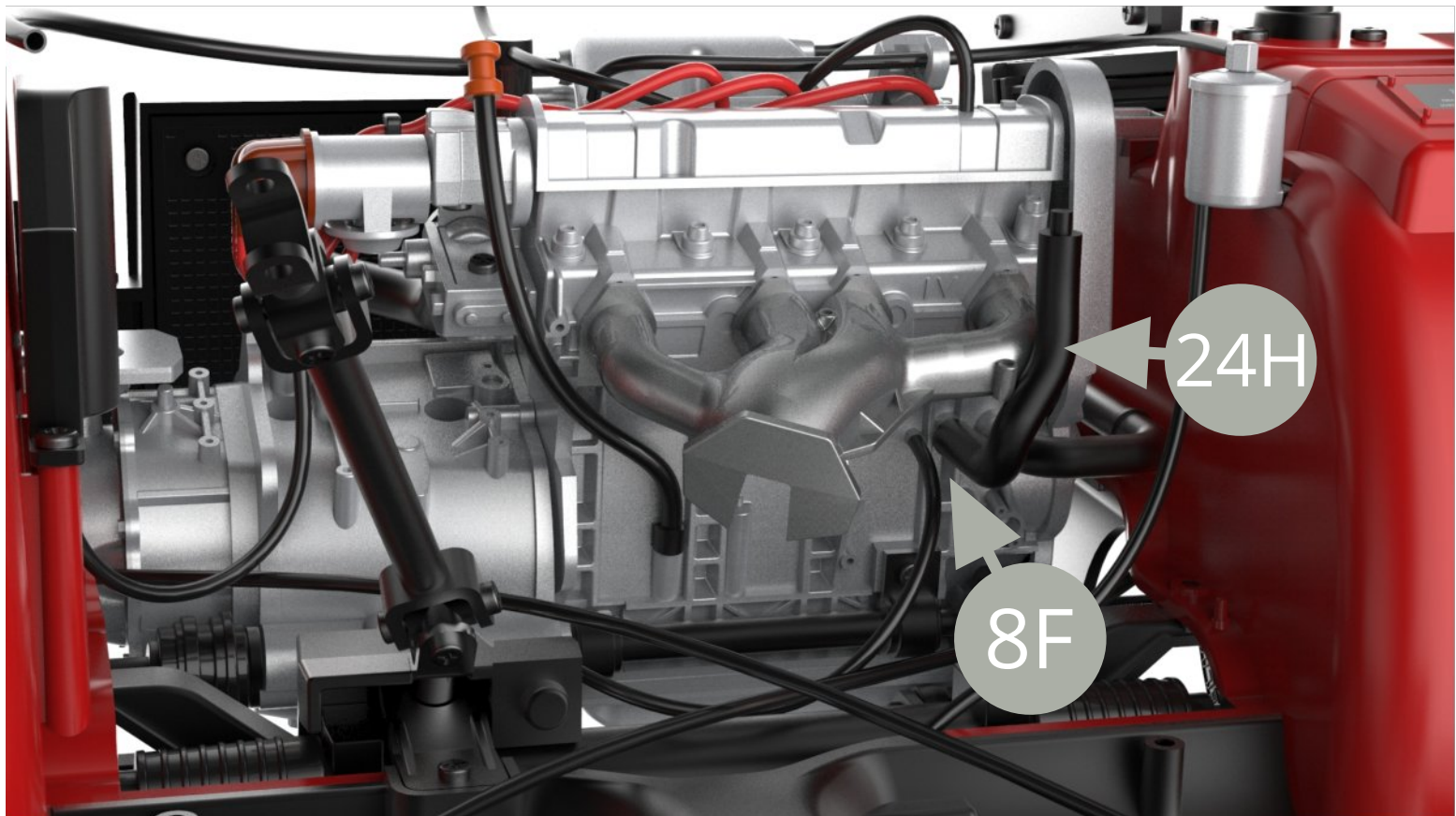
Fit **24G Radiator coolant hose** to the nozzle on **24A Coolant expansion bottle top** .



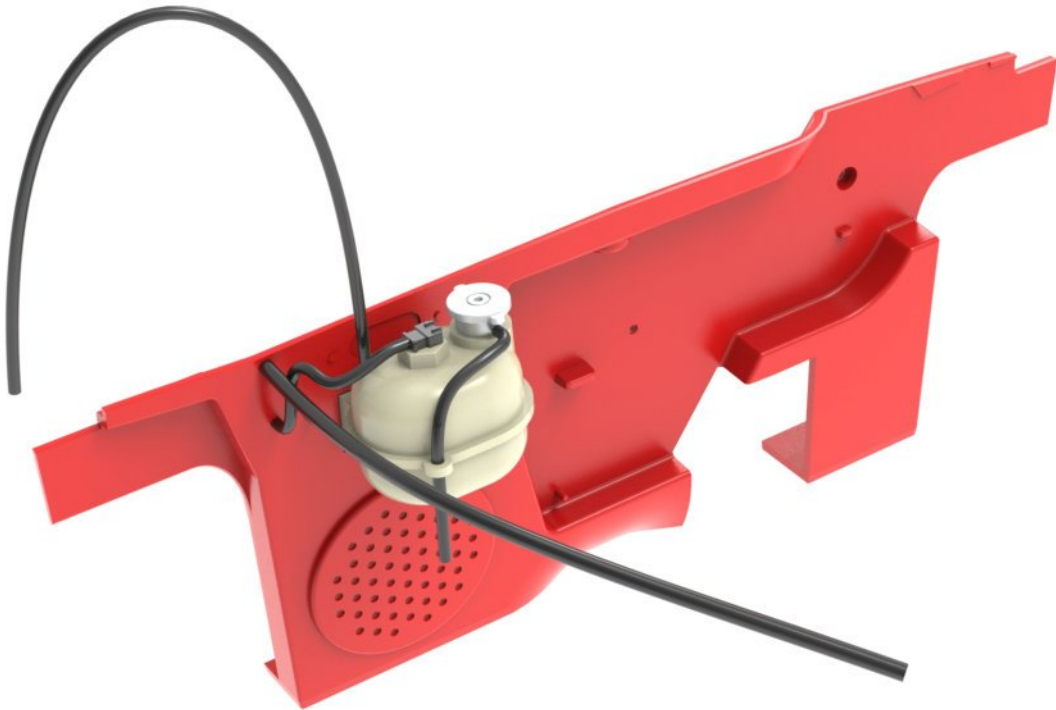
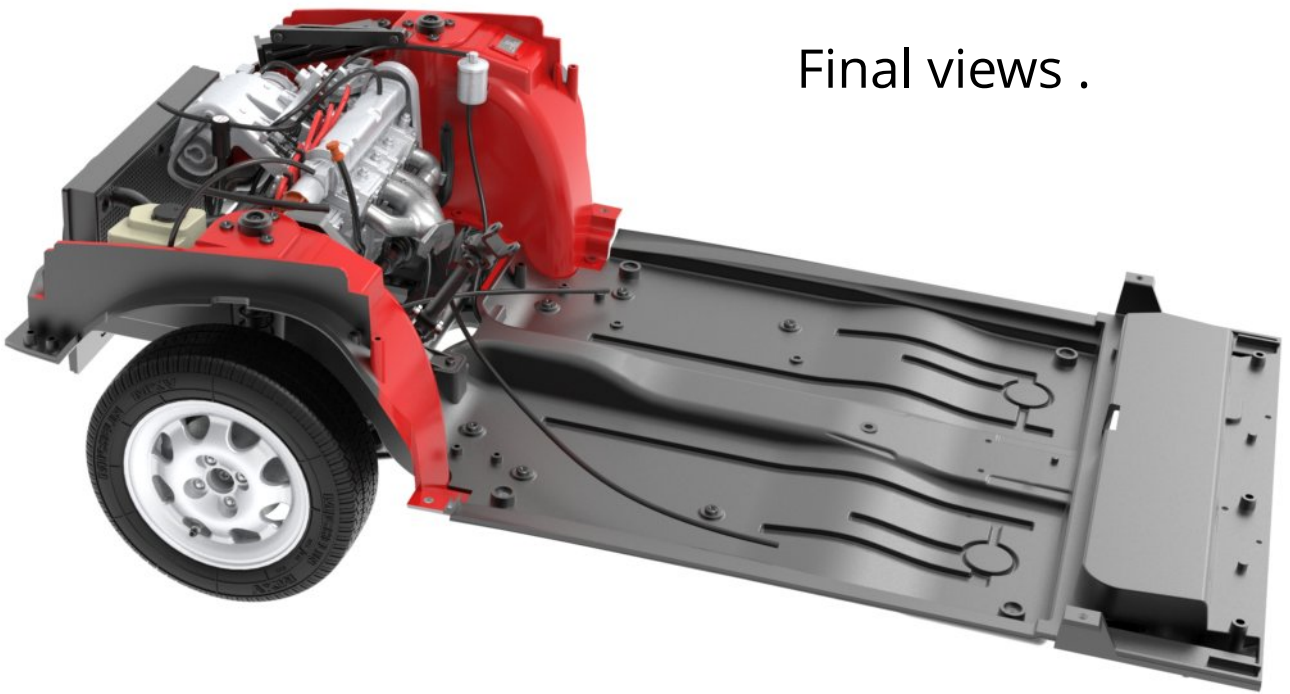
Fit **24I Engine wiring loom** to upper nozzle on **23A Firewall** .



Fit **24H Engine block coolant hose** to the socket on **8F Right Engine block** (top and bottom illustrations).



Final views .



Assembly drawings .

