



25A



25B



25C



25D



25G



25E



25F



AM



CP

25A Brakes master cylinder

25B Cap

25C Brakes booster

25D Brakes fluid reservoir

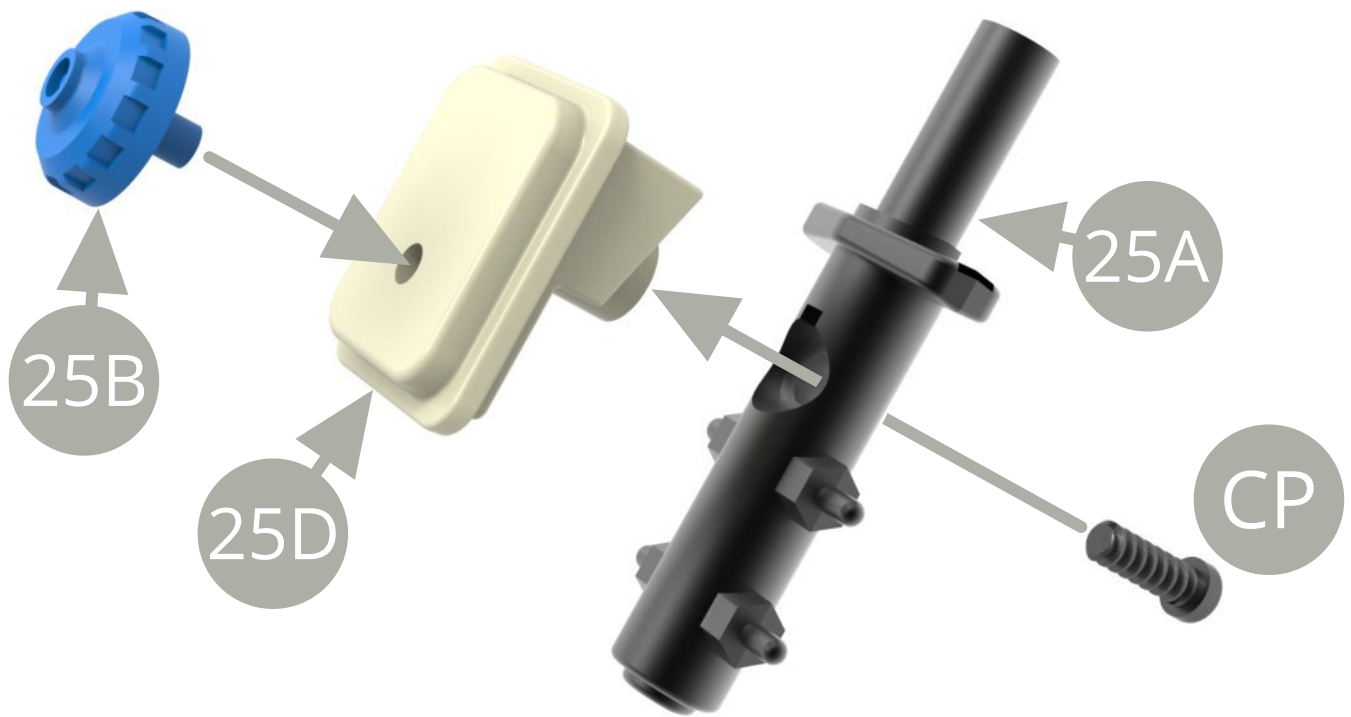
25E Rear left brake line ( shorter )

25F Rear right brake line ( longer )

25G Clamp

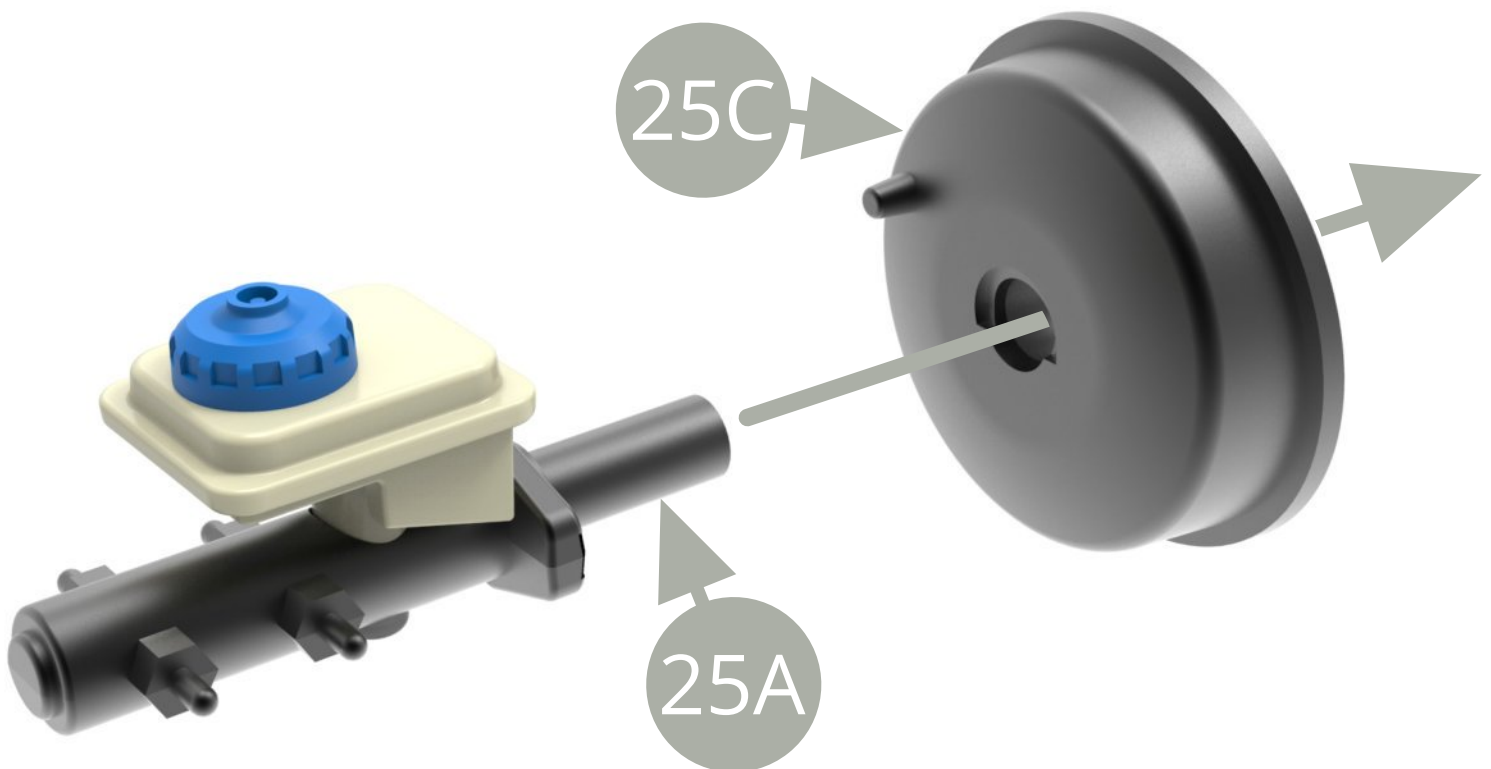
AM M1,7 x3mm ( x2 )

CP M1,7 x5mm ( x3 )

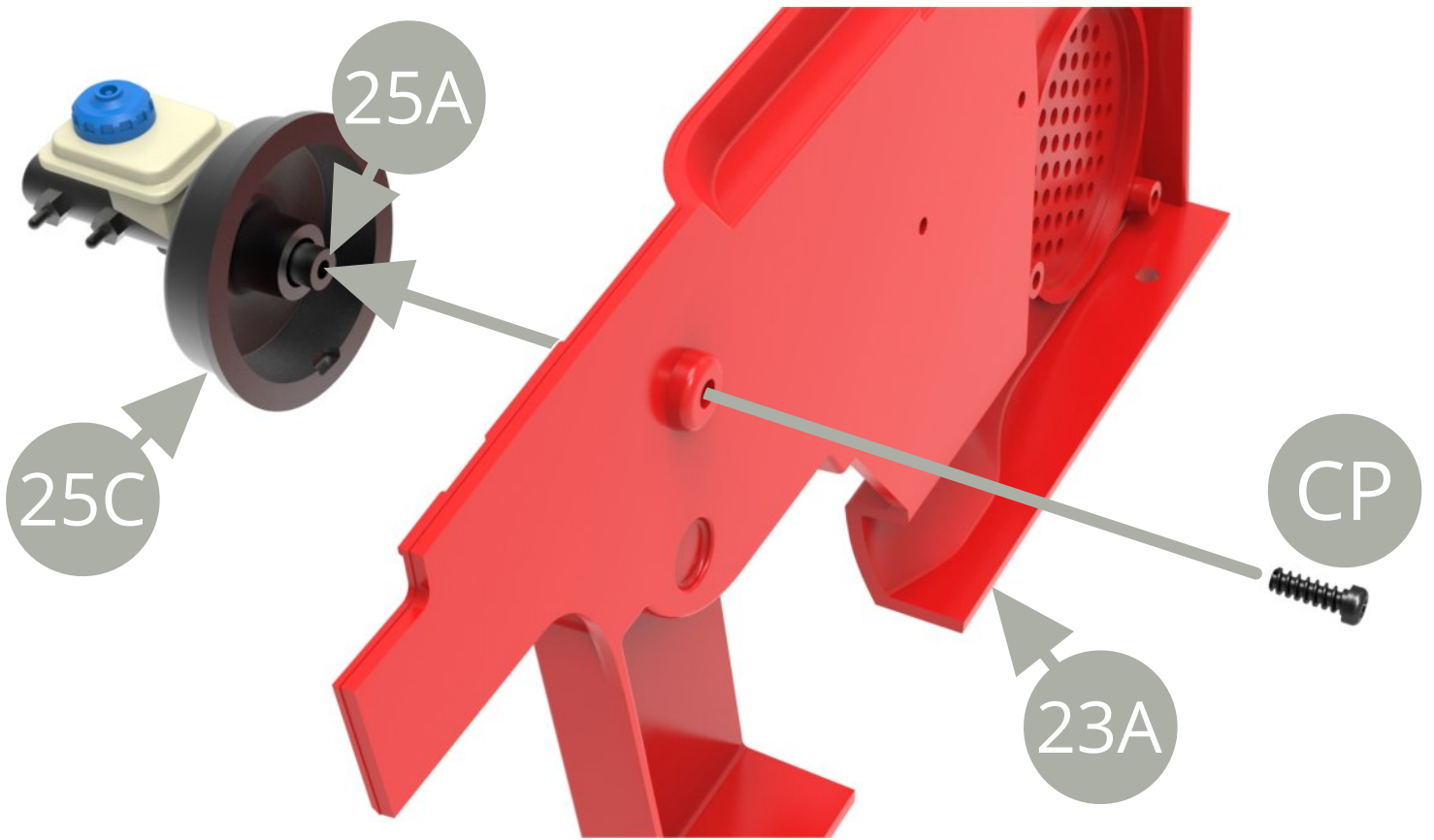


Fit **25B Cap** to **25D Brakes fluid reservoir** .

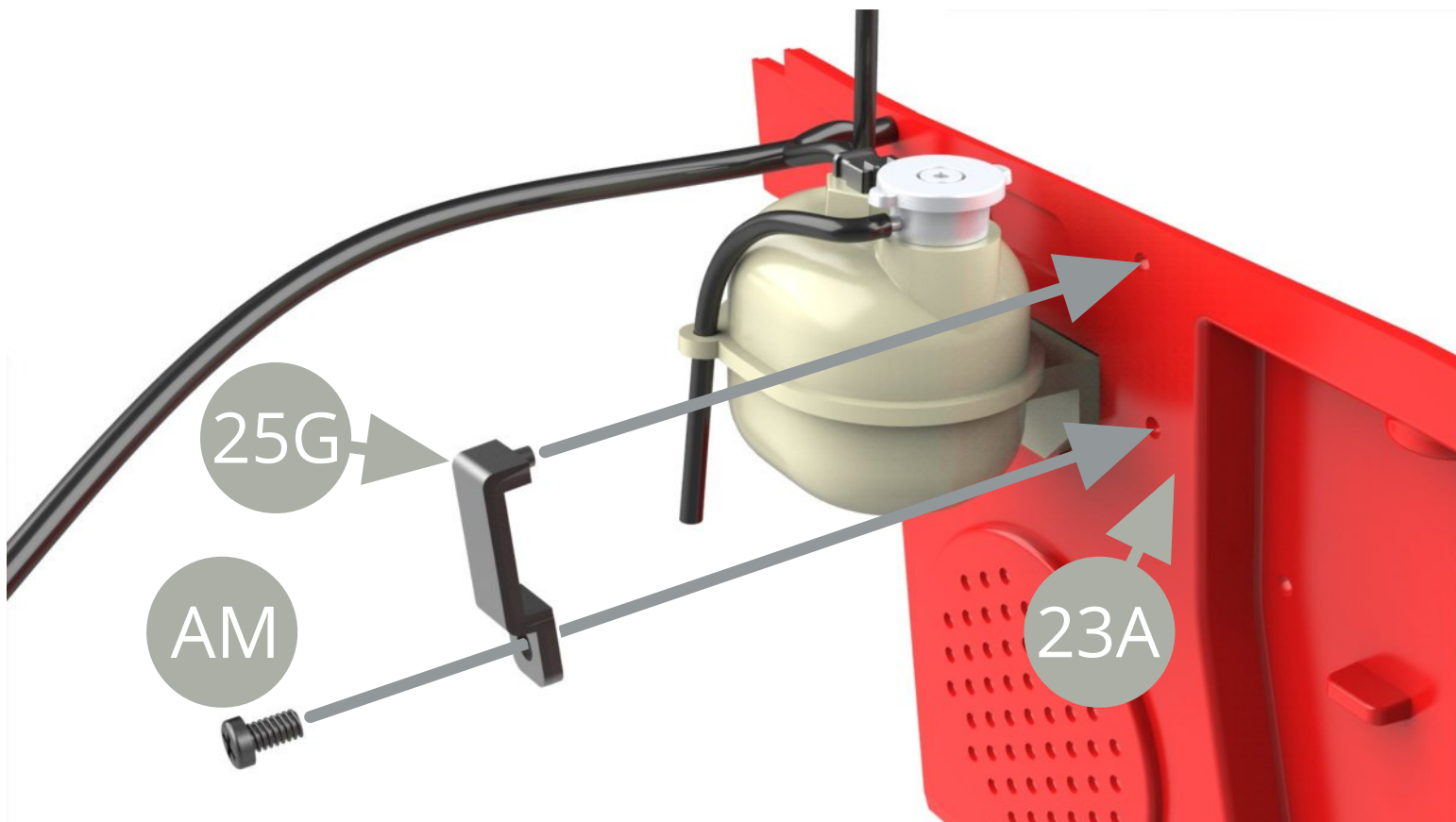
Fit **25D Brakes fluid reservoir** to **25A Brakes master cylinder** and fix with **CP screw** .



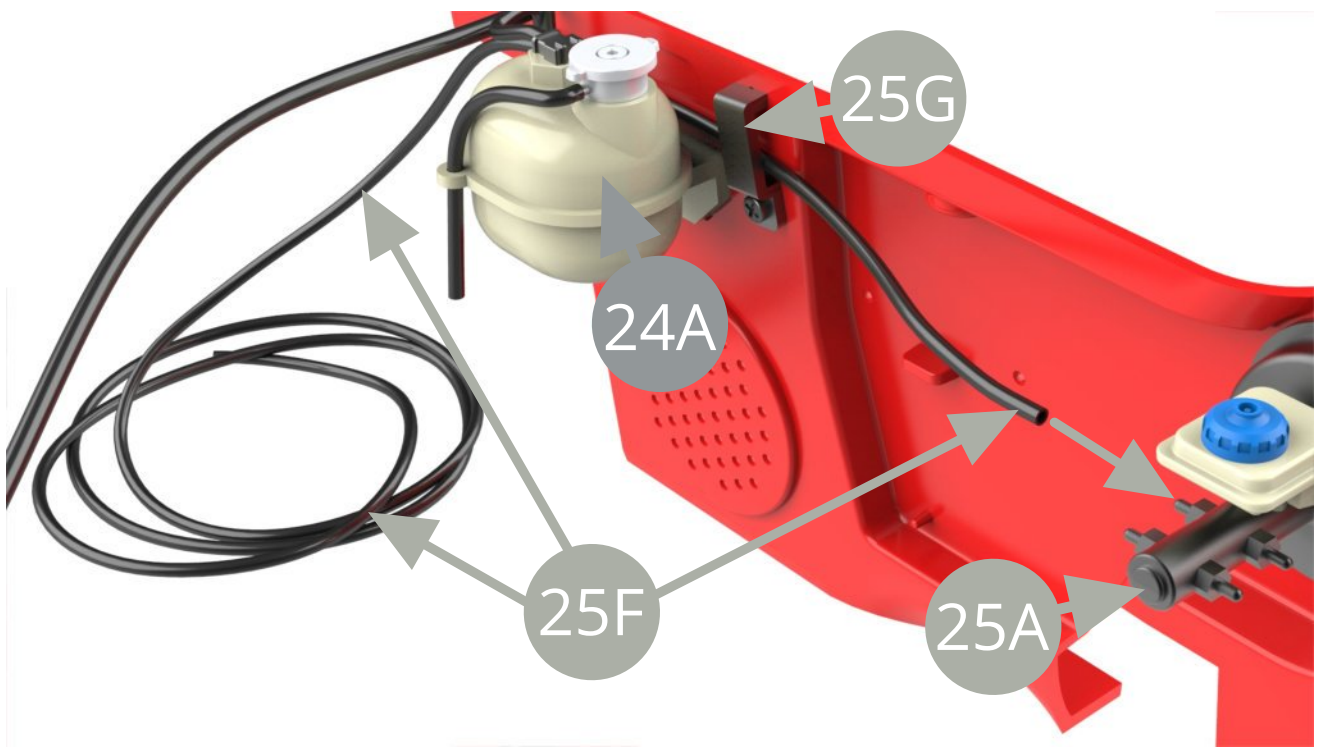
Fit **25A Brakes master cylinder** to **25C Brakes booster** .



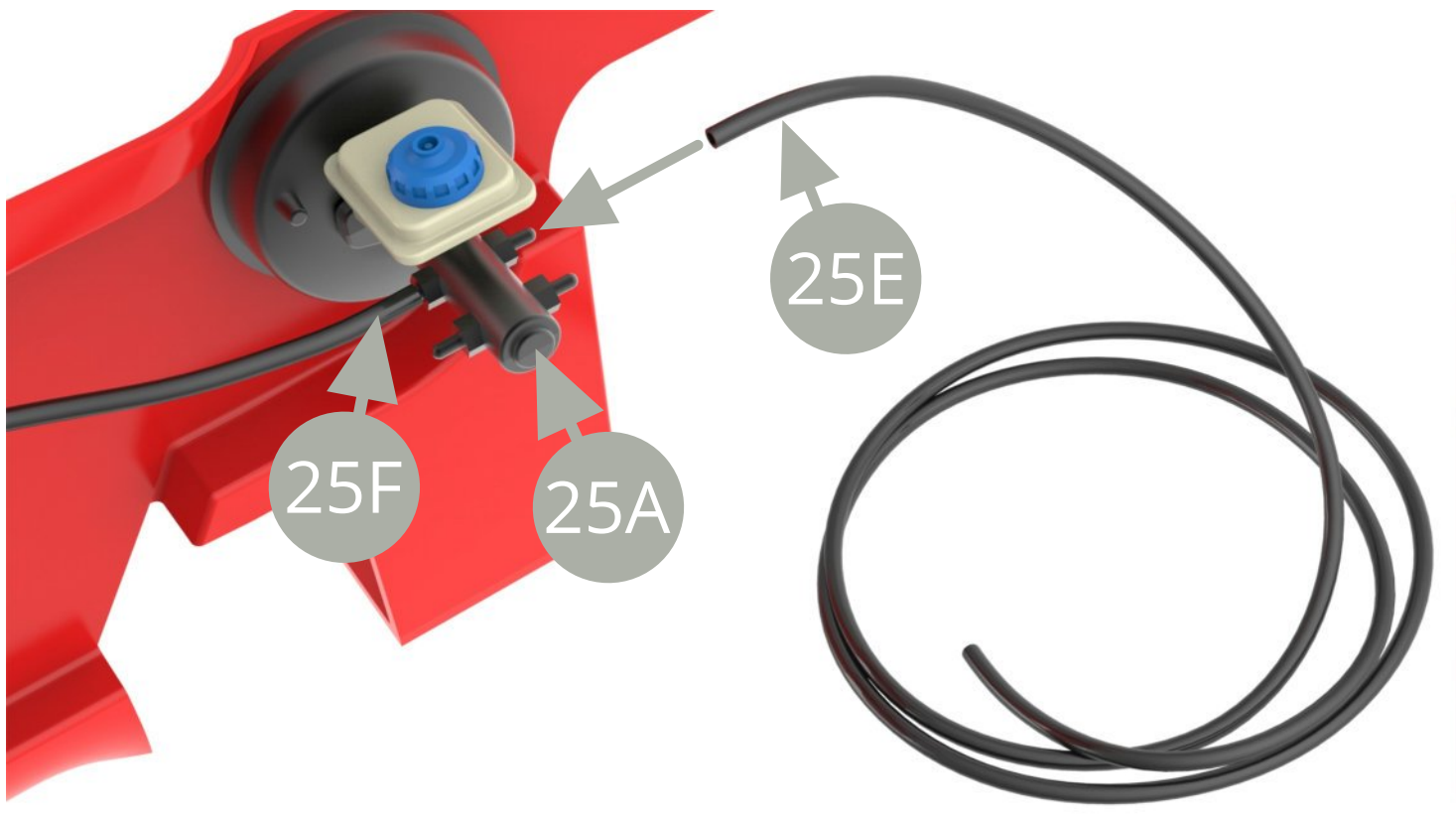
Fit **25A Brakes master cylinder** to **23A Firewall** and fix with **CP screw** .



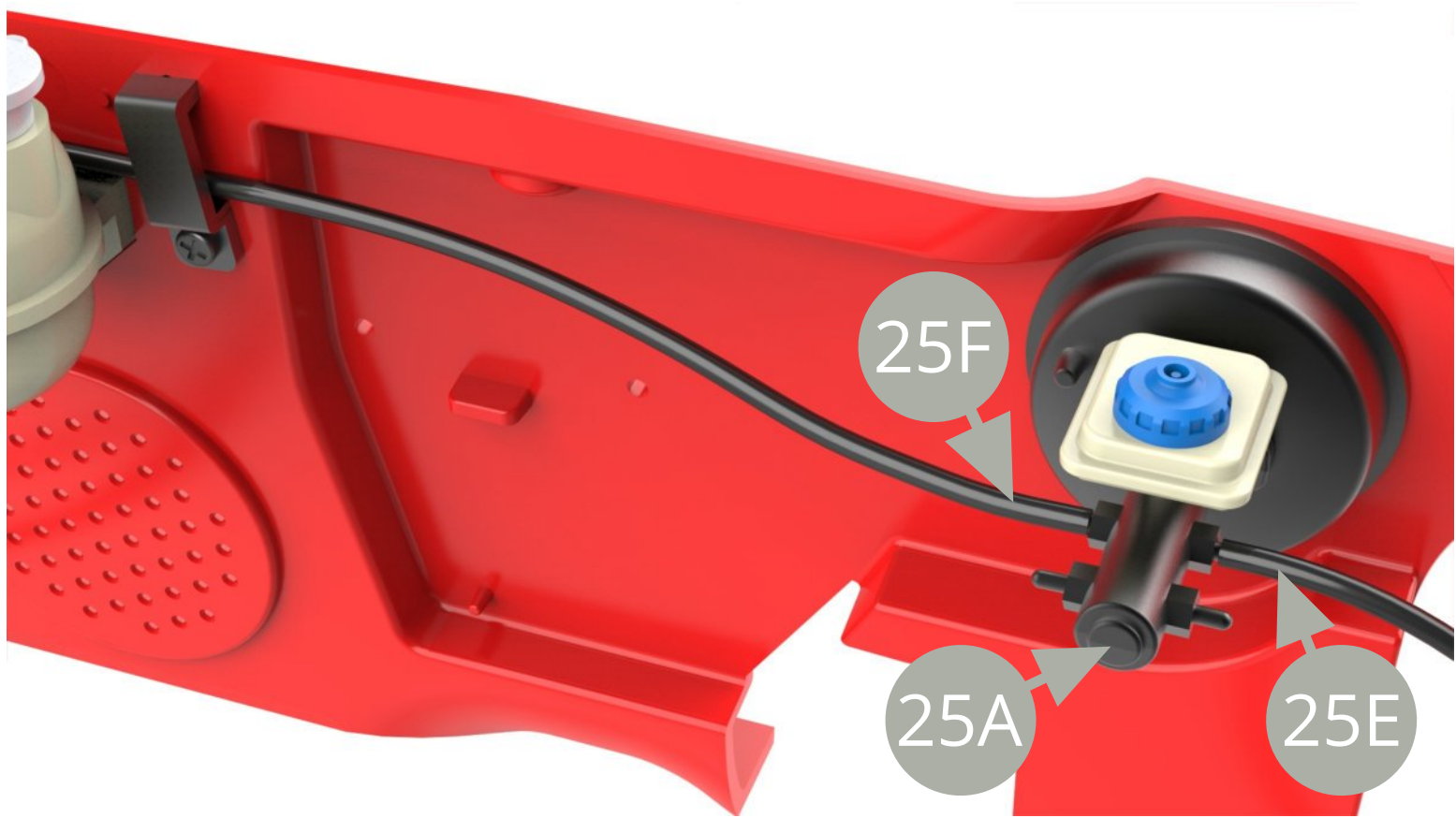
Fit **25G Clamp** to **23A Firewall** and fix with **AM screw** .



Pass **25F Rear right brake line** behind **24A Coolant expansion bottle top** , through **25G Clip** and fit to the pointed nozzle on **25A Brakes master cylinder** .

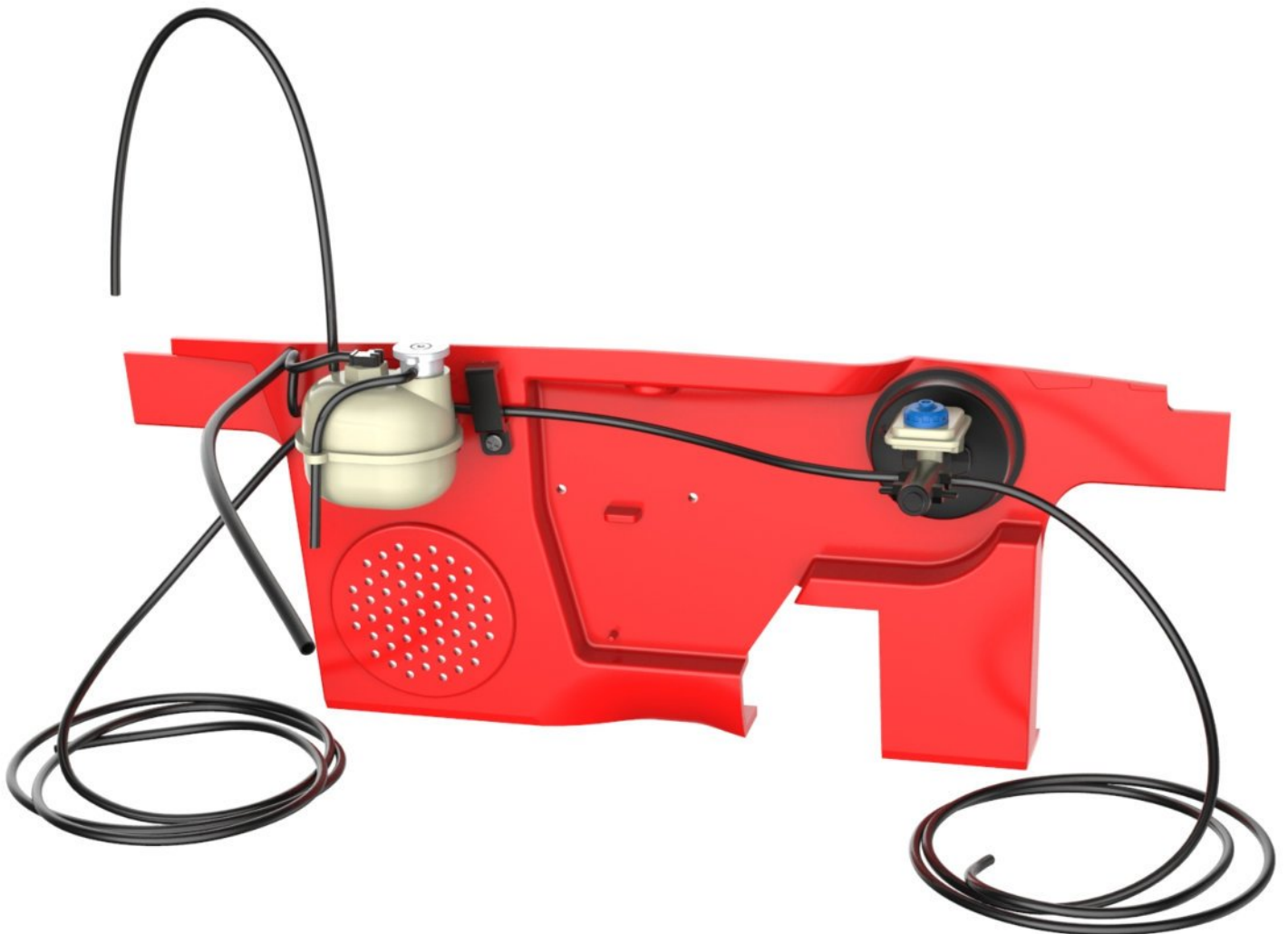


Fit **25E Rear left brake line** to the pointed nozzle on **25A Brakes master cylinder** .



Final close up view .

Final general views .



# Assembly drawings .

