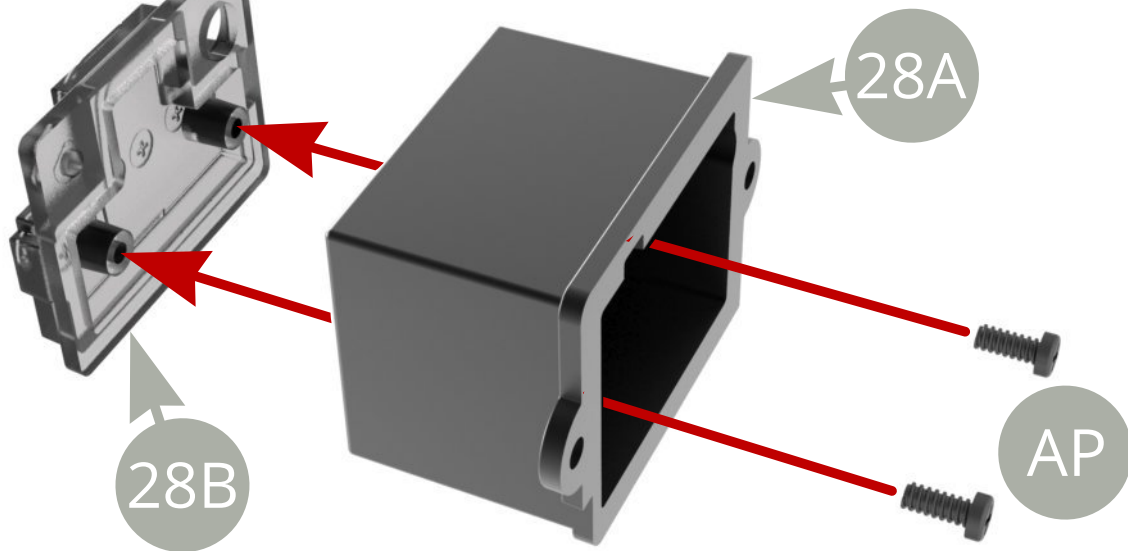
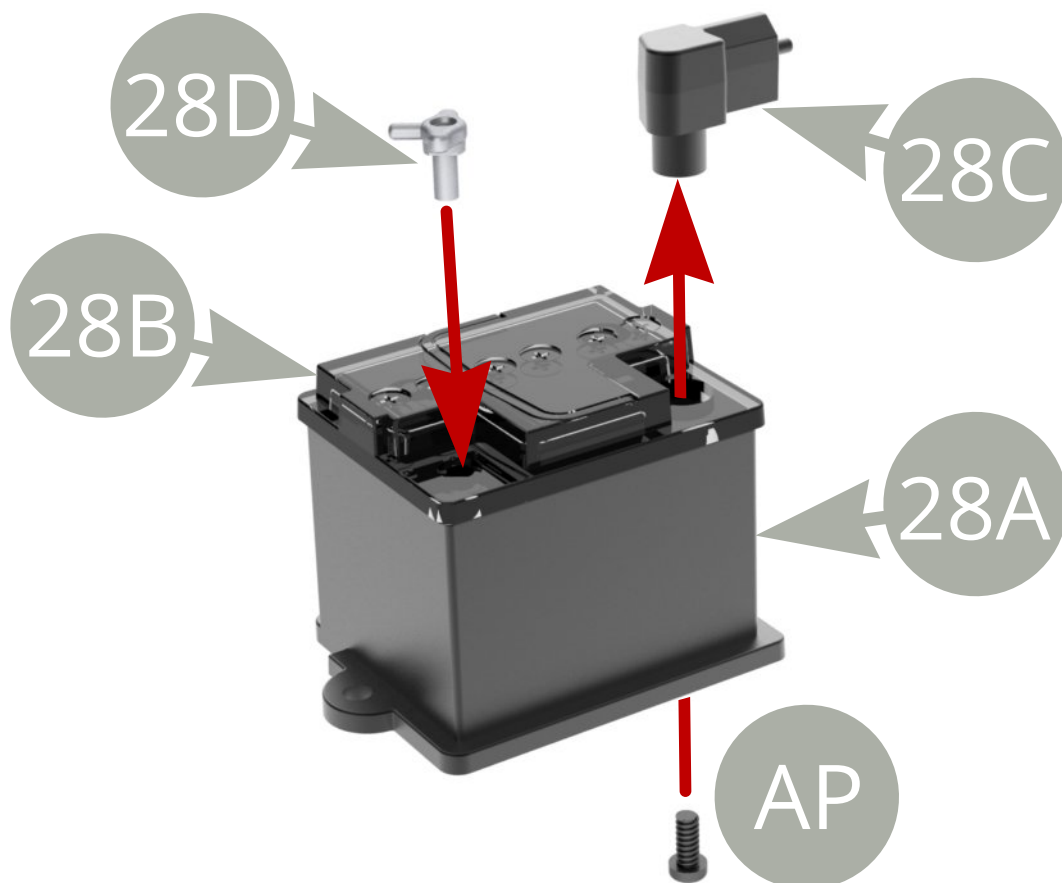


- 28A Battery
- 28B Battery top
- 28C Ground terminal
- 28D Positive terminal
- 28E Battery tray
- 28F Battery cable (x2)

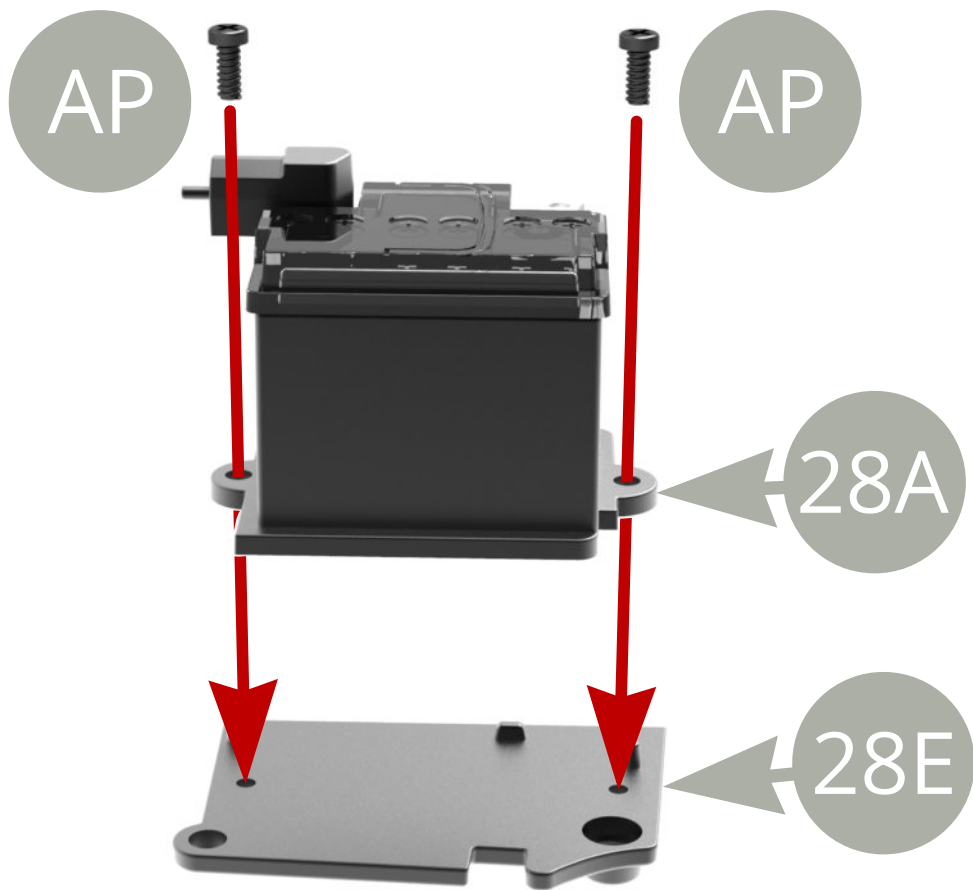
- AP M1,7 x4mm (x6)
- BM M2.0 x4mm (x3)



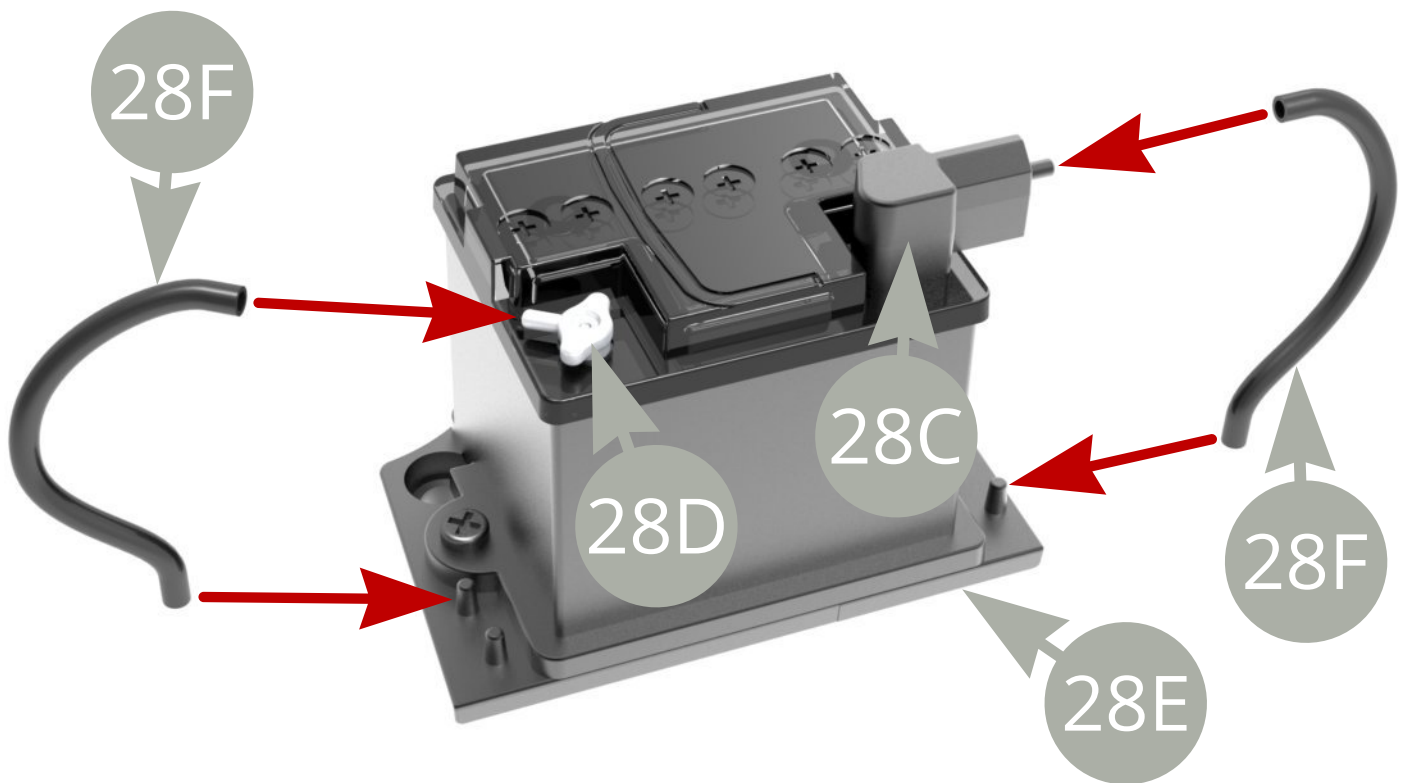
Fit **28B Battery top** to **28A Battery** and fix with two **AP screws**.



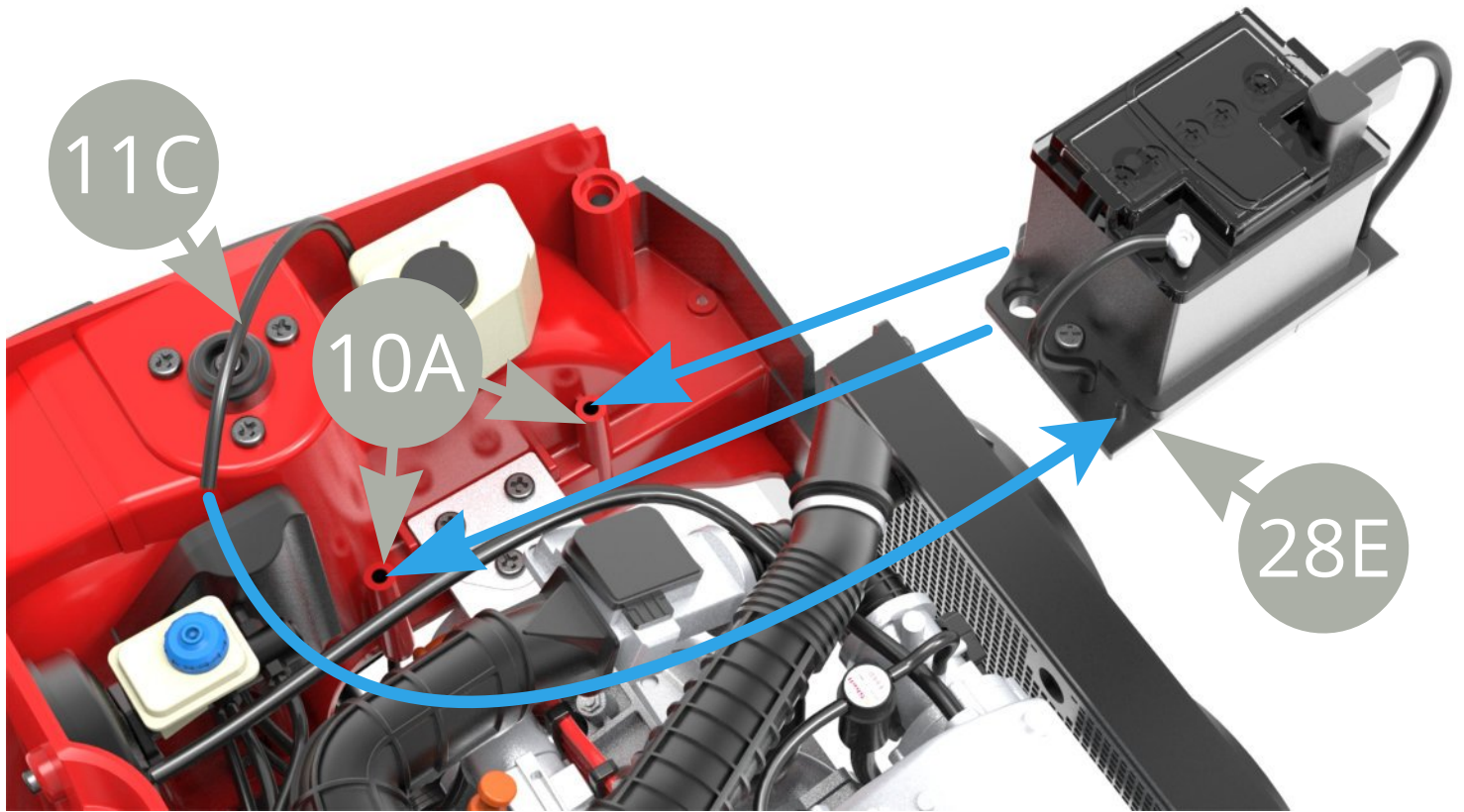
Fit **28D Positive terminal** to **28A Battery** through **28B Battery top**. Fit **28C Ground terminal** to **28A Battery** through **28B Battery top** and fix with **AP screw** .



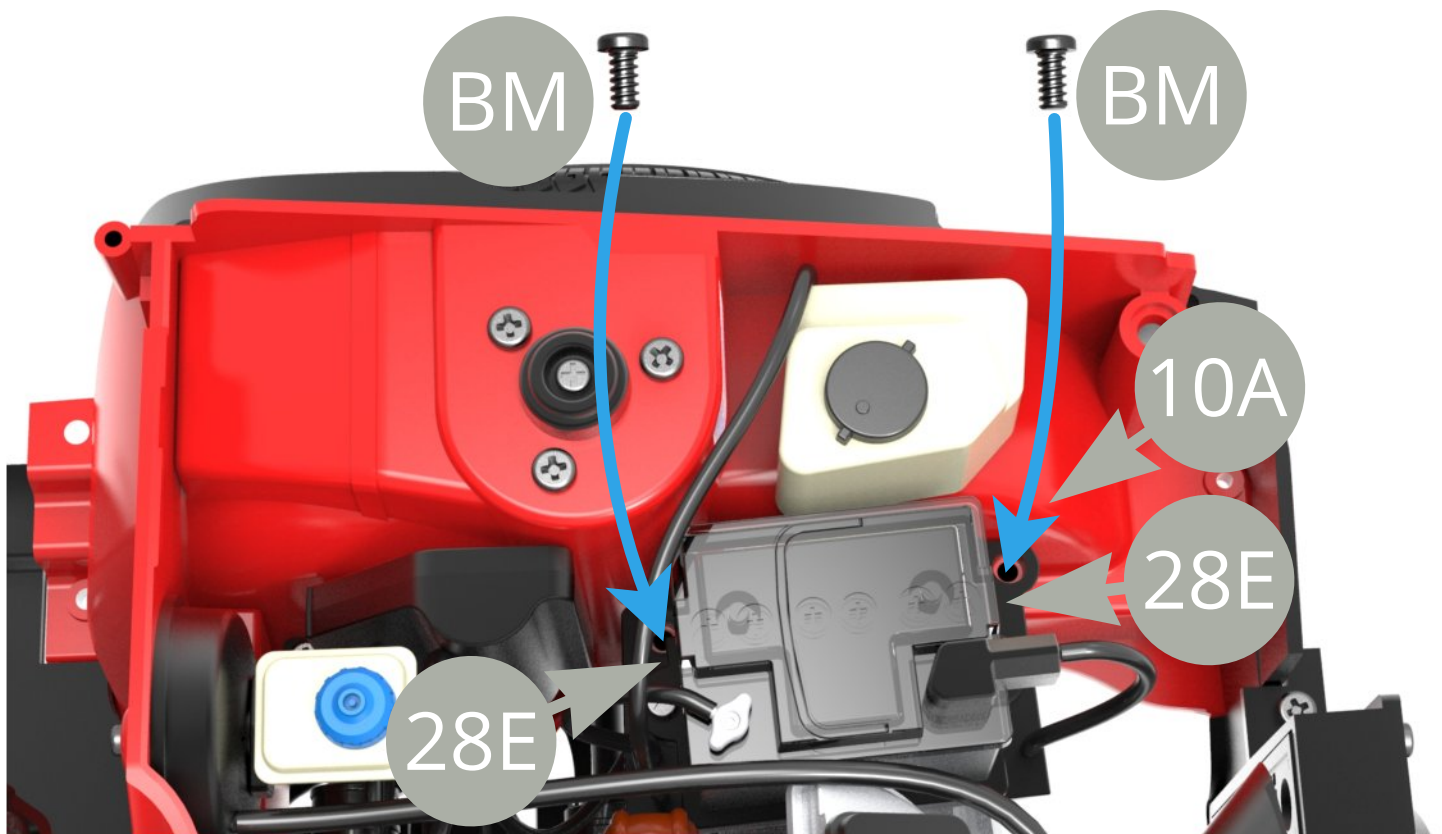
Fit **28A Battery** to **28E Battery tray** and fix with two **AP screws** .

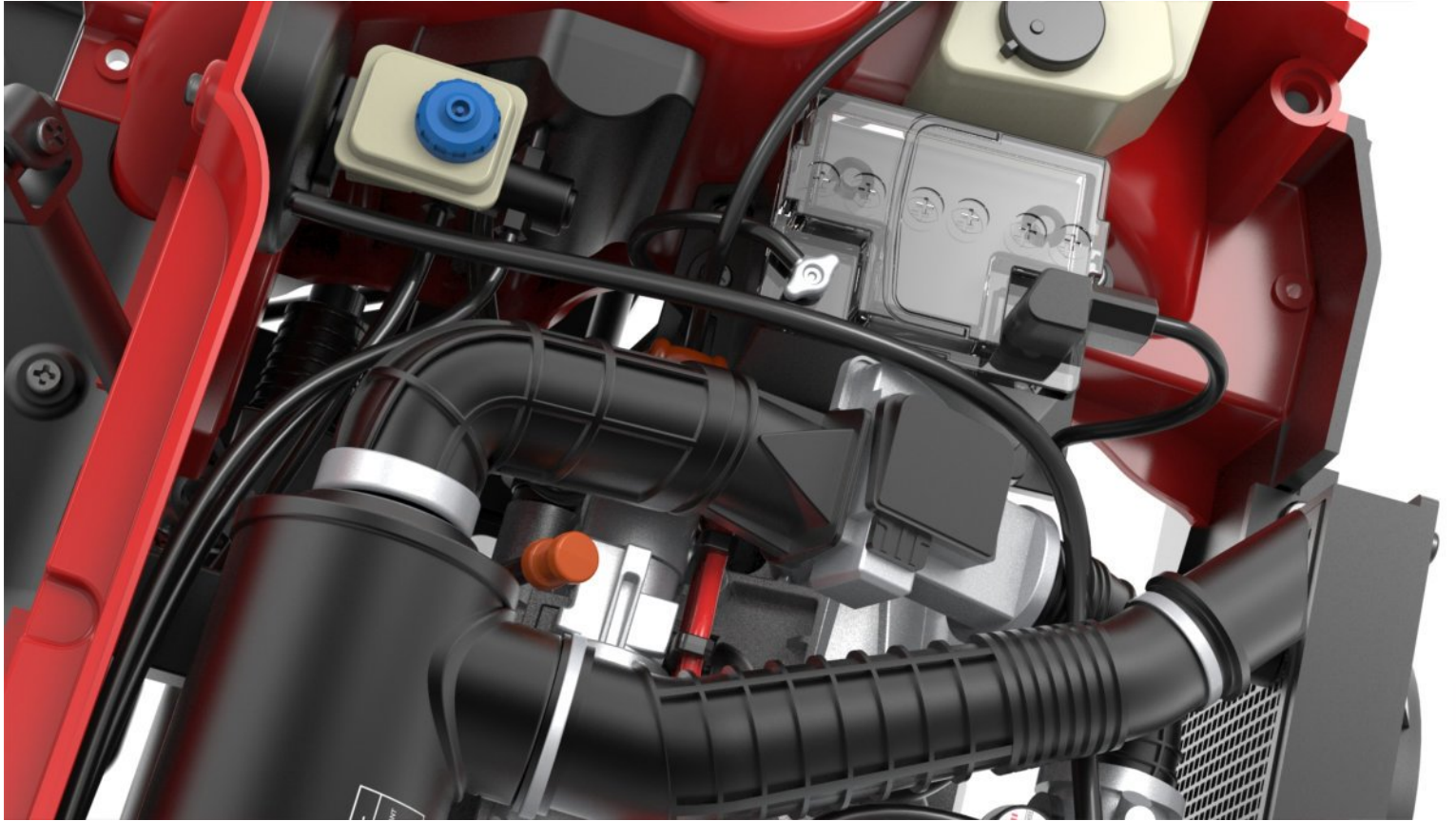


Fit **28F Battery cables** between **28E Battery tray** nozzles and **28D Positive terminal** , and **28C Ground terminal** respectively .



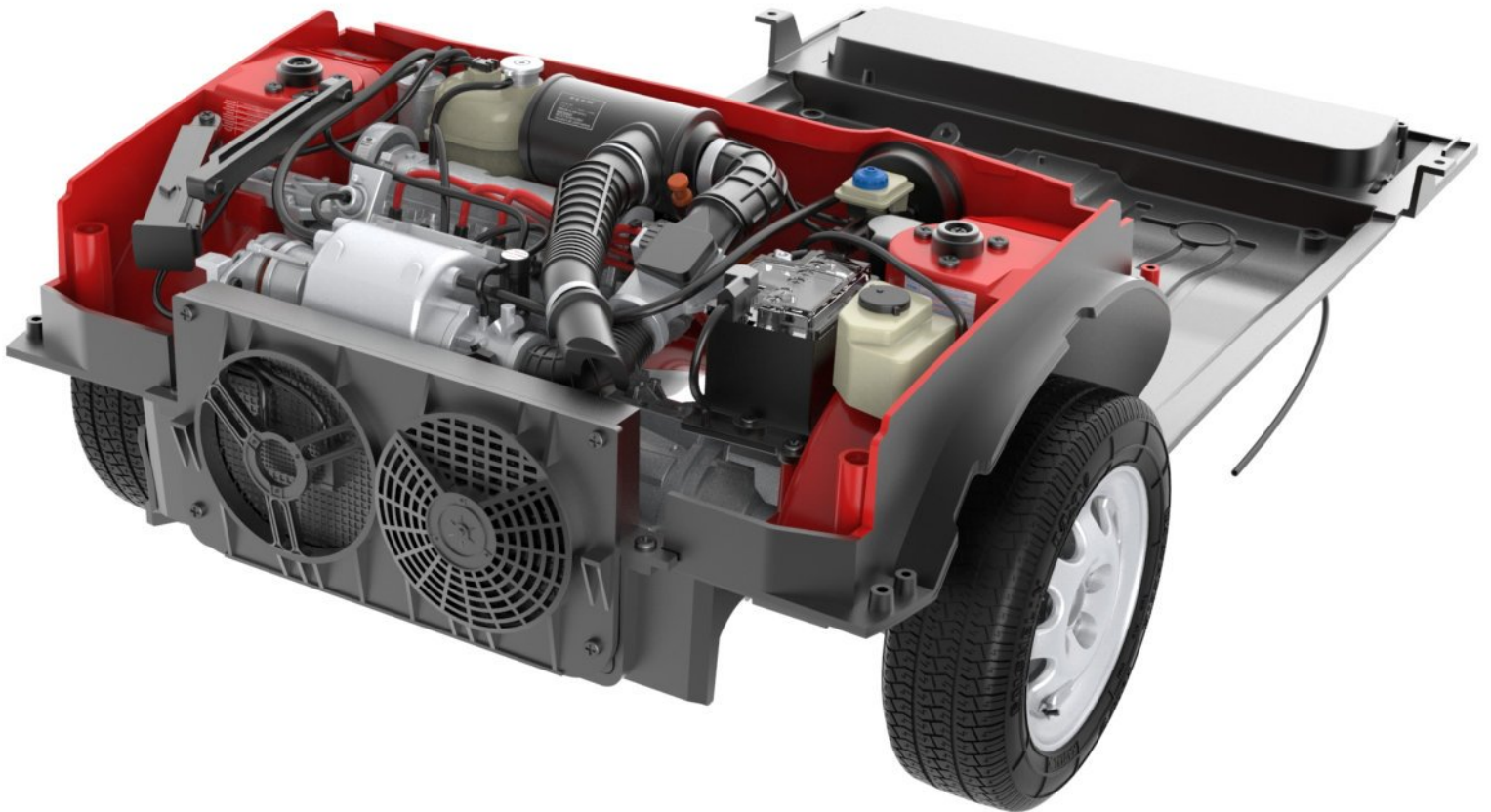
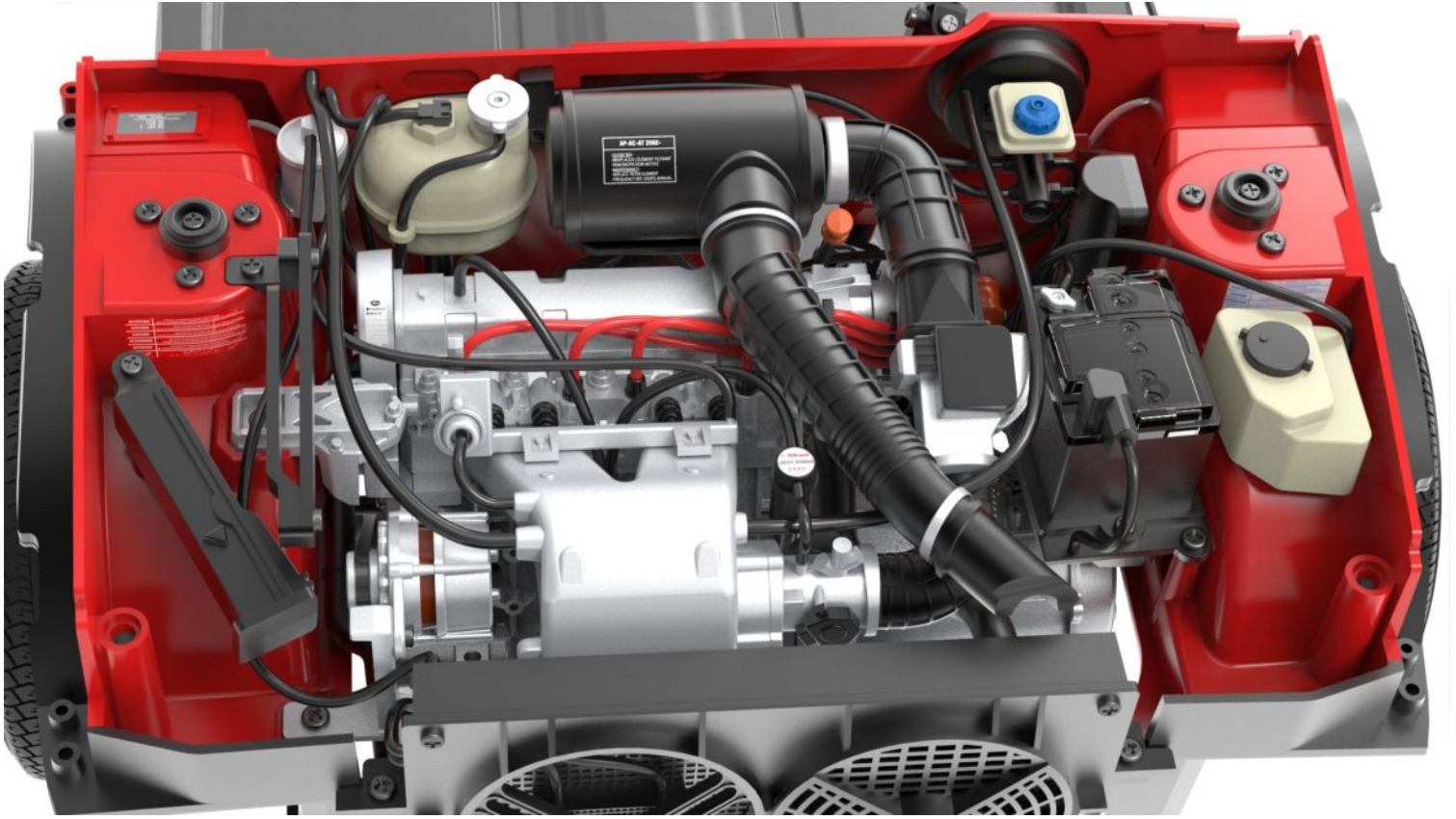
Connect **11C Washer fluid hose** to **28E Battery tray** nozzle and then fit the latter to **10A Front wheels arc frame** , fixing it with two **BM screws** . (top and bottom images)





Battery installed into Engine Bay .

Final views .



Assembly drawings .

