

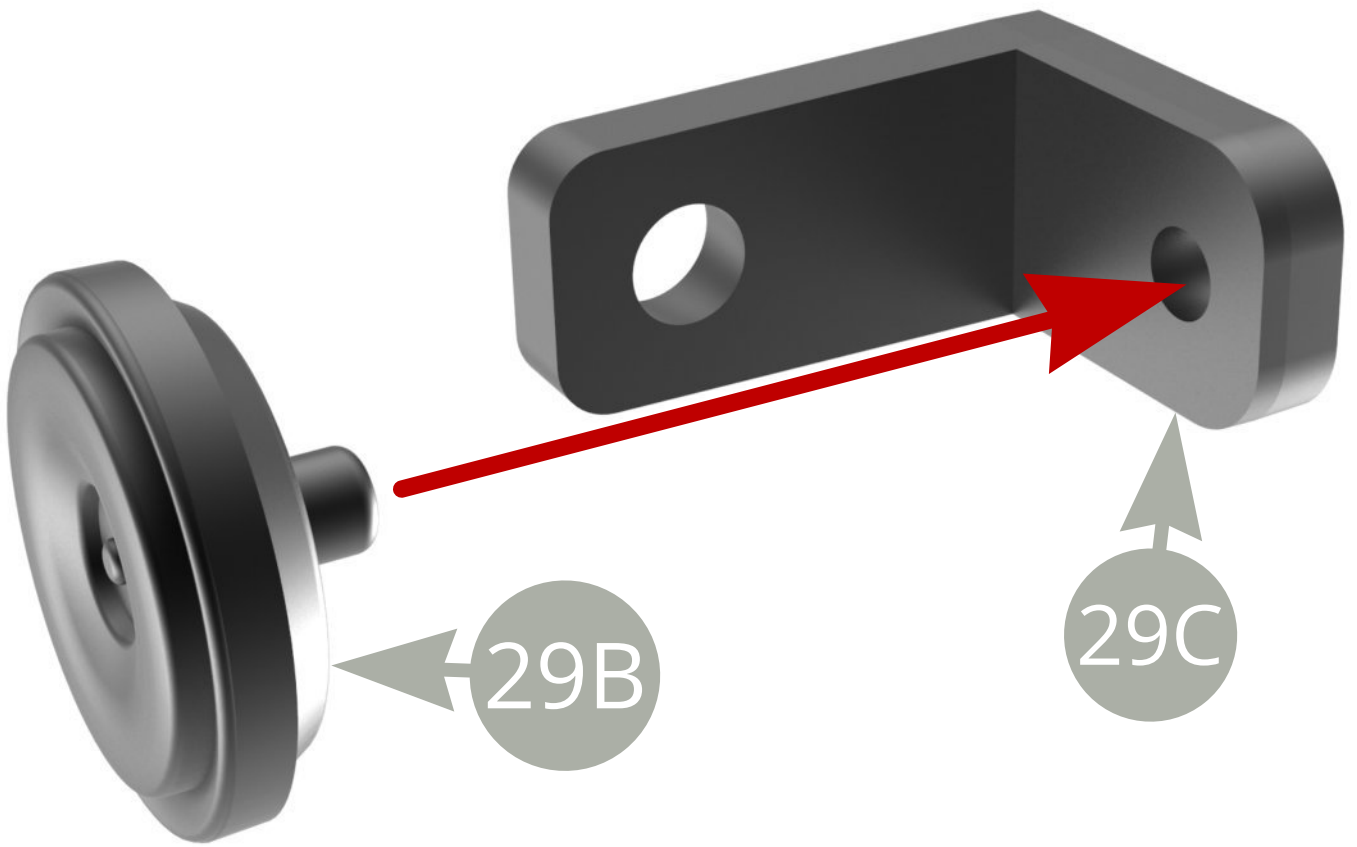
29A Engine bay front panel

29B Electric horn

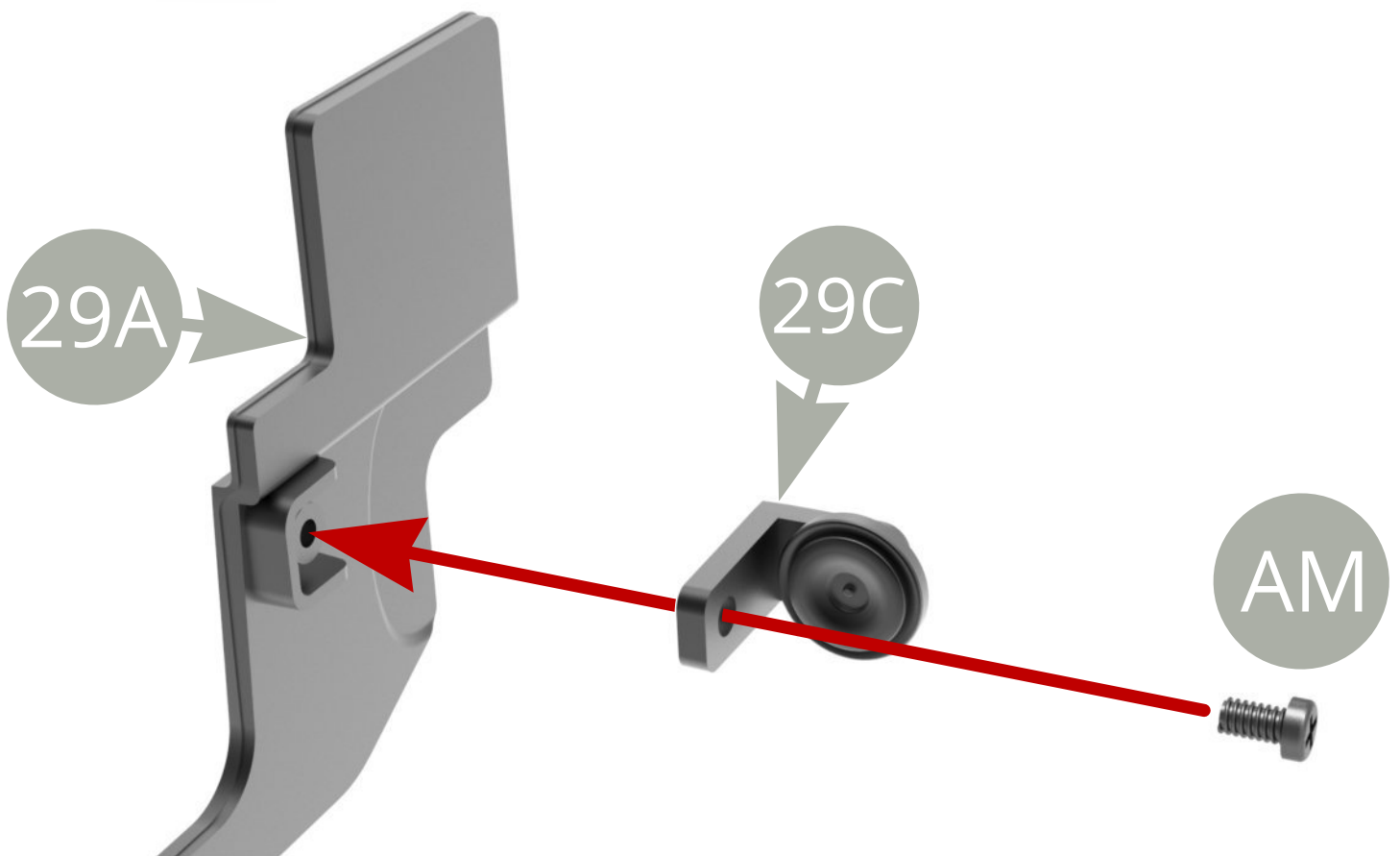
29C Horn bracket

29D Front bumper bracket

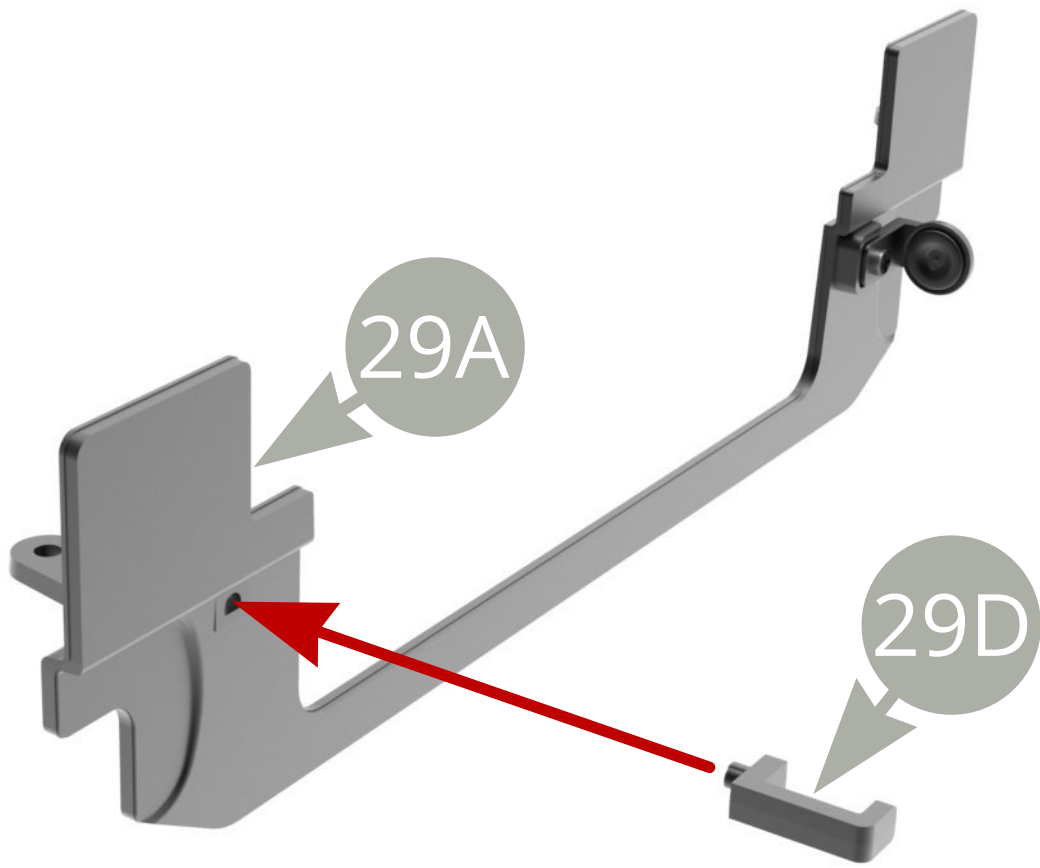
AM M1,7 x3mm (x4)



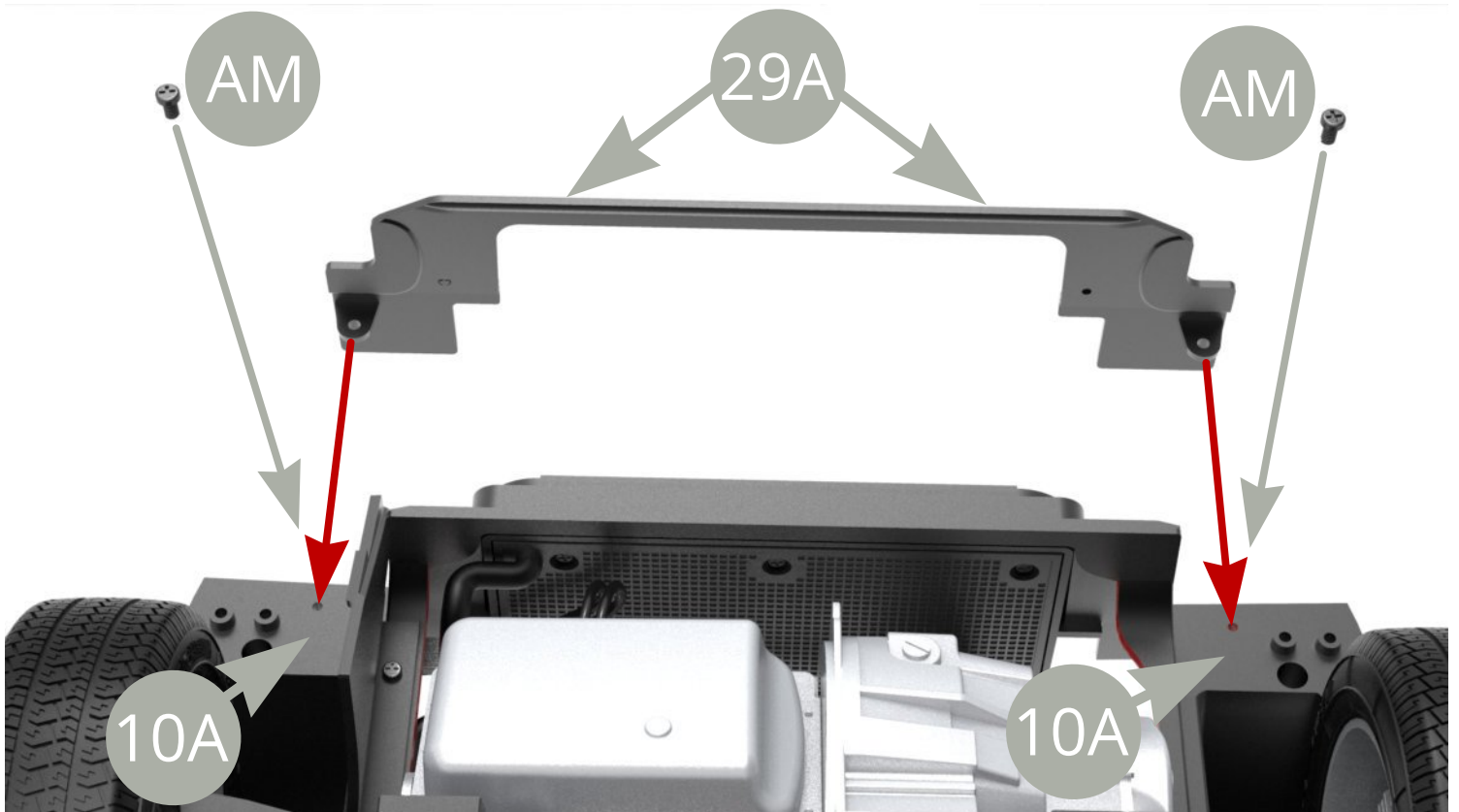
Fit **29B Electric horn** to **29C Horn bracket**



Fit **29C Horn bracket** to **29A Engine bay front panel**
and fix with **AM screw** .

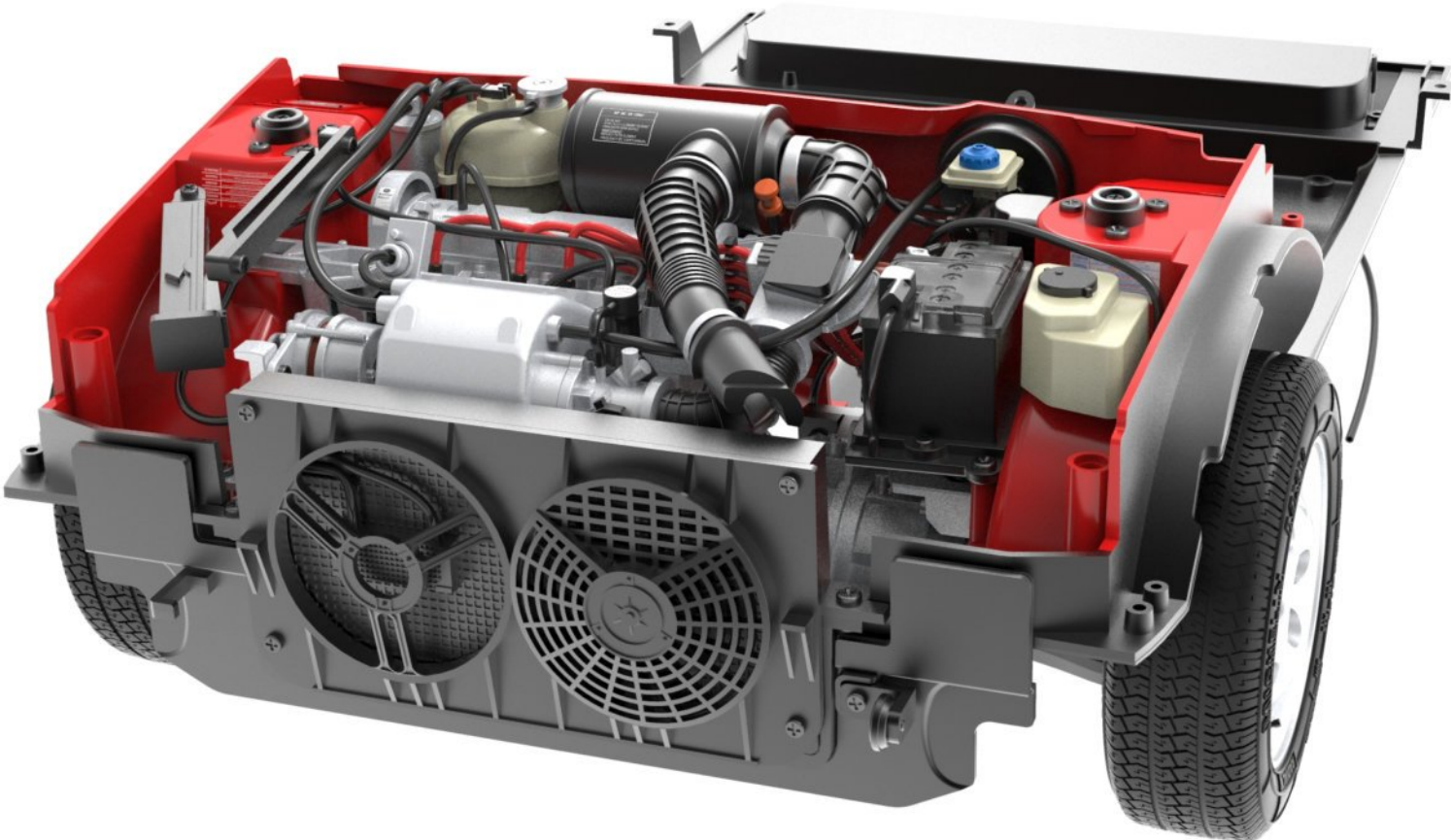
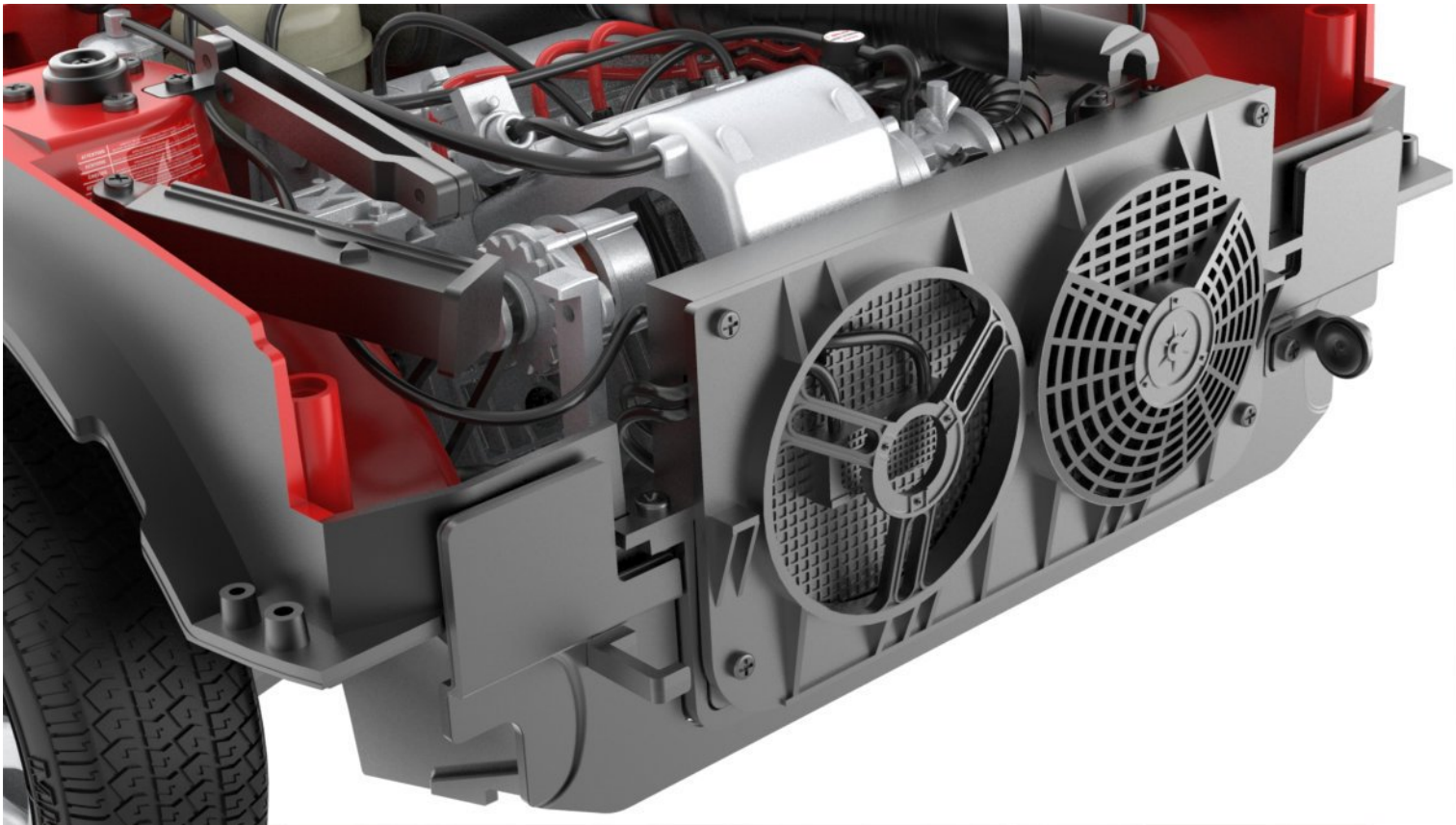


Fit **29D Front bumper bracket** to **29A Engine bay front panel** .



Fit **29A Engine bay front panel** to **10A Front wheel arc frame** and fix with two **AM screws** .

Final views .



Assembly drawing .

