

33A Rear axle left mount

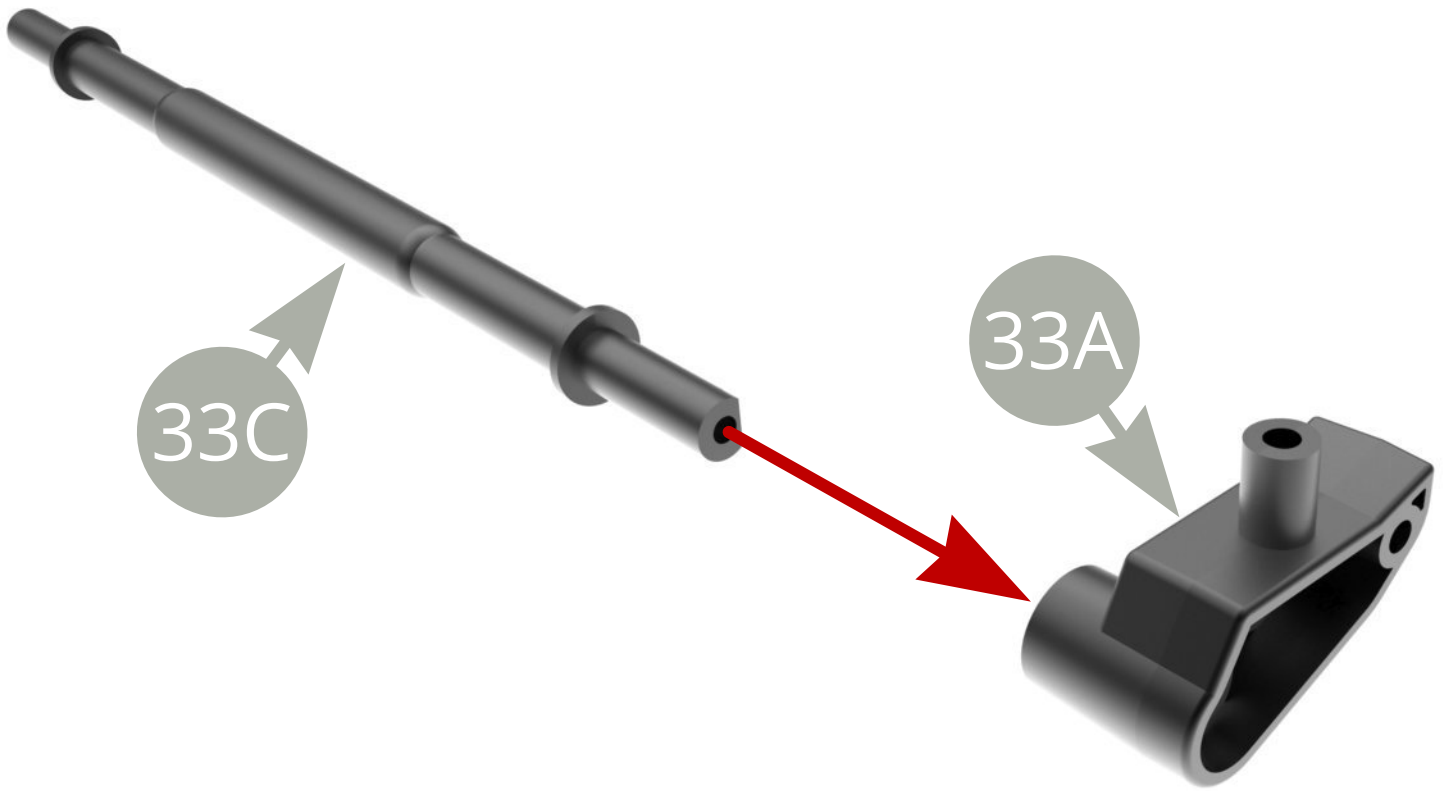
33B Rear axle right mount

33C Rear axle cross-tube

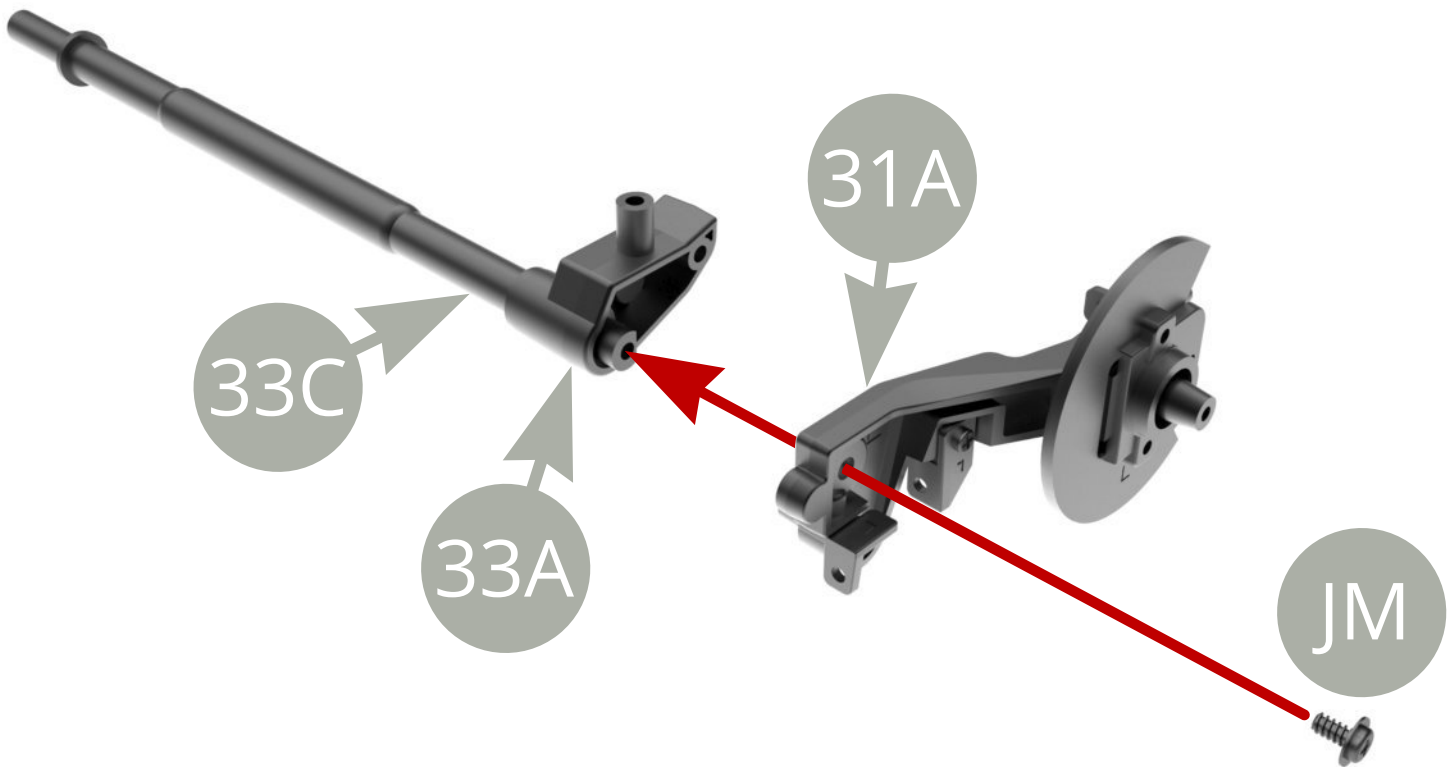
33D Rear torsion bar

33E Front torsion bar

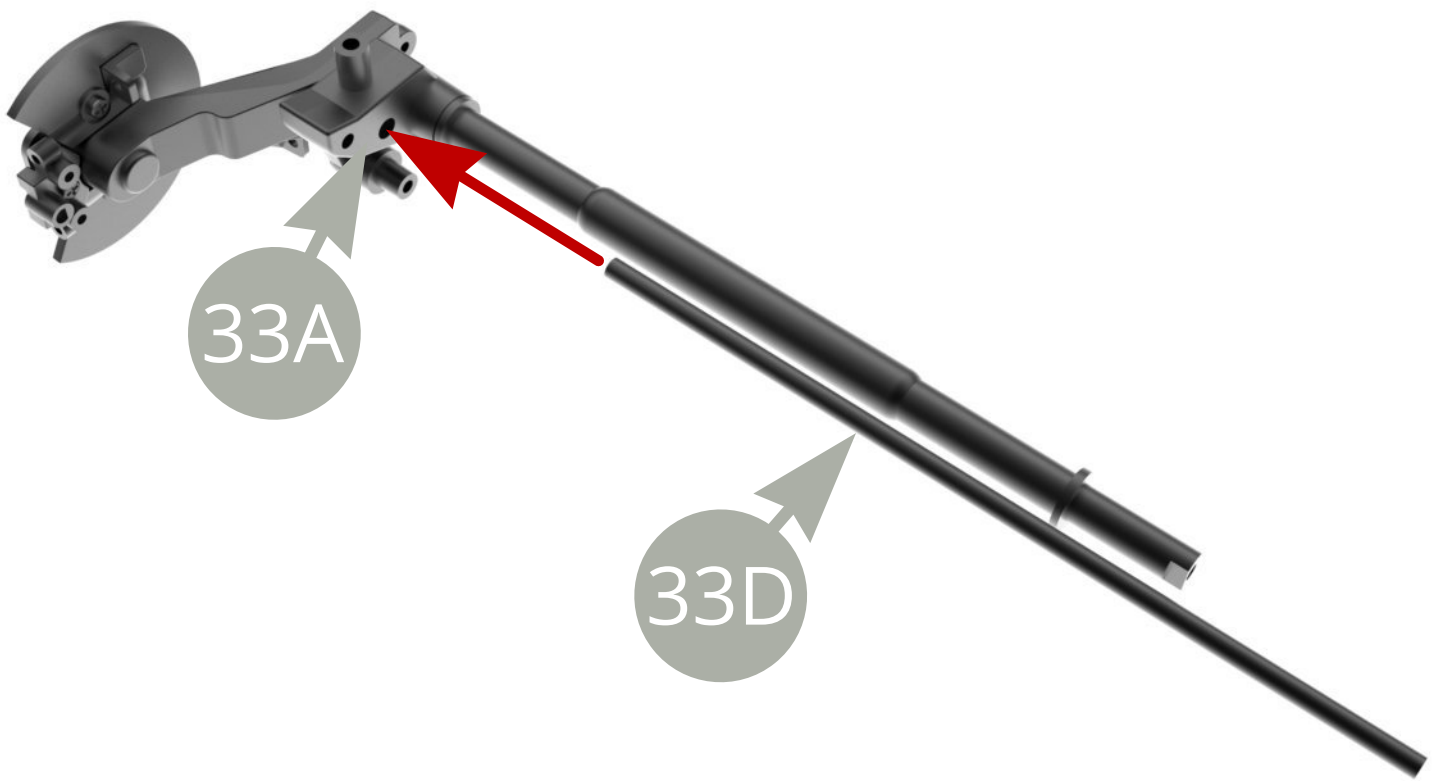
JM M2,0 x4x5mm ( x3 )



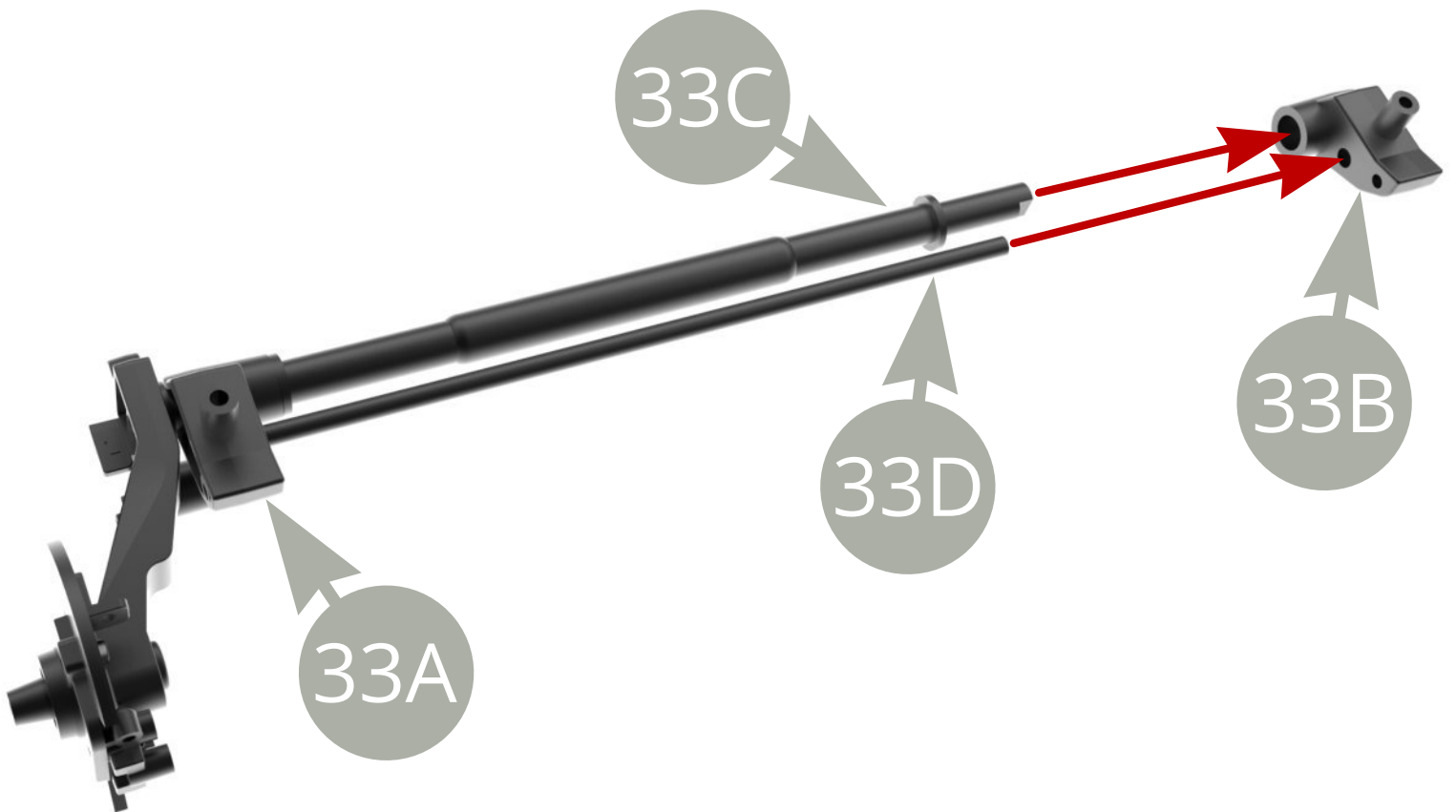
Fit **33A Rear axle left mount** to **33C Rear axle cross-tube** .



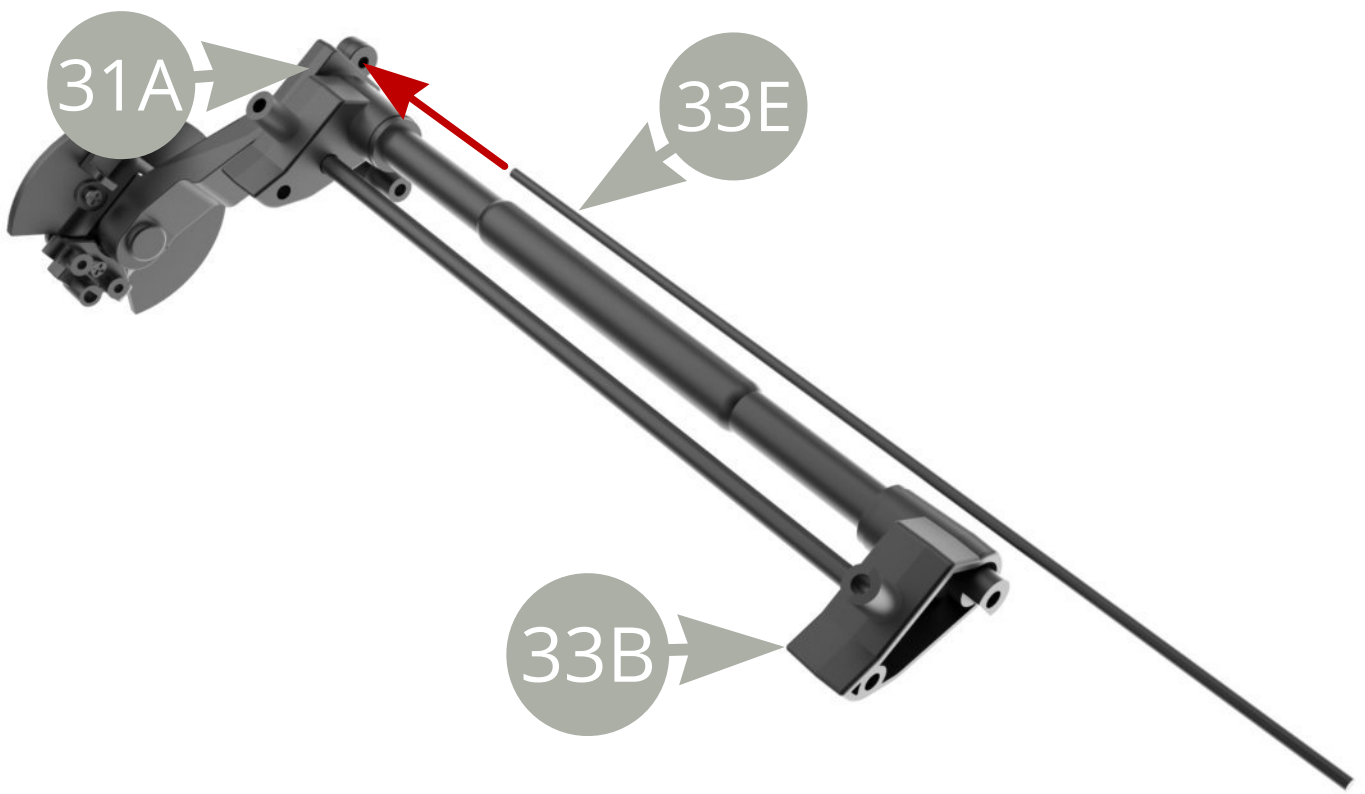
Fit **31A Rear axle left trailing arm** to **33C Rear axle cross-tube** and fix with **JM screw** .



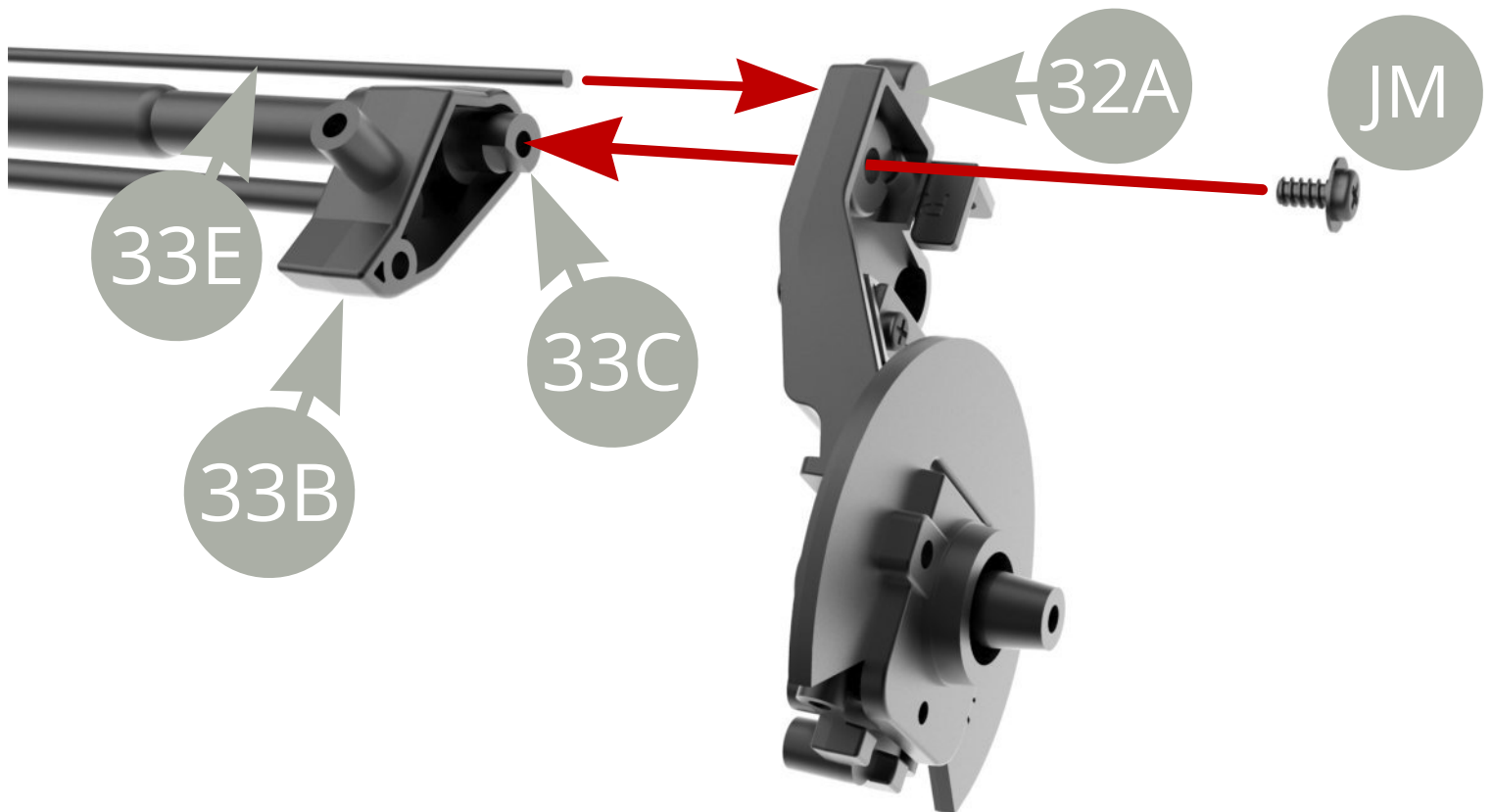
Fit **33D Rear torsion bar** to **33A Rear axle left mount** .



Fit **33C Rear axle cross-tube** and **33D Rear torsion bar** to **33B Rear axle right mount** .



Fit **33E Front torsion bar** to **31A Rear axle left trailing arm** .



Fit **32A Rear axle right trailing arm** to **33C Rear axle cross tube** , **33E Front torsion bar** and fix with **JM screw** .

Final views .



# Assembly drawing .

