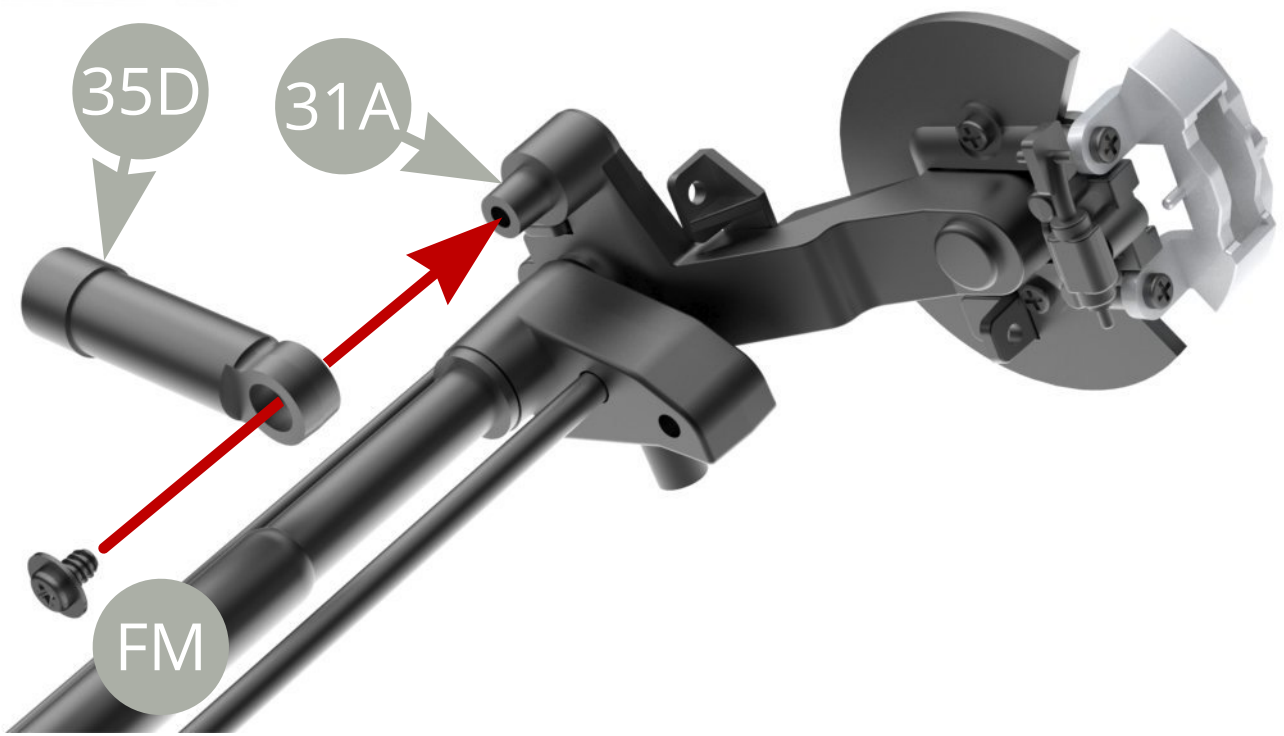
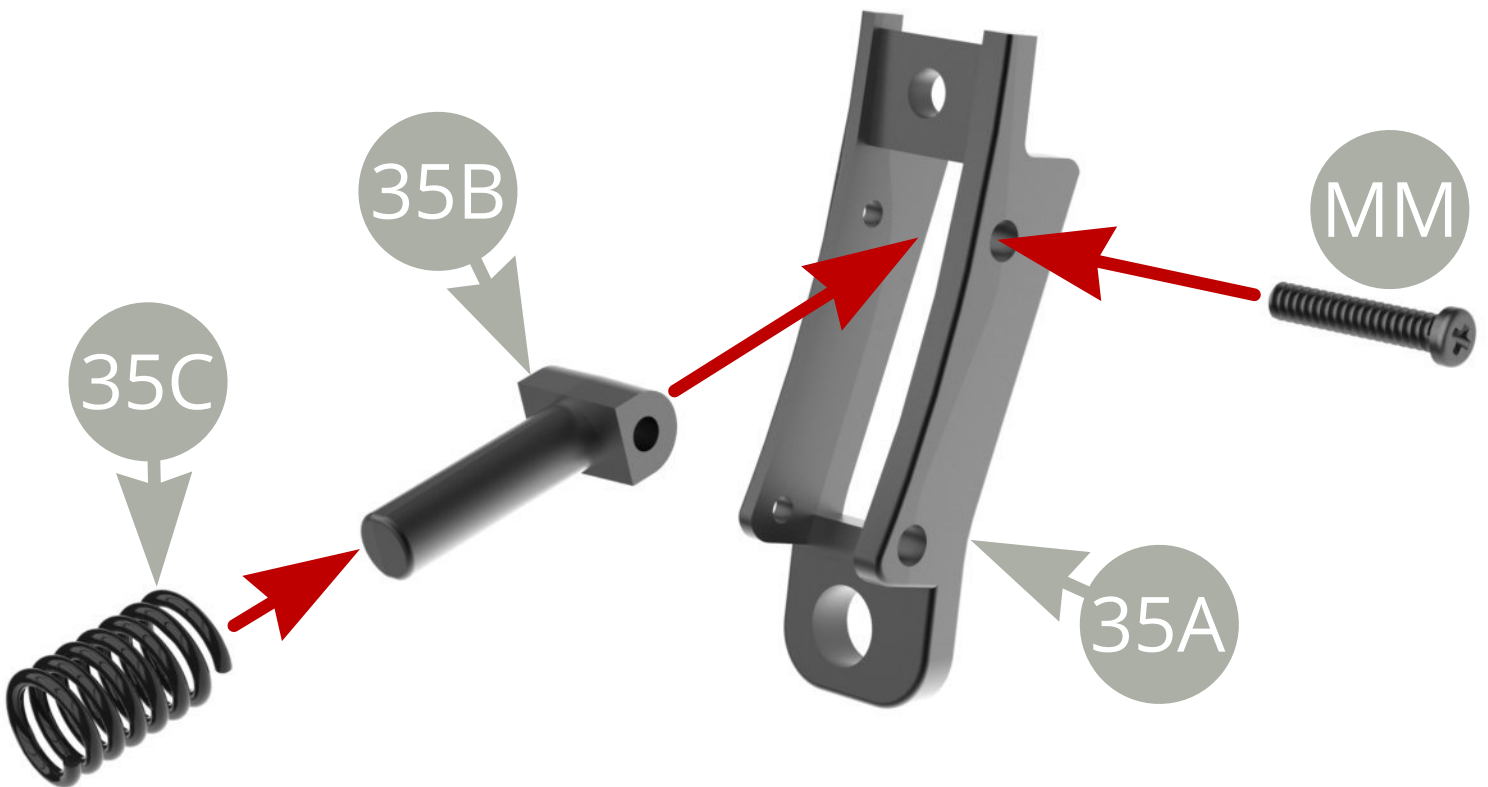


- 35A Rear axle left base
- 35B Shock absorber piston
- 35C Shock absorber spring
- 35D Shock absorber cylinder
- 35E Outer splash shield
- 35F Inner splash shield

- AM M1,7 x3mm ( x6 )
- FM M2,3 x3x5.5mm ( x2 )
- MM M2,3 x13mm ( x3 )

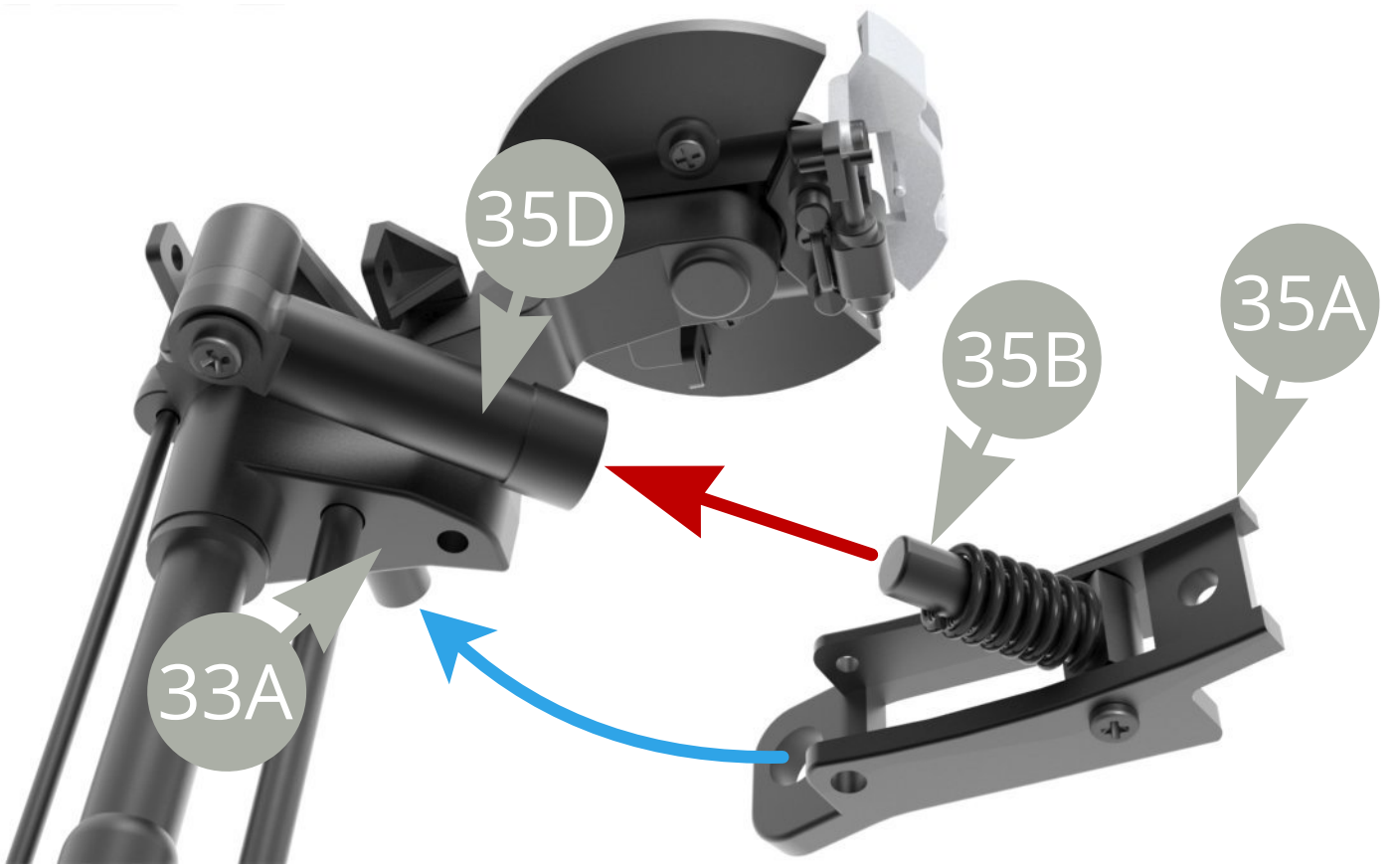


Fit **35D Shock absorber cylinder** to **31A Rear axle left trailing arm pin** and fix with **FM screw** .

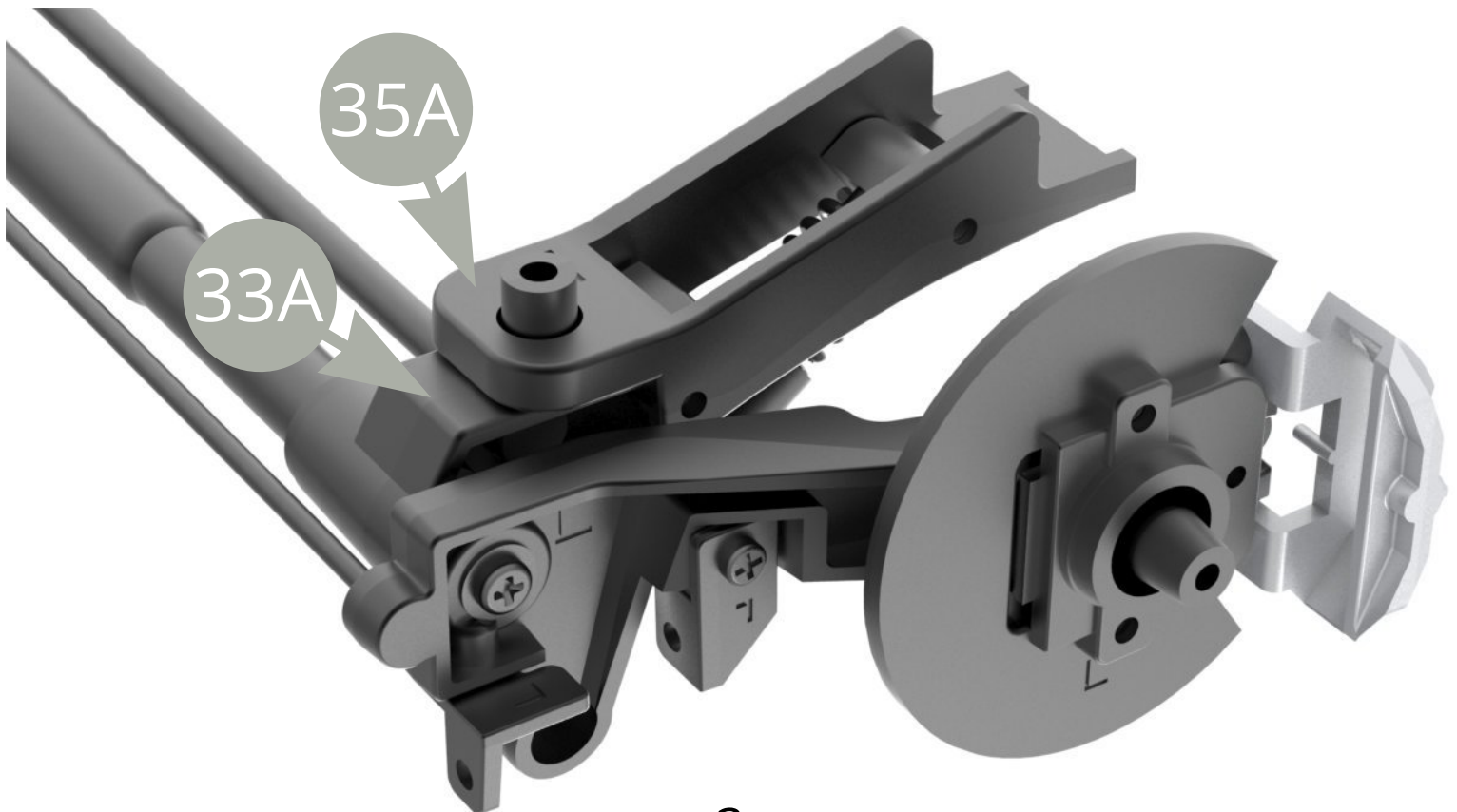


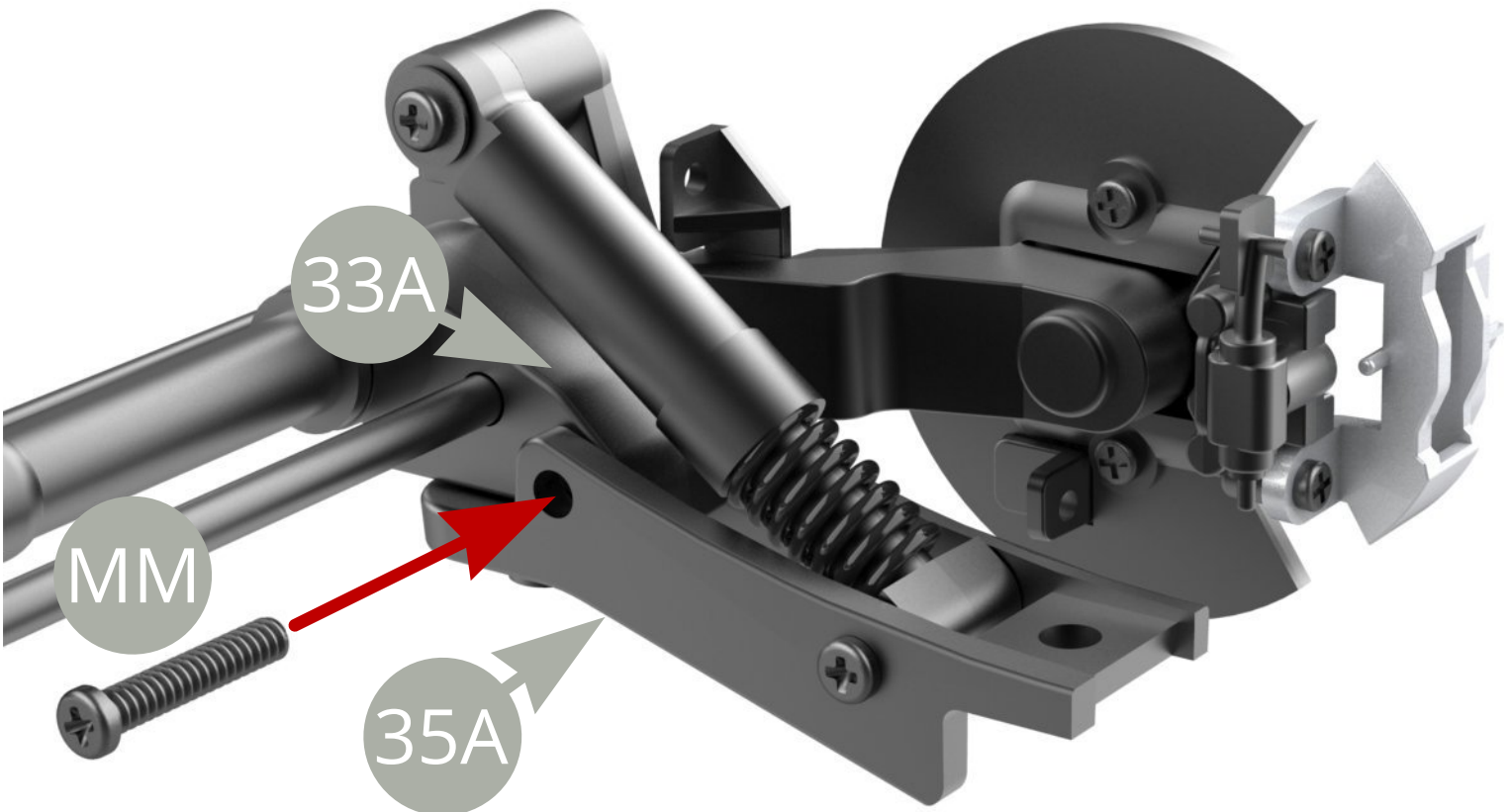
Fit **35B Shock absorber piston** to **35A Rear axle left base** and fix with **MM screw** .

Fit **35C Spring** on **35B Shock absorber piston** .

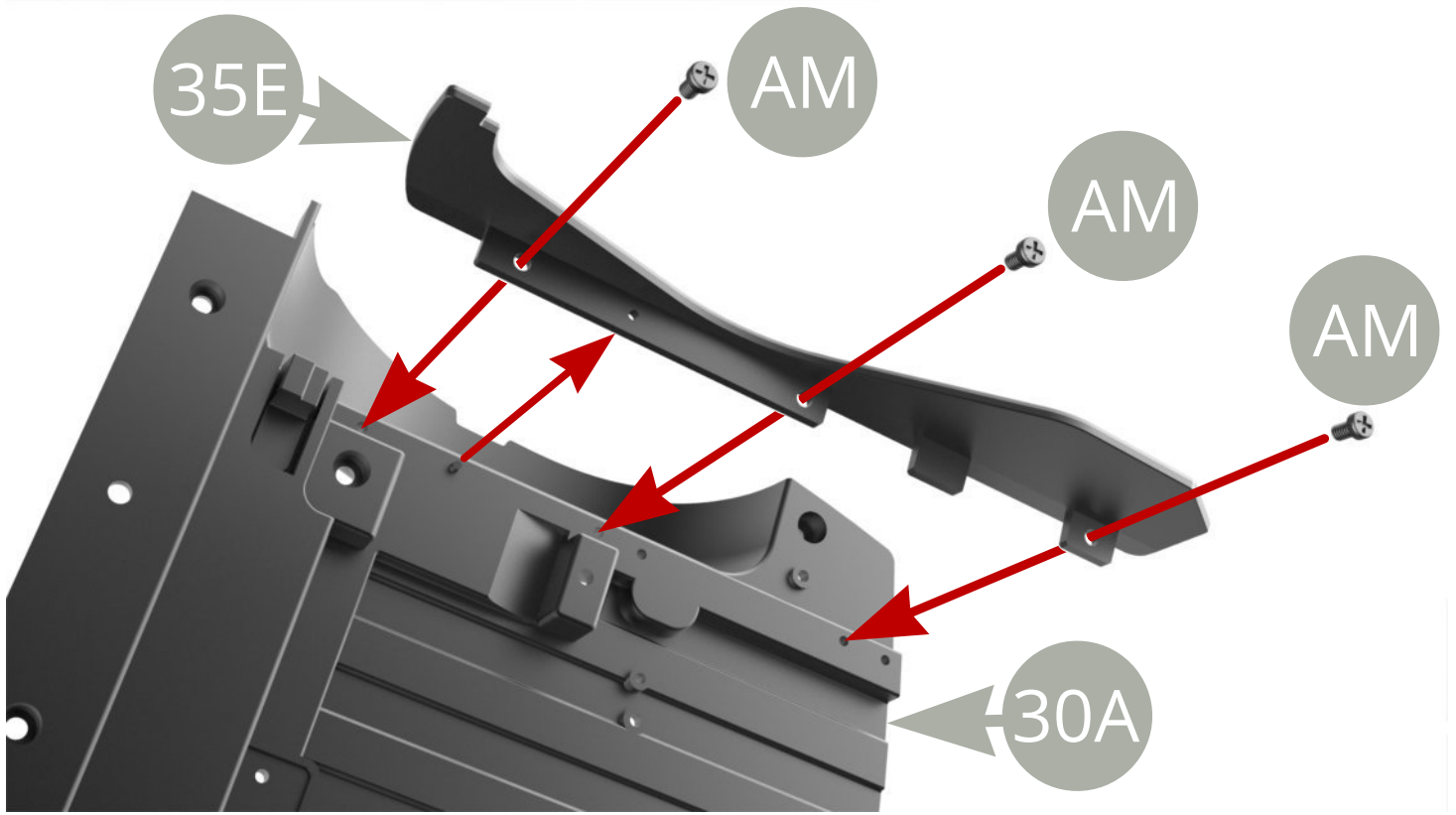


Fit **35B shock absorber piston** into **35D Shock absorber cylinder** and then , fit **35A Rear axle left base end** on **33A Rear axle left mount pin** ( illustrations above and below ) .

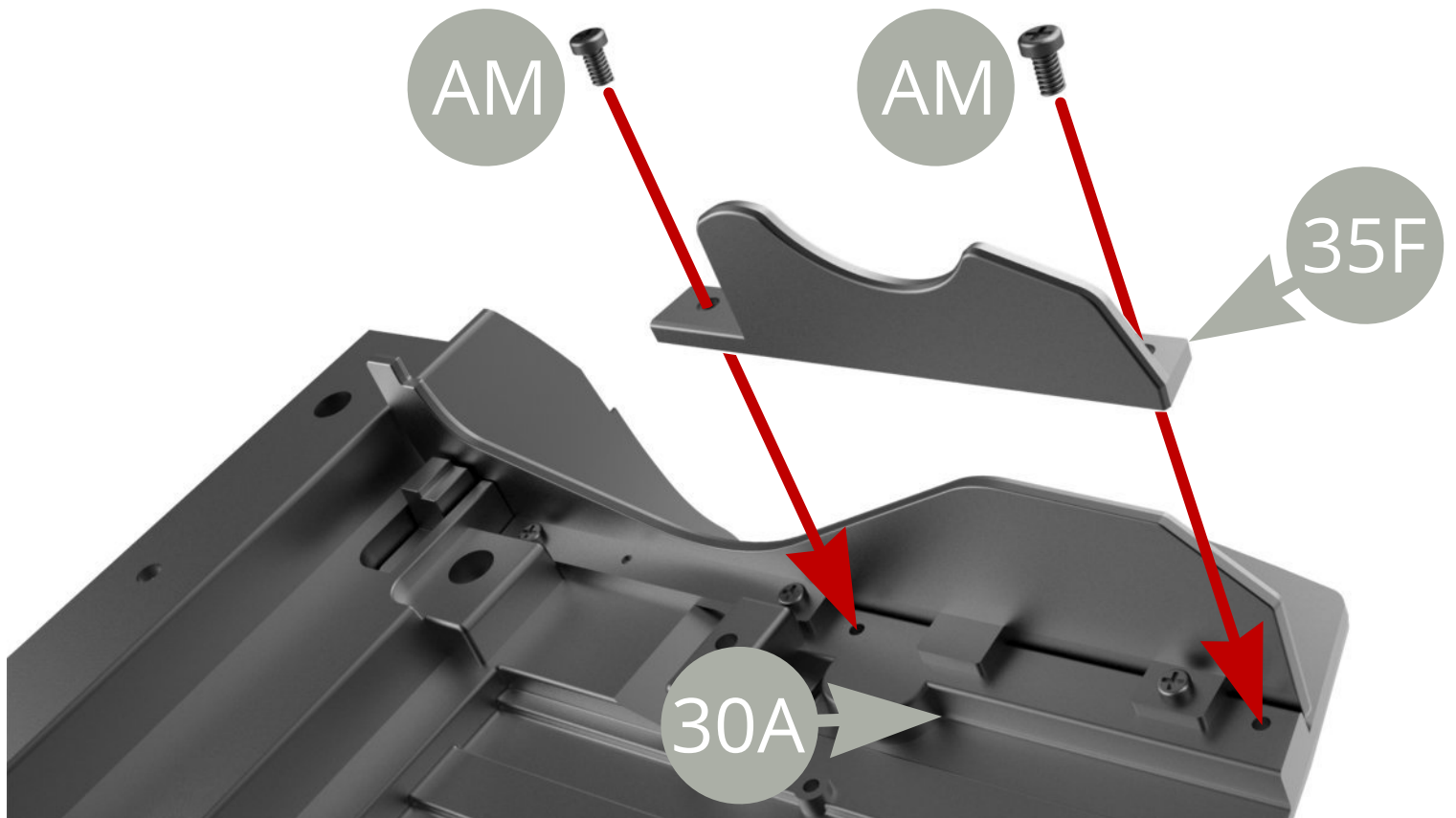




Fix **33A** Rear axle left mount to **35A** Rear axle left base with **MM** screw .

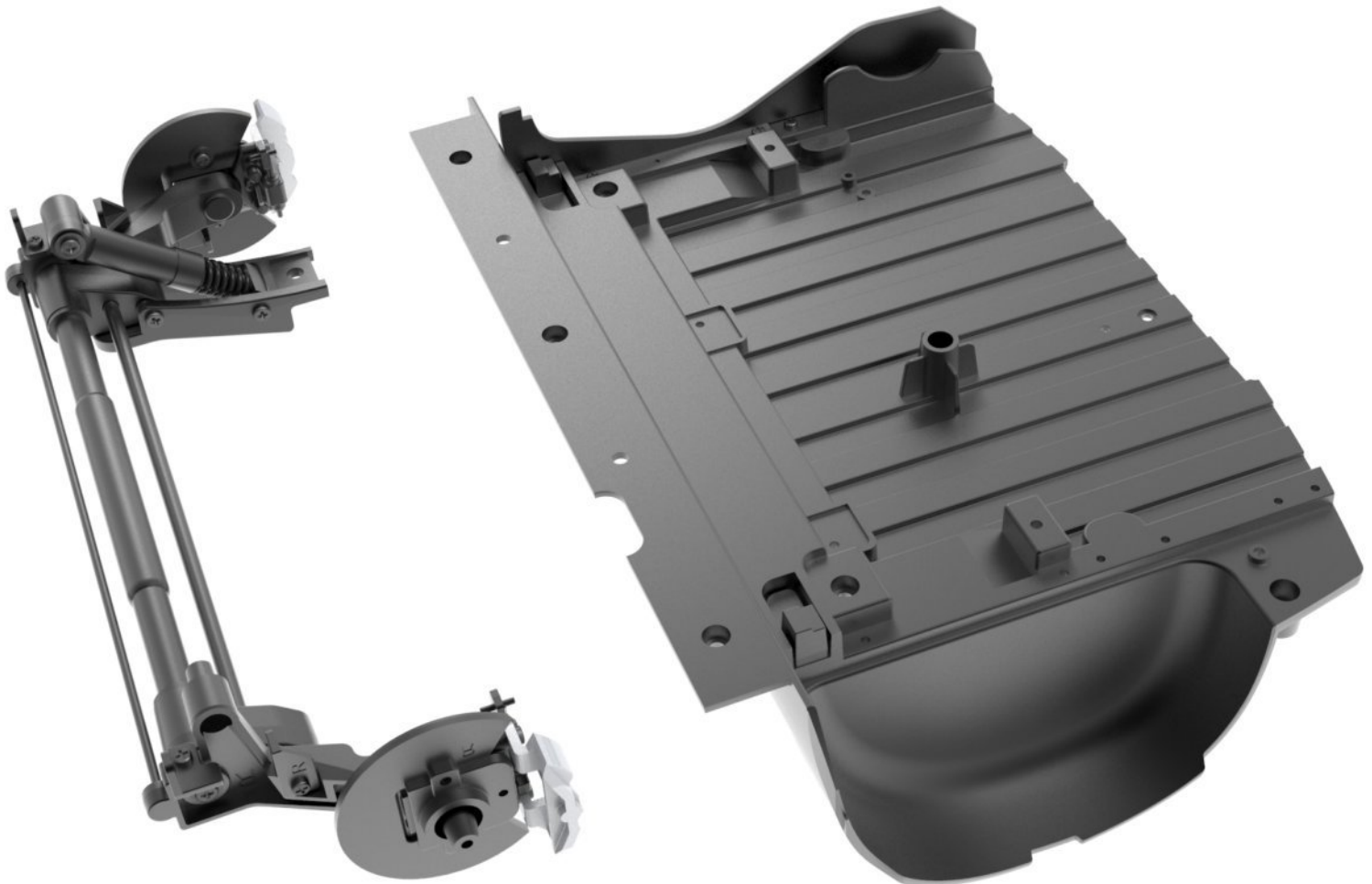


Fit **35E Outer splash shield** to **30A Chassis rear section** and fix with three **AM screws** .



Fit **35F Inner splash shield** to **30A Chassis rear section** and fix with two **AM screws** .

Final views .



Assembly drawings .

