



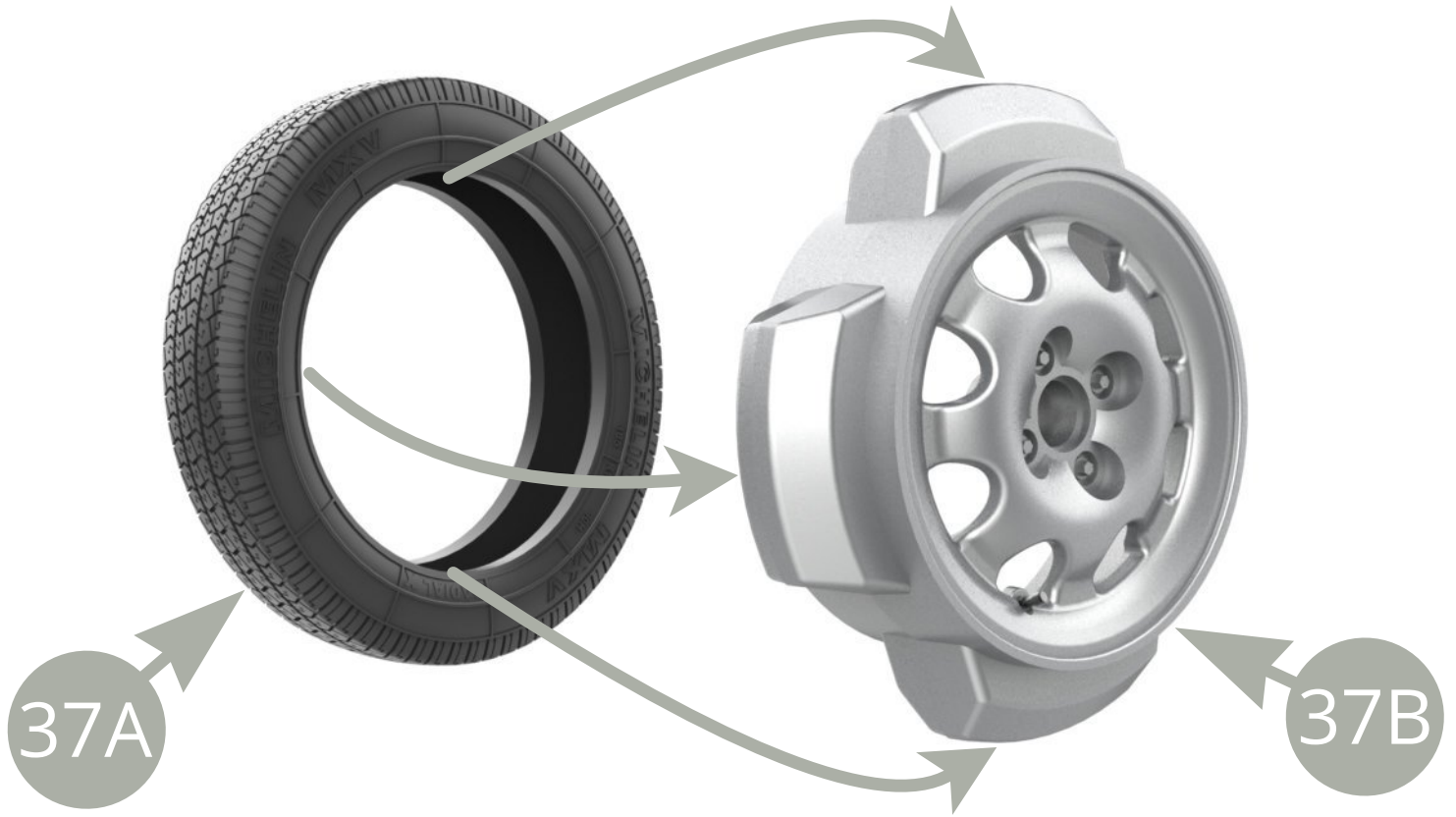
37A Michelin MXV tire

37B Wheel rim

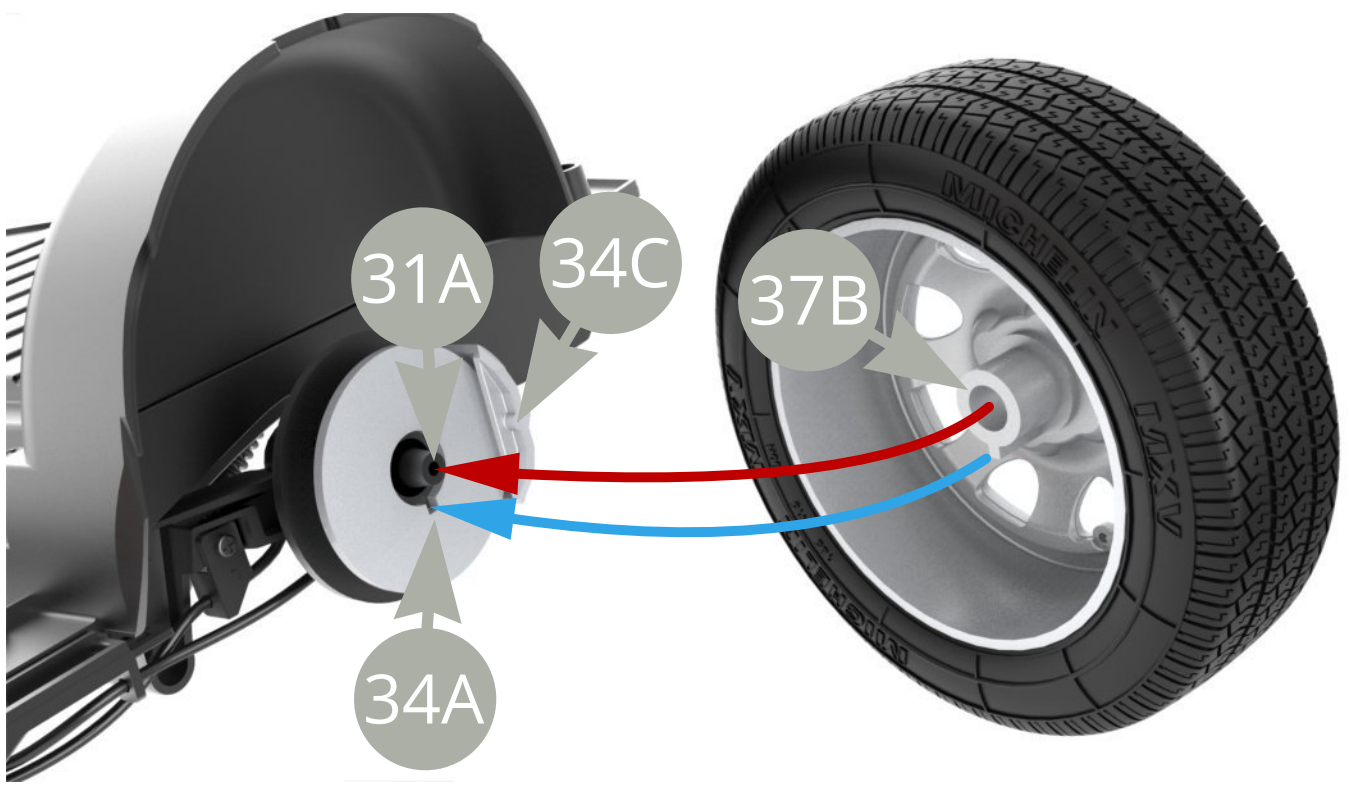
37C Hub cover

37D Washer

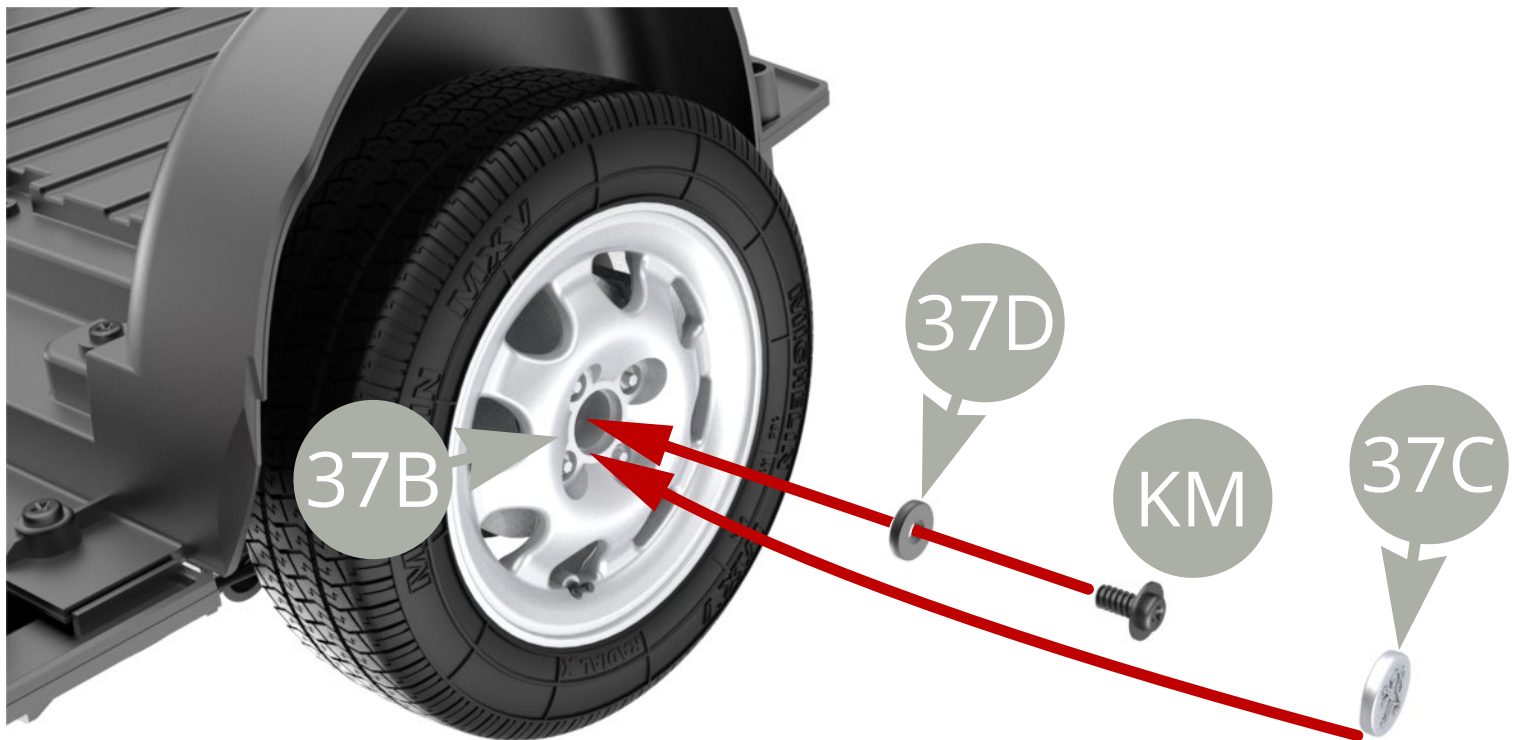
KM M2,3 x5x5,5 ( x2 )



Put **37A Michelin MXV tire** for **two minutes** into **hot water** , for softening , and then fit it over **37B Wheel rim** .

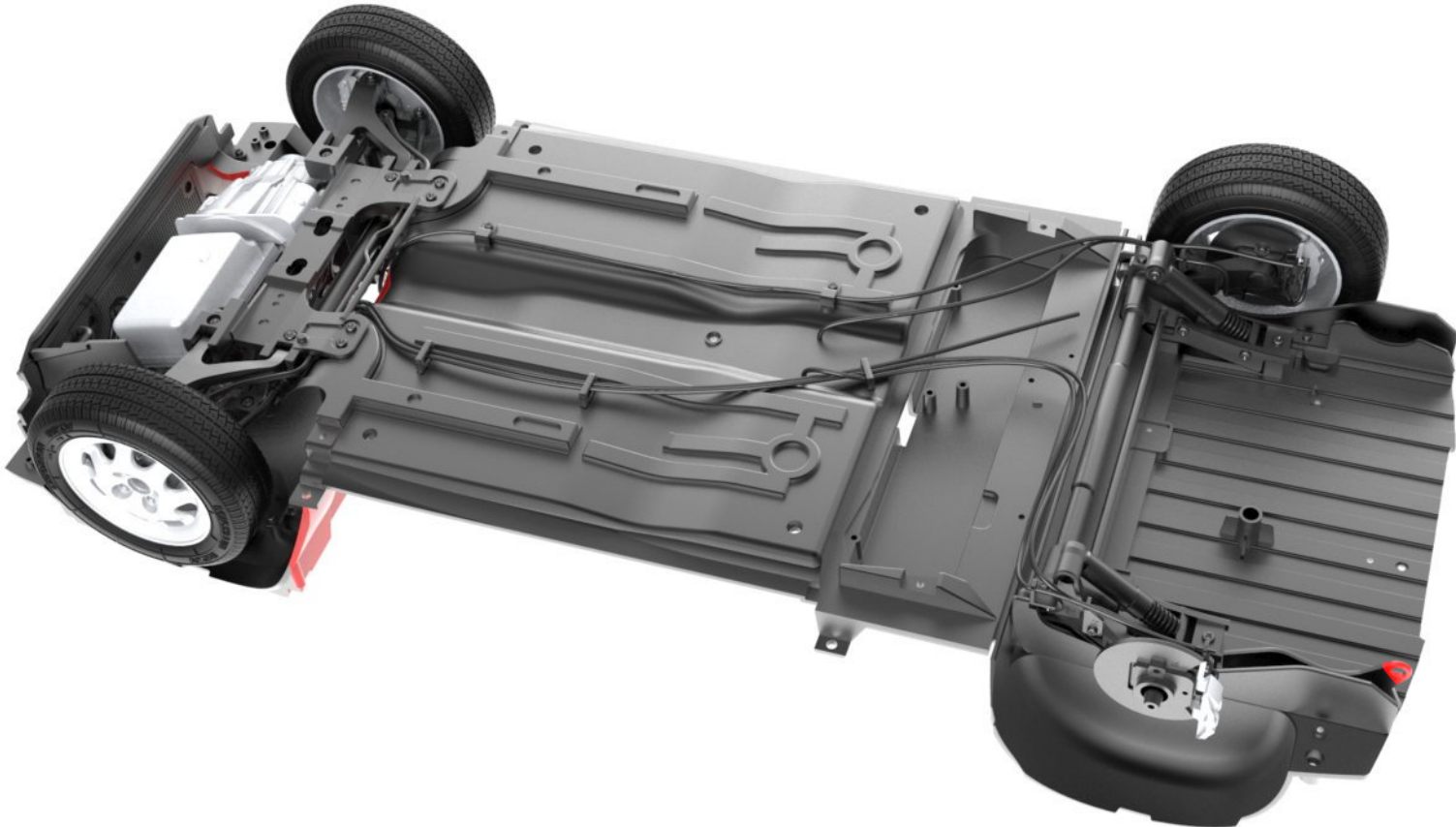
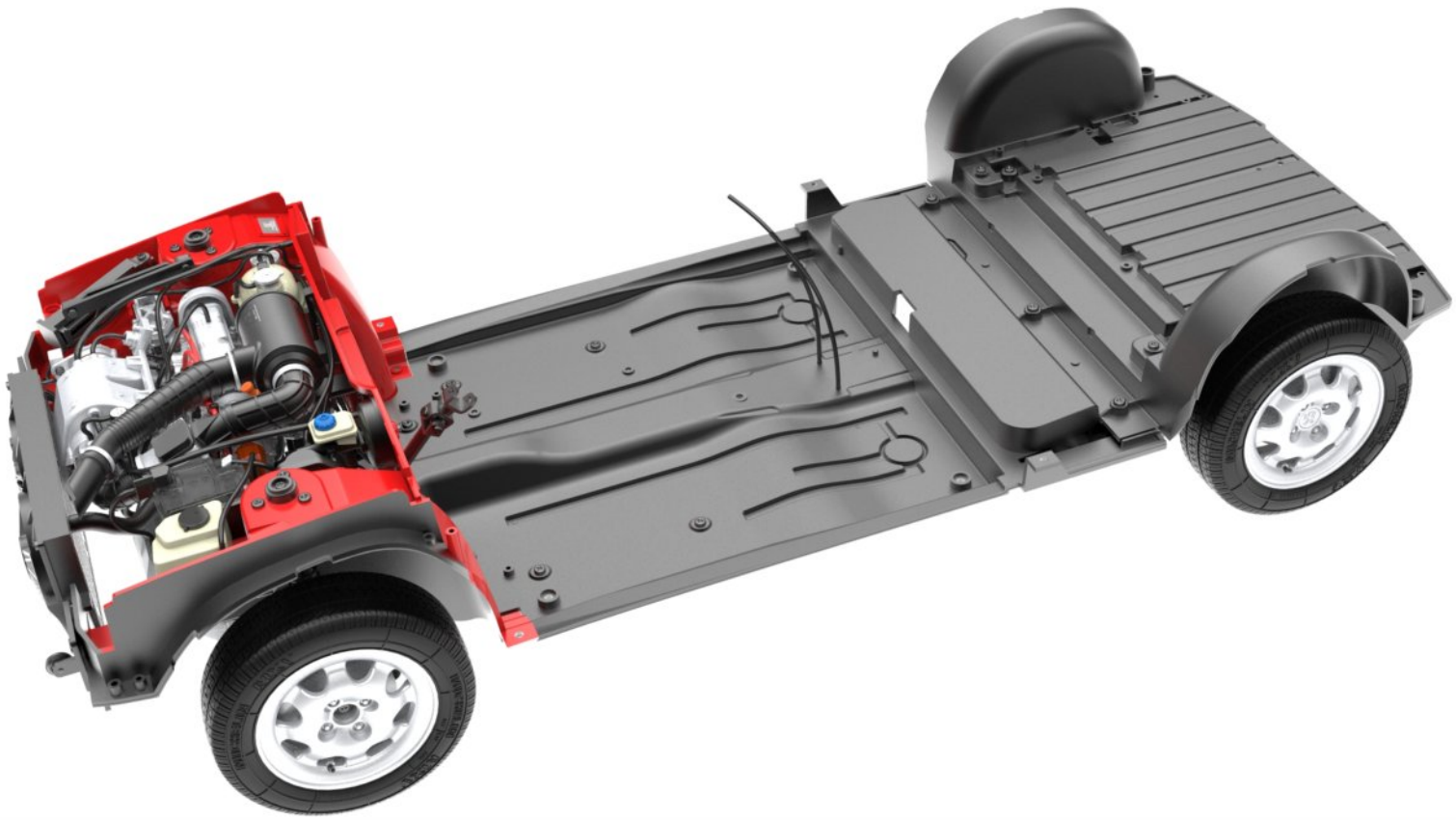


Fit **34A Brake disc** on **31A Rear axle** ( entering also into **34C Brake caliper** ), and then fit **37B Wheel rim** inner hub on **31A Rear axle** , engaging its key into notch on **34A Brake disc** ( **blue arrow** ) .



Fix **37B Wheel rim** with **KM screw** via **37D Washer** .  
Fit **37C Hub cover** to **37B Wheel rim** .

Final views .



# Assembly drawings

