

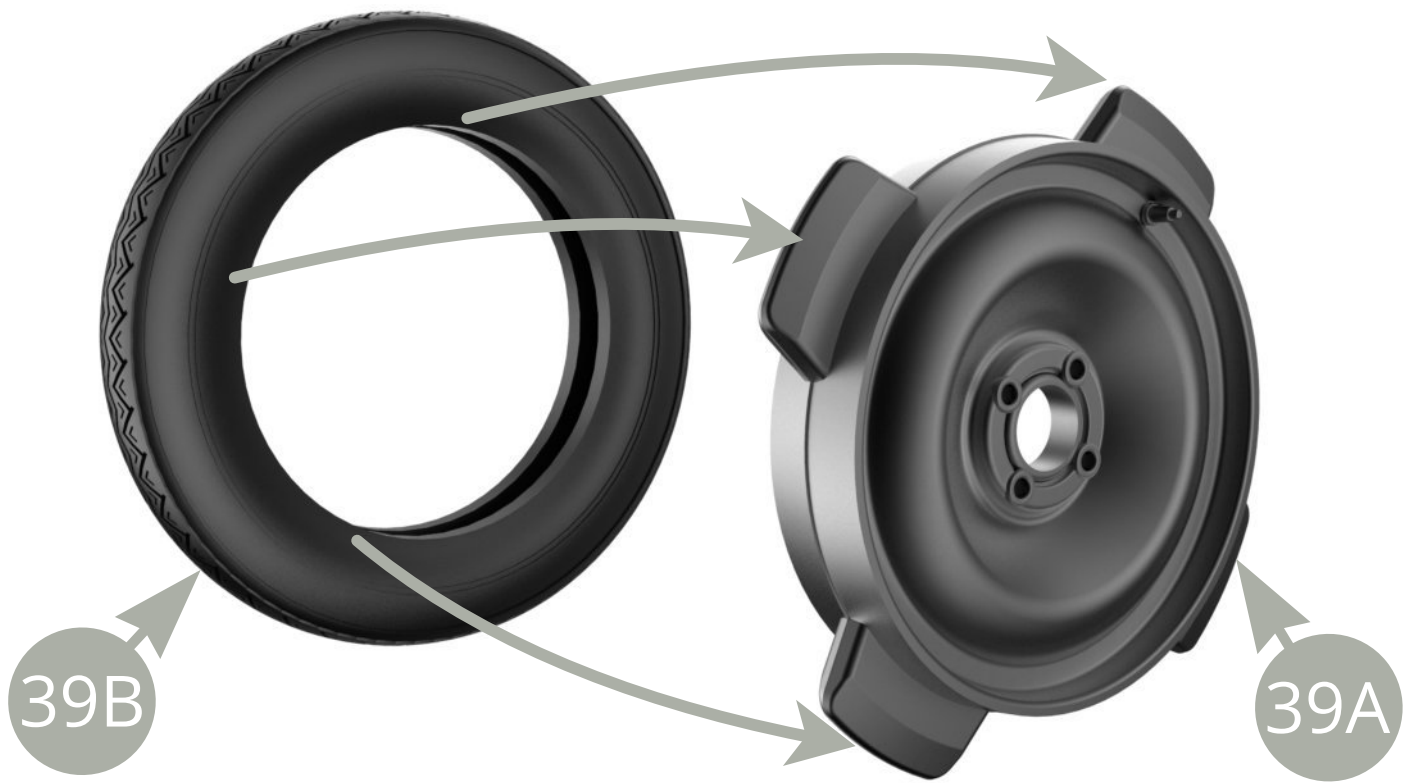


39A



39A Spare wheel rim

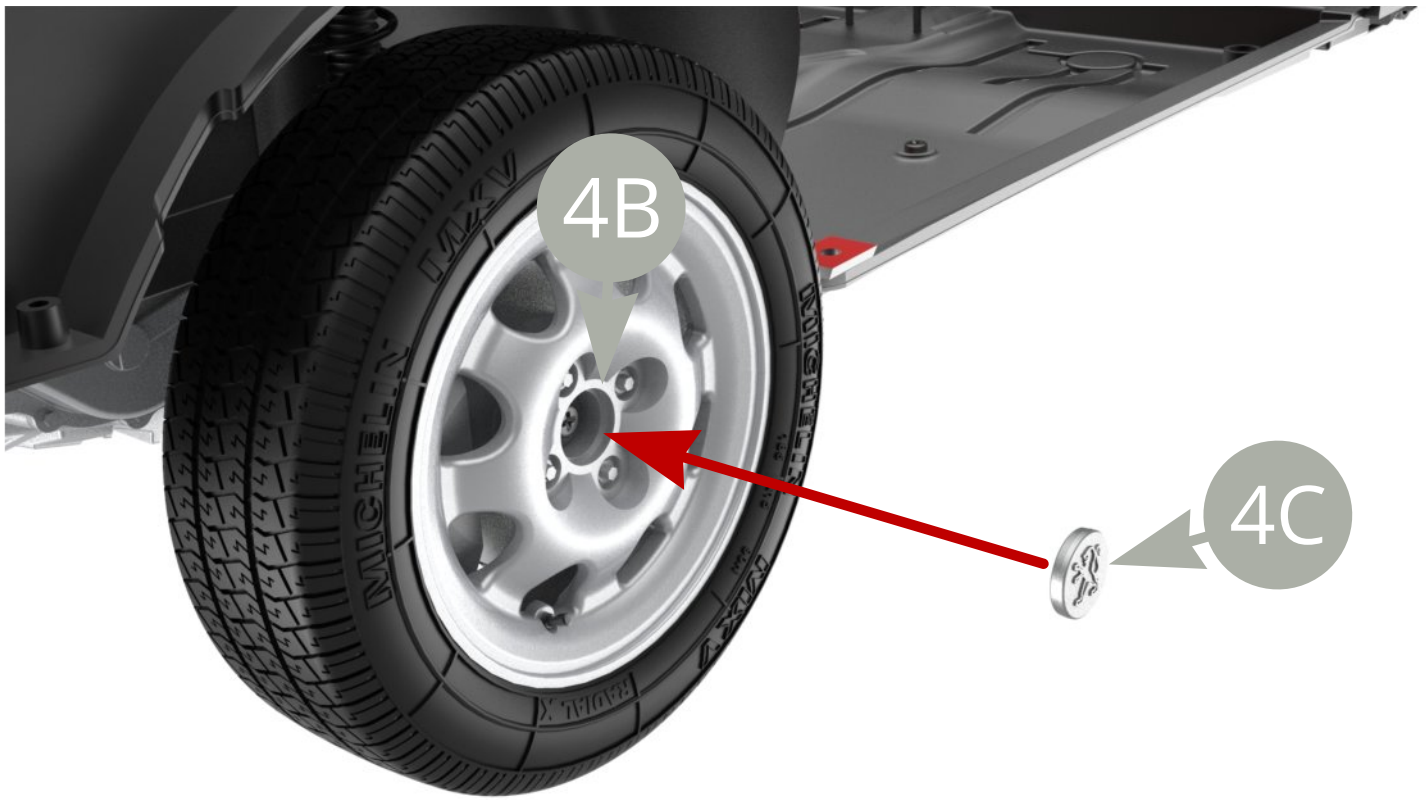
39B Spare tire



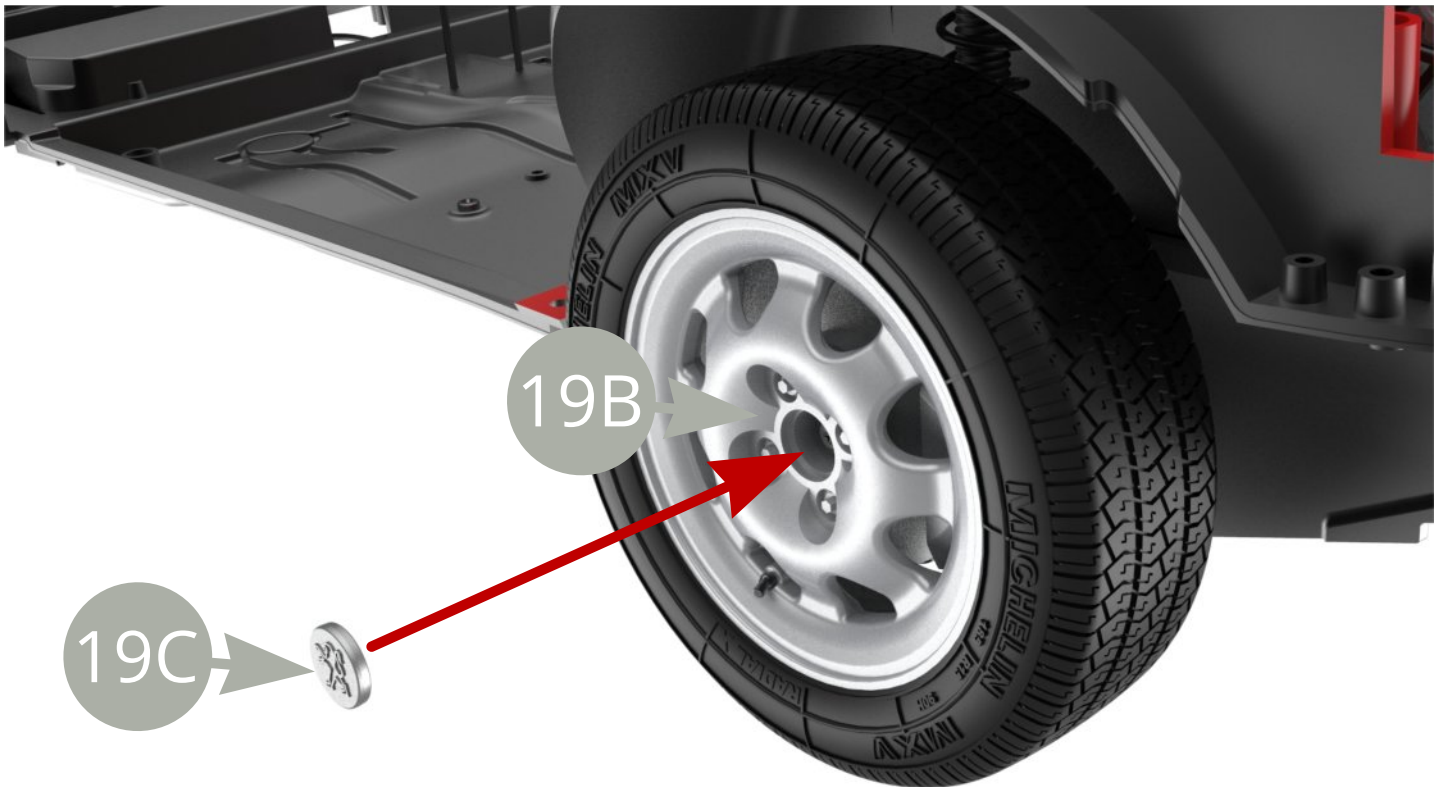
Put **39B Spare tire** for **two minutes** into **hot water** ,
for softening , and then fit it over **39A Wheel rim** .



Assembled **Spare wheel** .



Fit **4C Hub cover** to front left **4B Wheel rim** .
4C Hub cover is identical and interchangeable
with **19C Hub cover** .



Fit **19C Hub cover** to front right **19B Wheel rim** .

Final views .



Assembly drawings .

