

42A Exhaust silencer top

42B Exhaust exit pipe

42C Exhaust silencer bottom

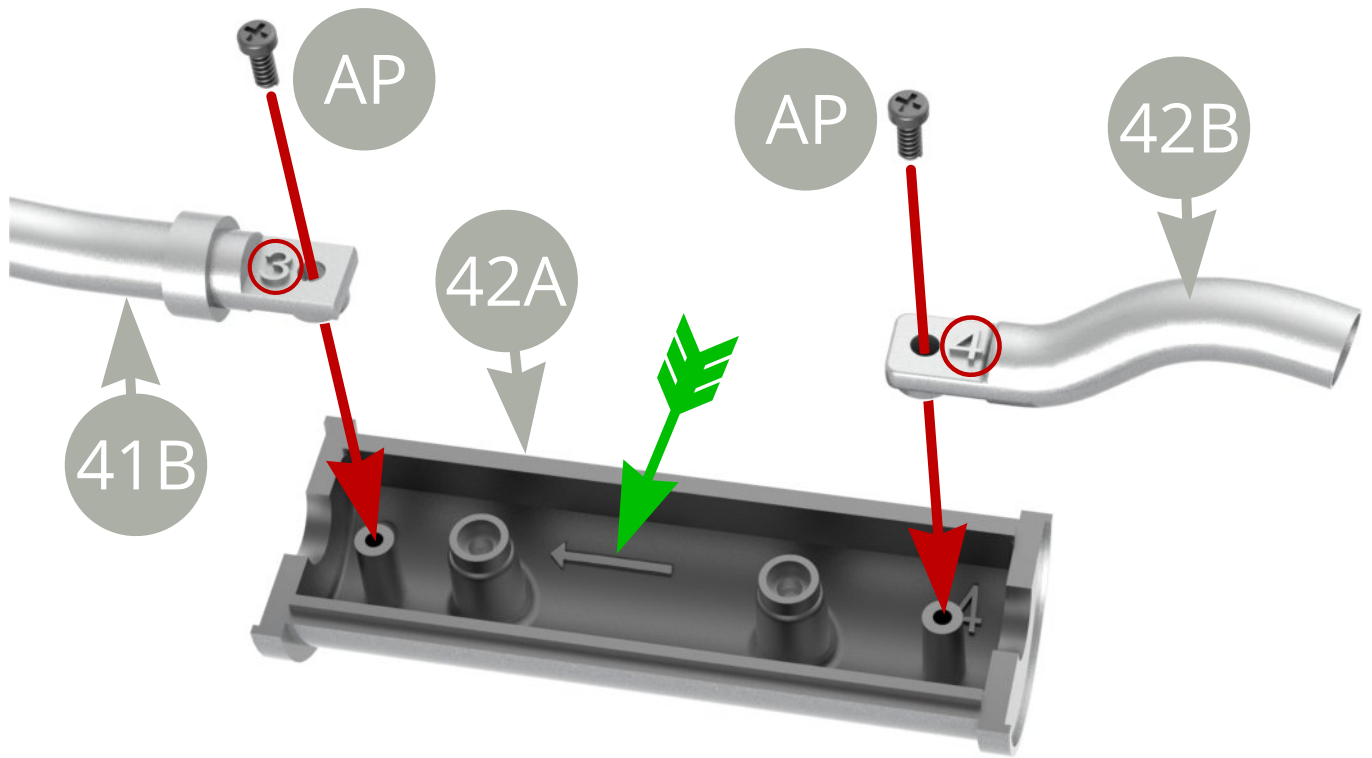
42D Exhaust silencer clip

42E Exhaust mount

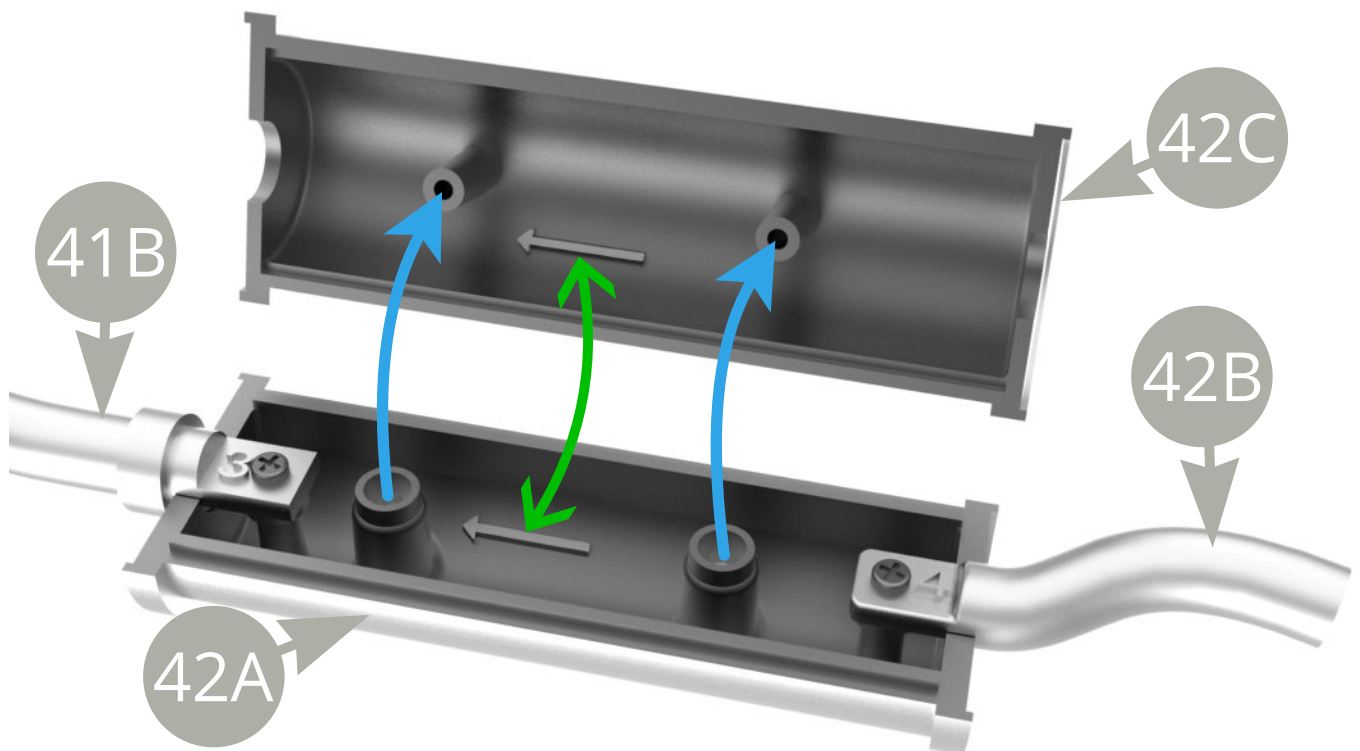
42F Replacement decal (x2 , one spare)

AP M1,7 x4mm (x5)

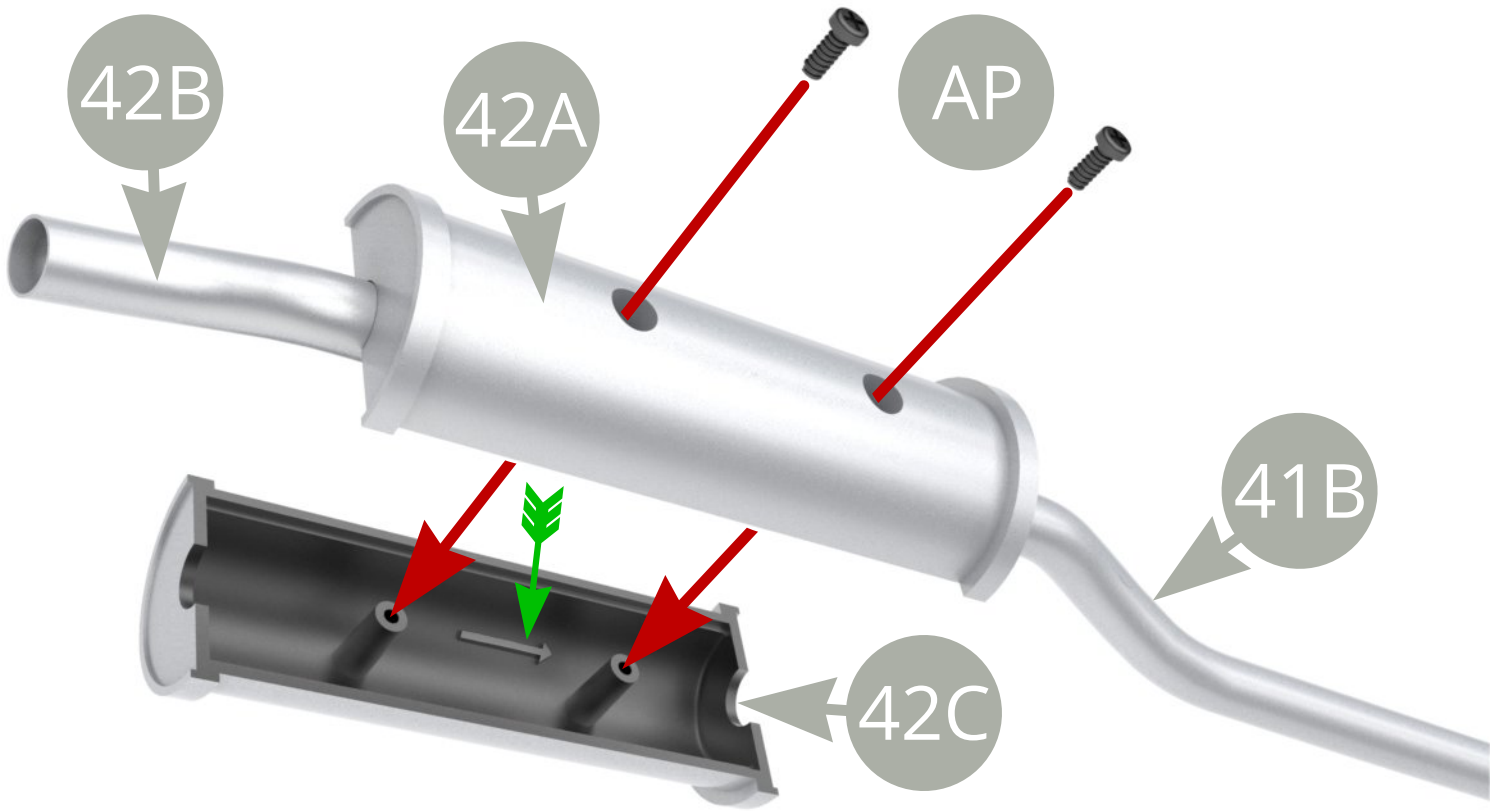
CM M1,7 x4mm (x2)



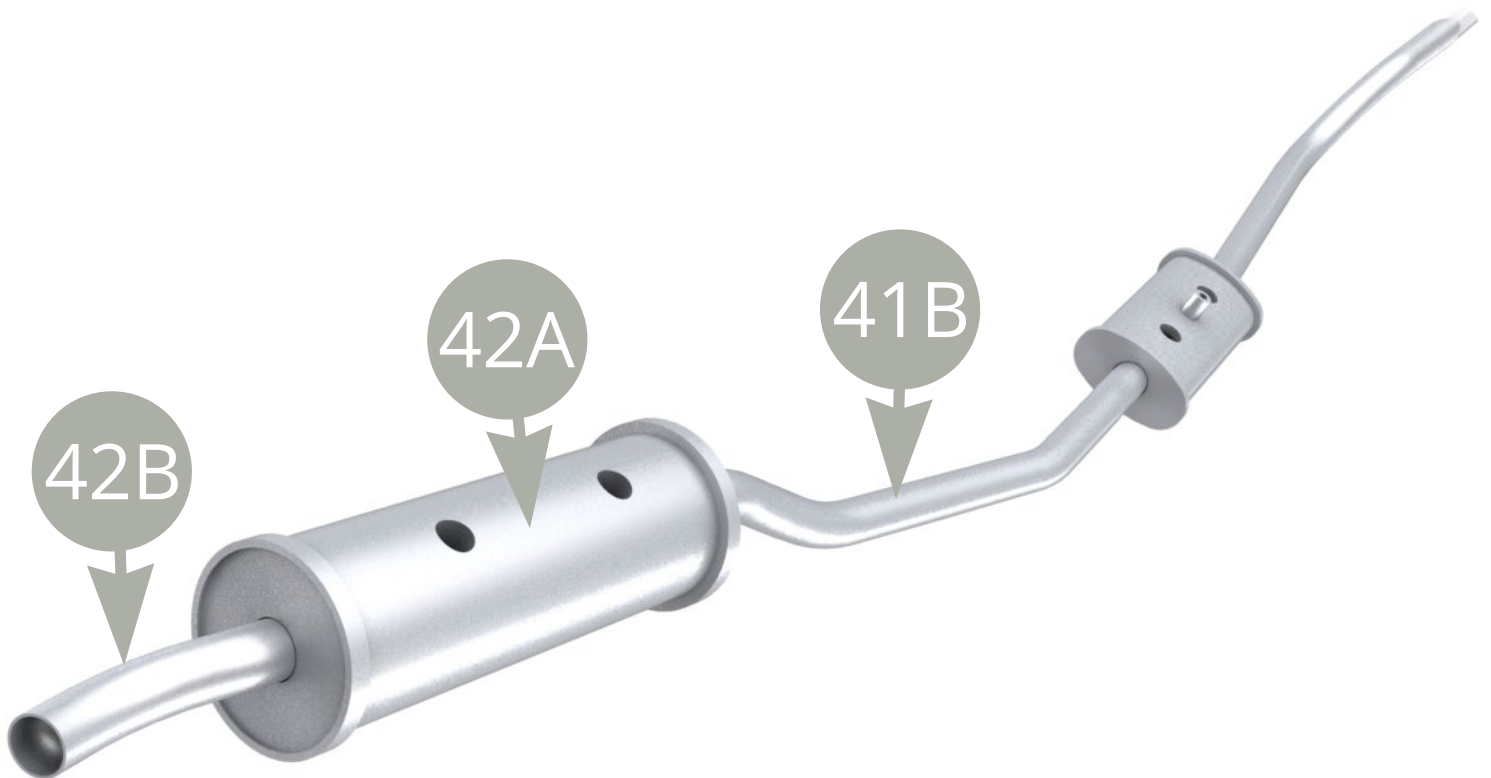
Minding **red circled markings** and **green arrow** direction engravings alignment , fit **41B Exhaust mid pipe (3)** and **42B Exhaust exit pipe (4)** to **42A Exhaust silencer top** nests , and fix each one with **AP screw** .



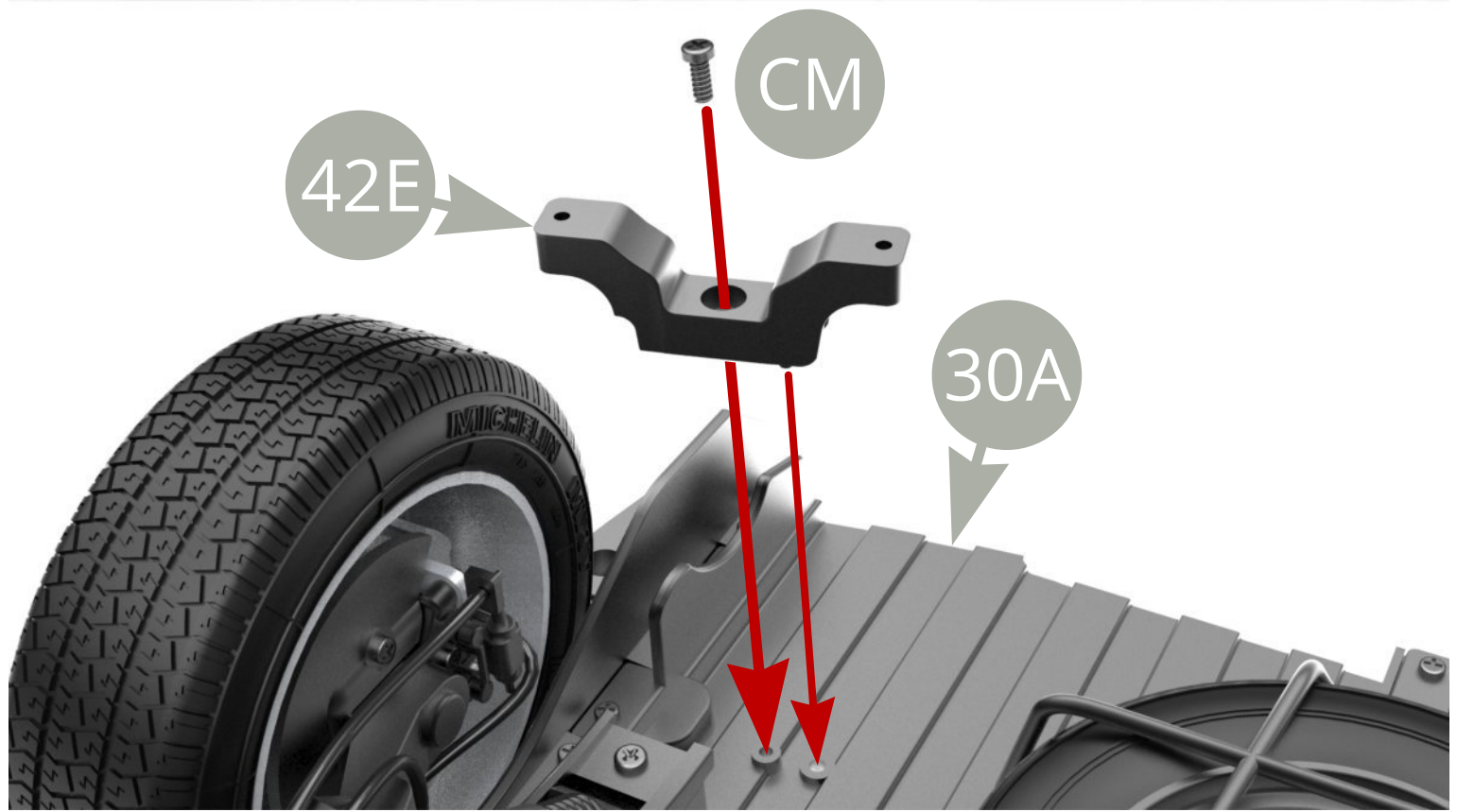
Align **42A Exhaust silencer top** to **42C Exhaust silencer bottom** following engraved arrows pointed by **green arrow** .



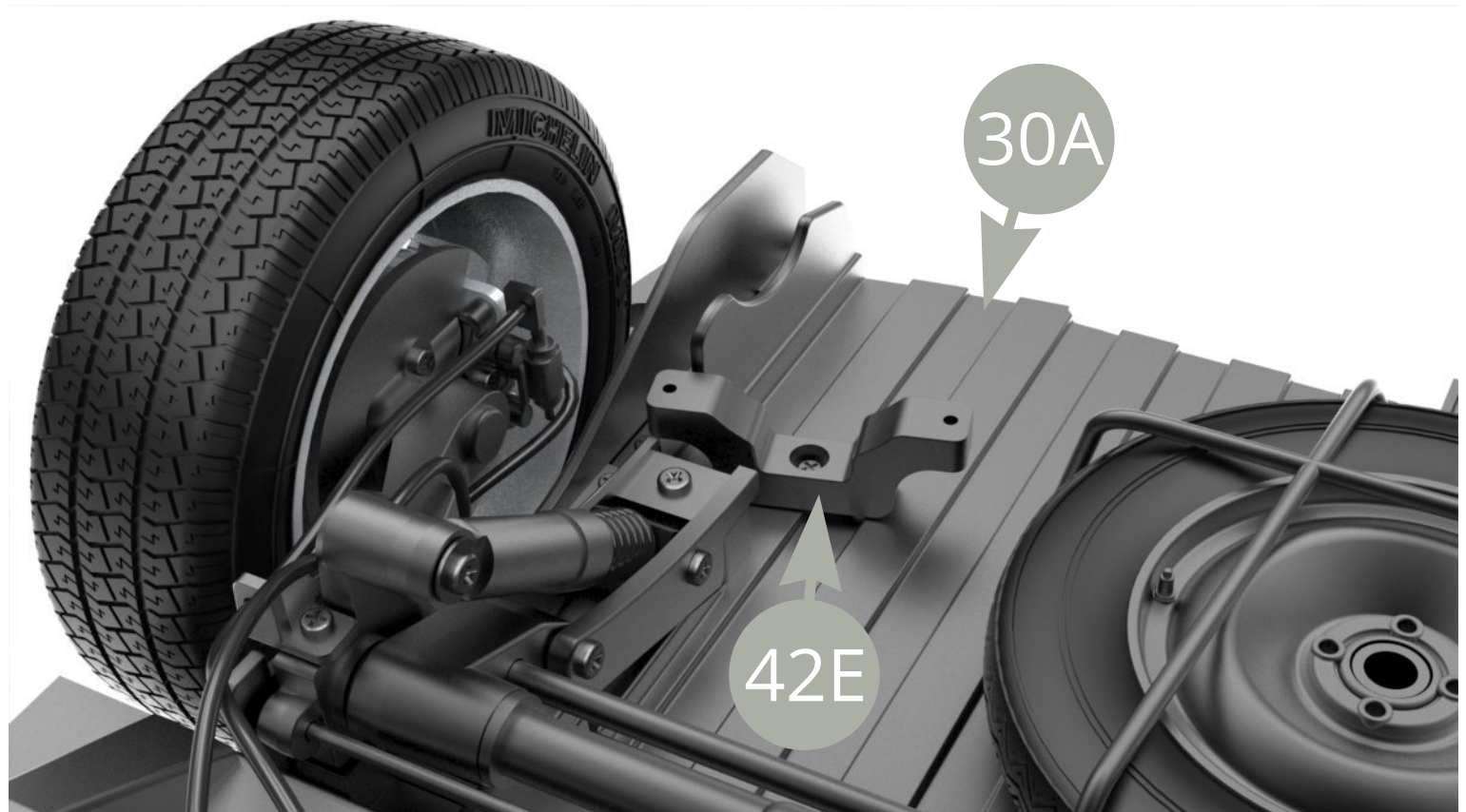
Fix **42A Exhaust silencer top** to **42C Exhaust silencer bottom** with two **AP screws** .

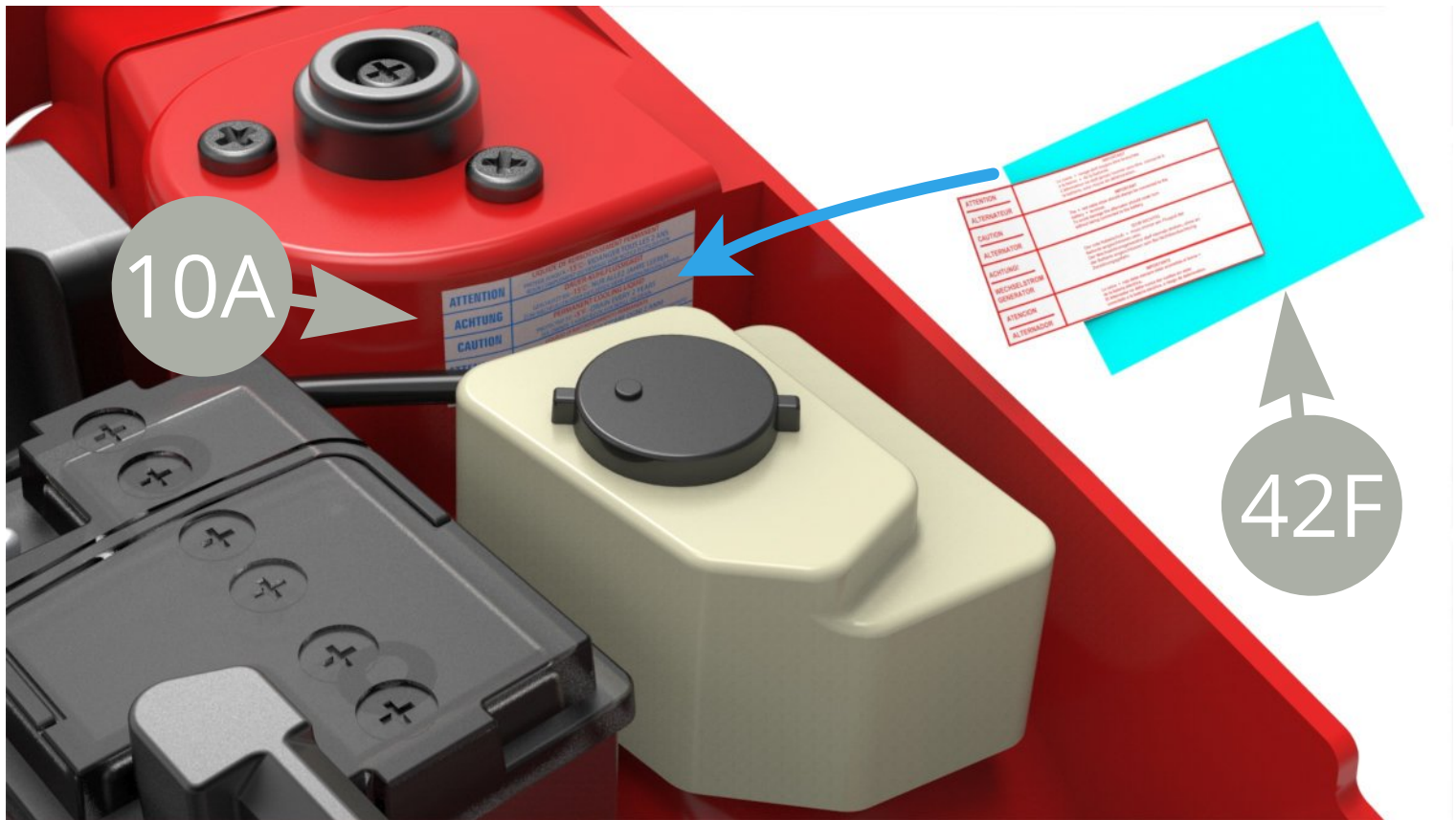


Assembled Exhaust line .



Fit **42E Exhaust mount** to **30A Chassis rear section** and fix with **CM screw** (top and bottom illustrations) .

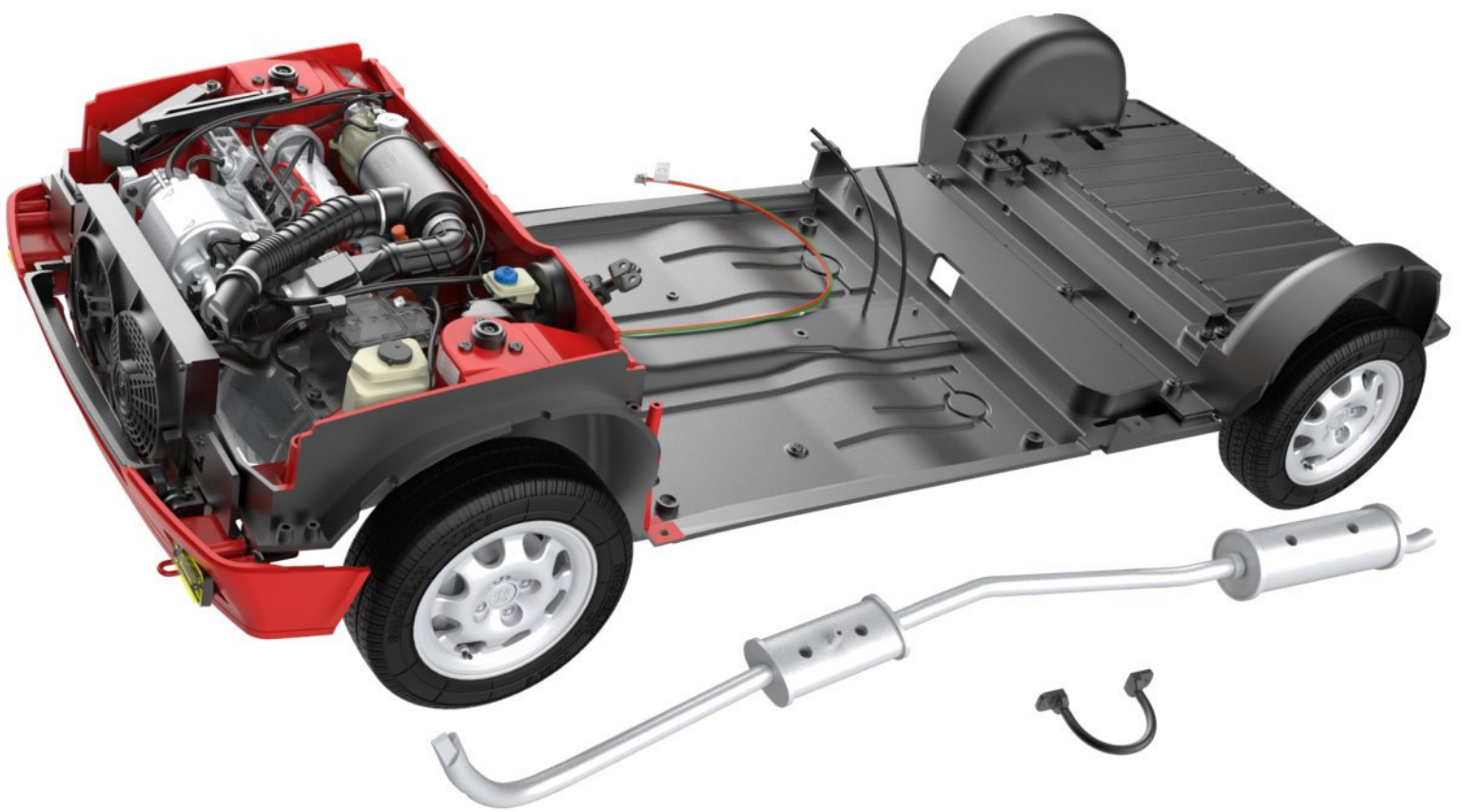
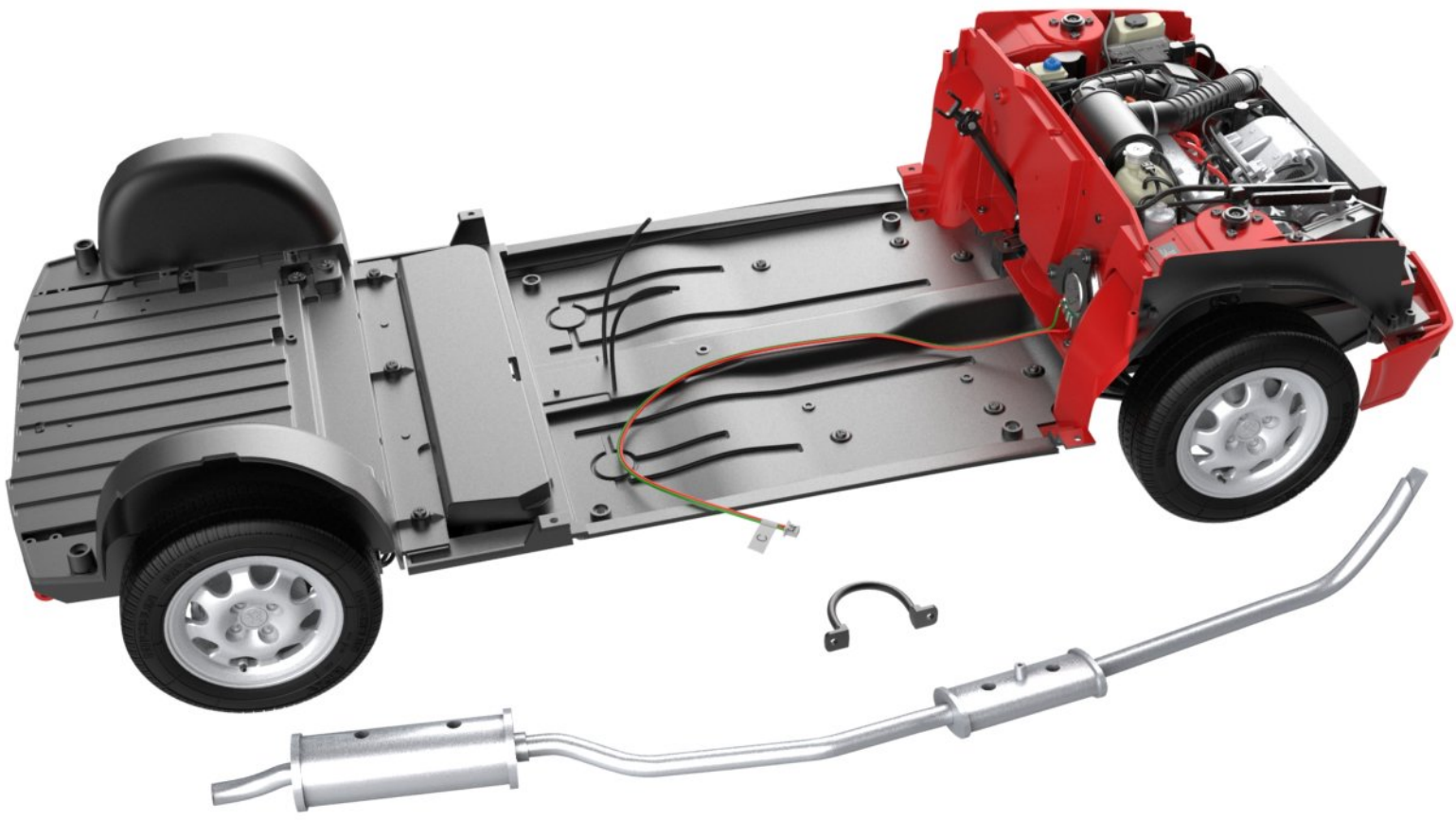




Fit **42F Replacement decal** in water for **15 seconds** , and gently slide it off backing paper , using pincers , to replace (new on top of old one) existing decal on **10A Front wheel left arc frame** (top and bottom illustrations) .



Final views .



Assembly drawings .

