

45A Cabin floor

45B Safety belt guides ( x2 )

45C Cabin floor cover

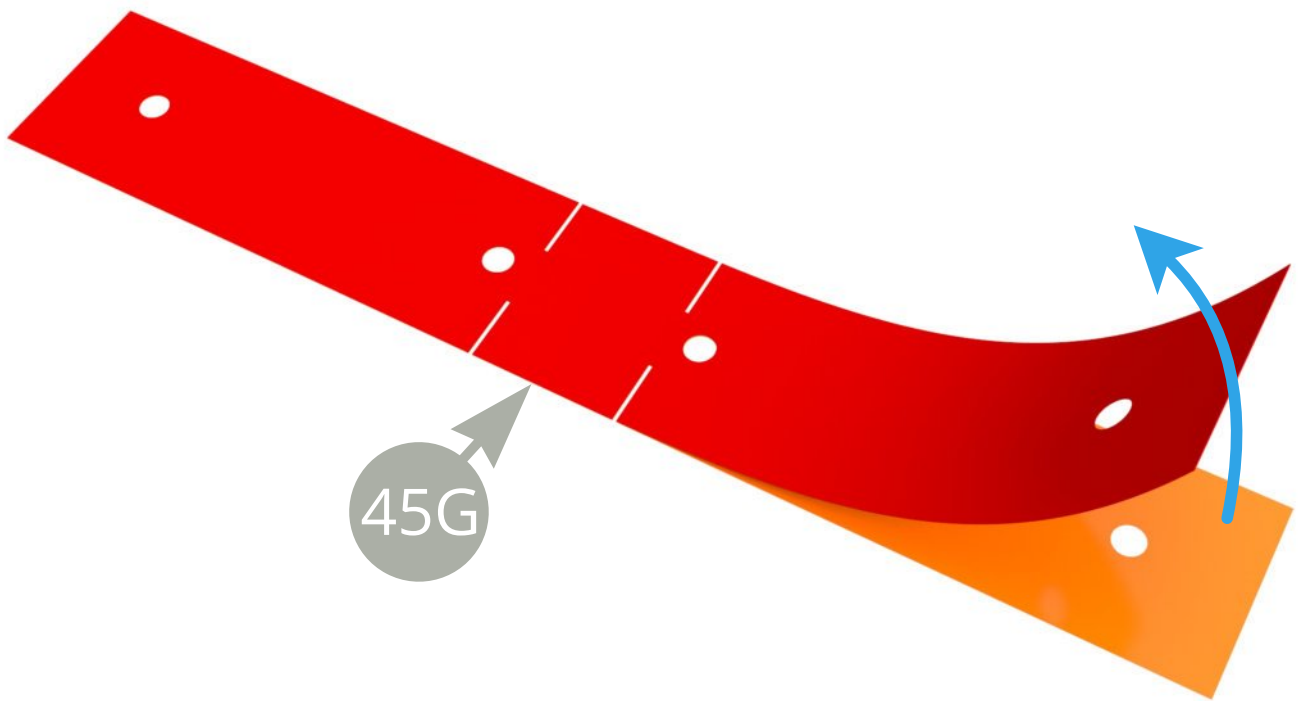
45D Cabin floor cover

45E Cabin floor cover

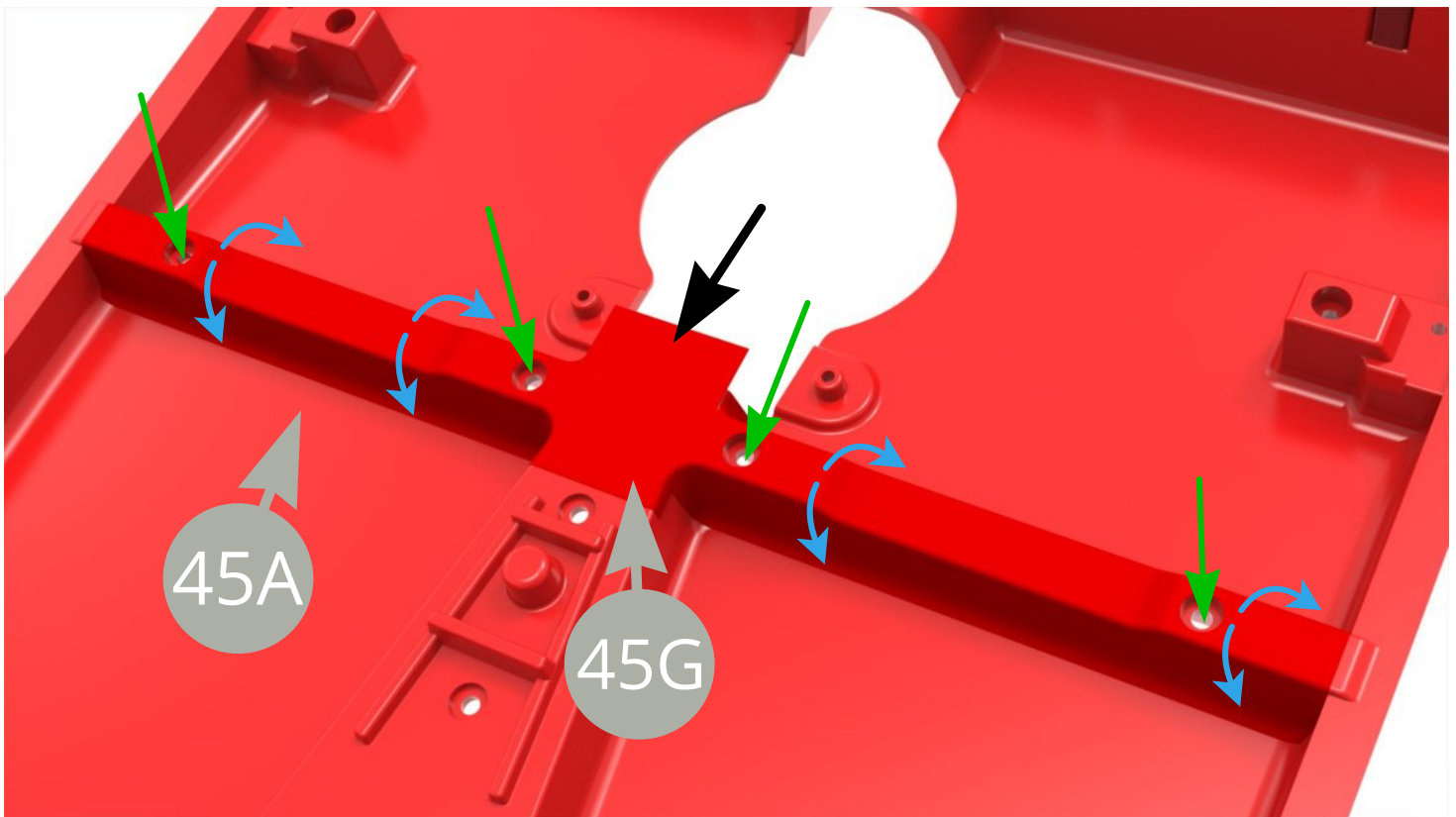
45F Cabin floor cover

45G Cabin floor cover

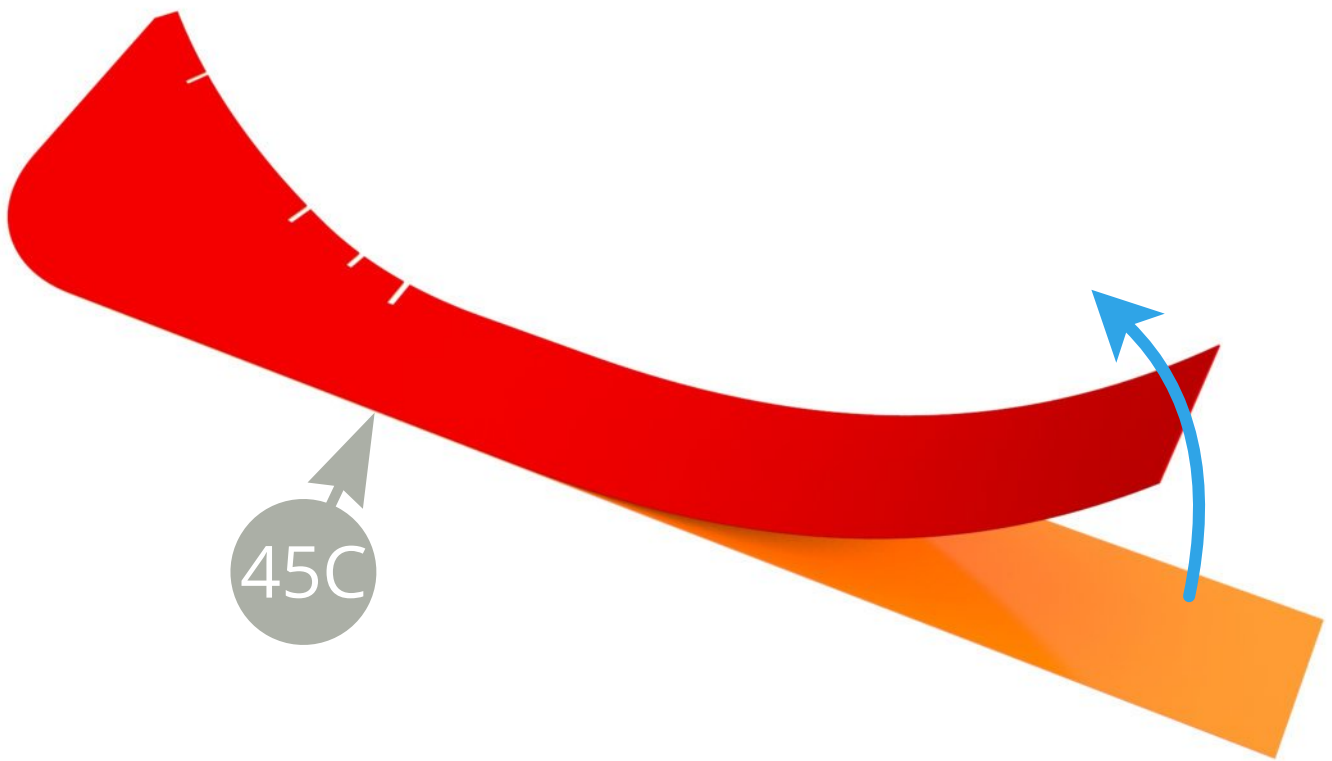
AP M1,7 x4mm ( x3 )



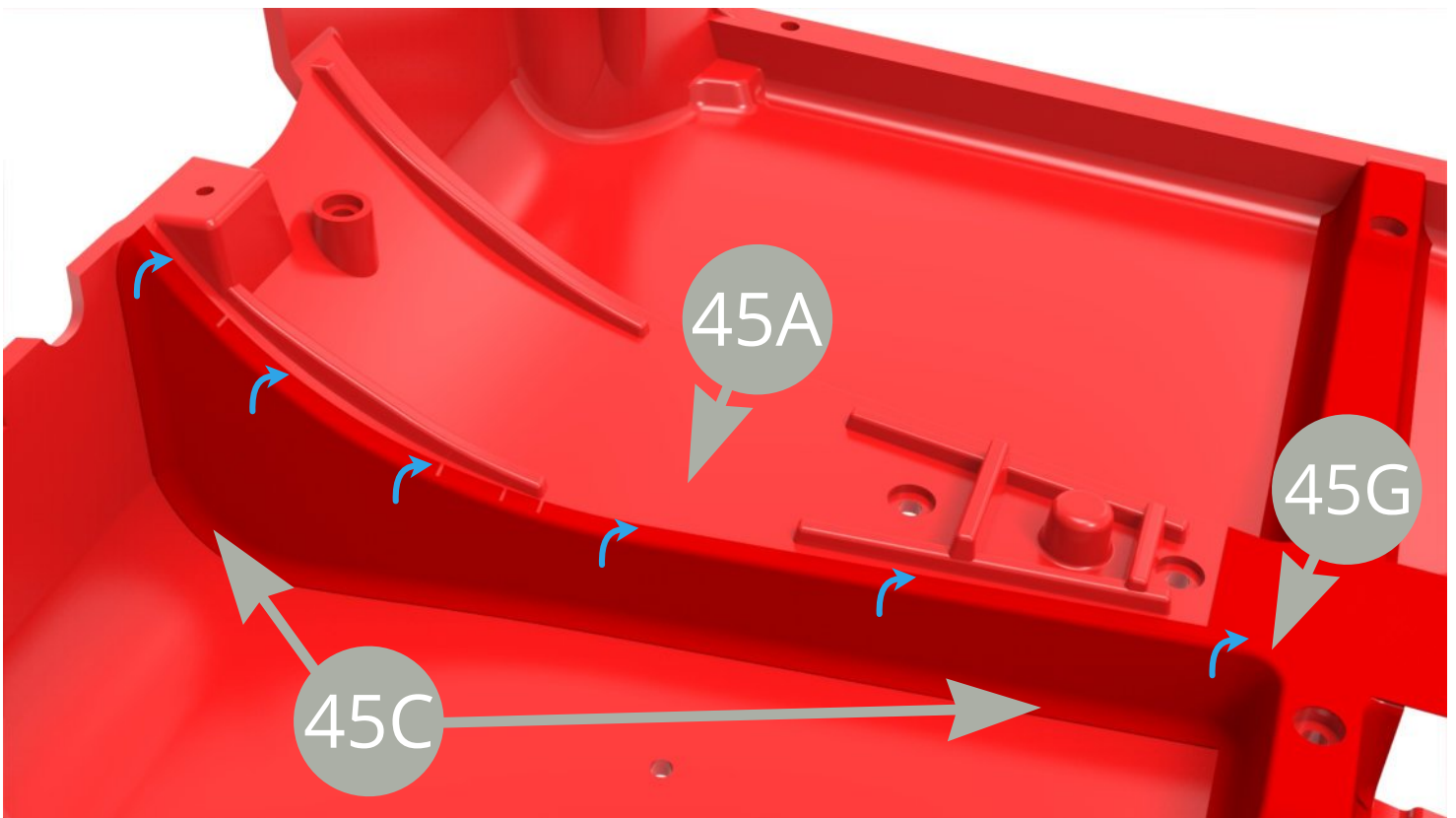
Peel **45G Cabin floor cover** off its backing paper .



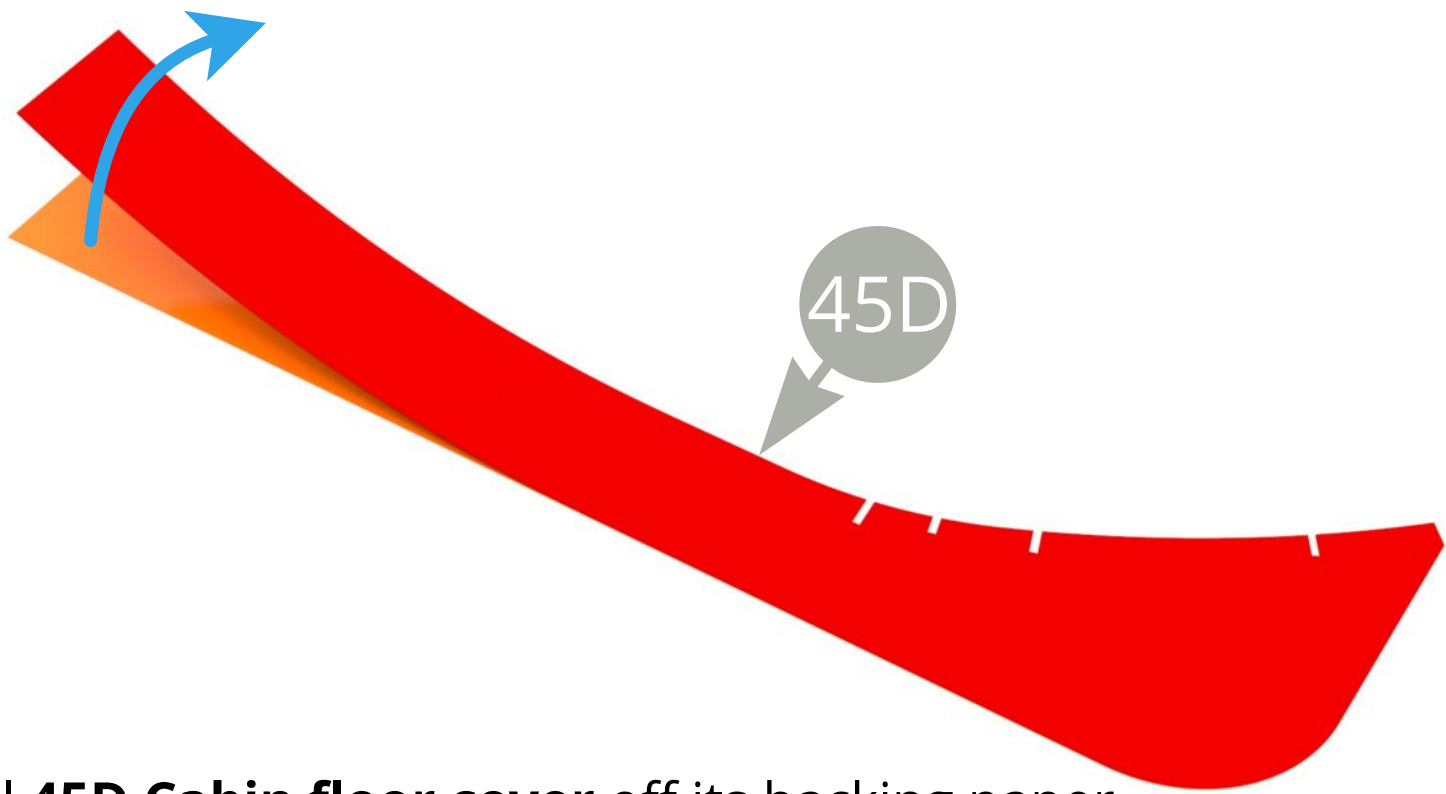
Align four holes of **45G Cabin floor cover** to four holes of **45A Cabin floor** transversal beam ( **green arrows** ) , and then smooth on top surface and side surfaces as **blue arrows** point . Leave **black arrow** pointed edge of **45G Cabin floor cover** loose .



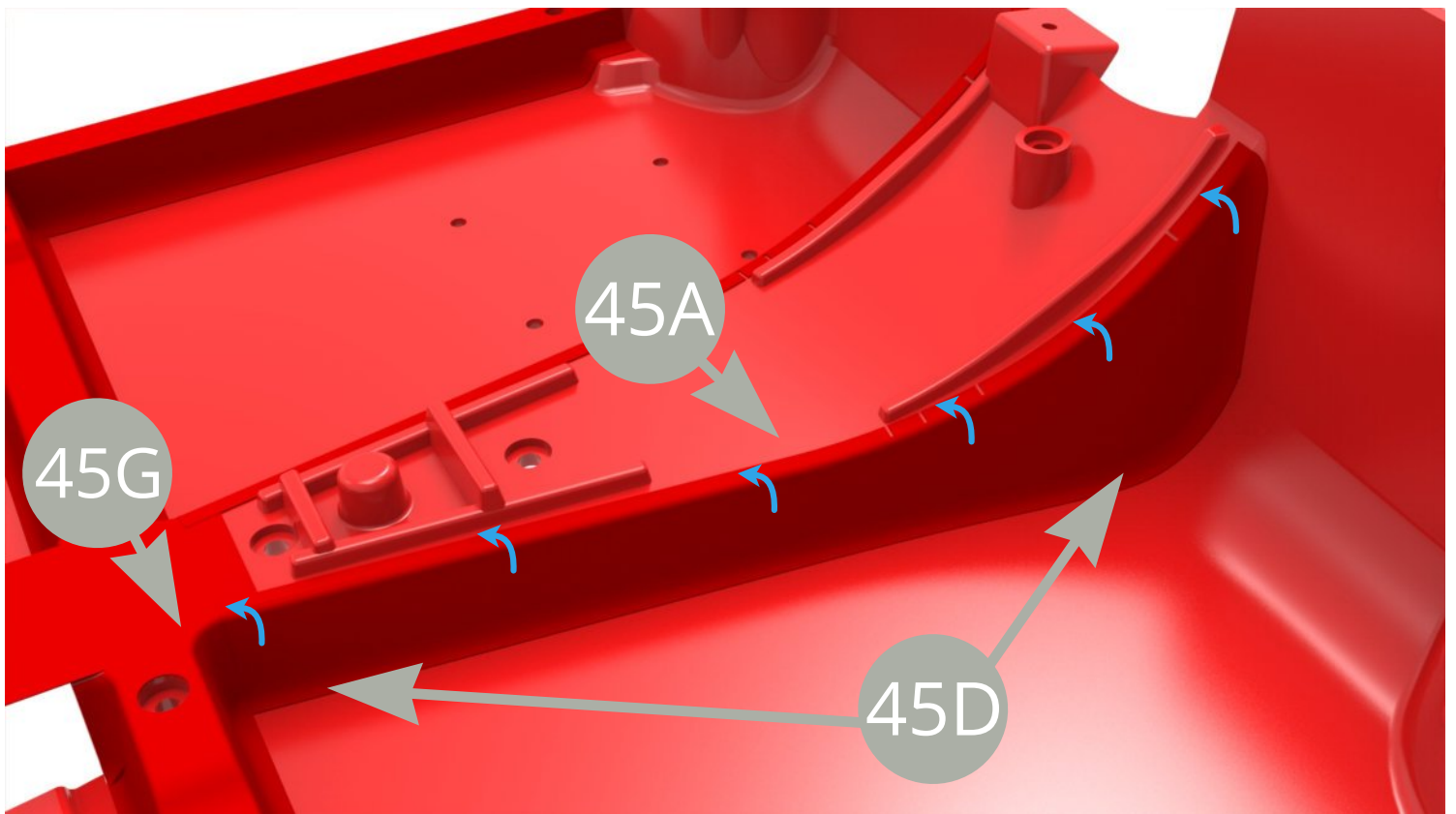
Peel **45C Cabin floor cover** off its backing paper .



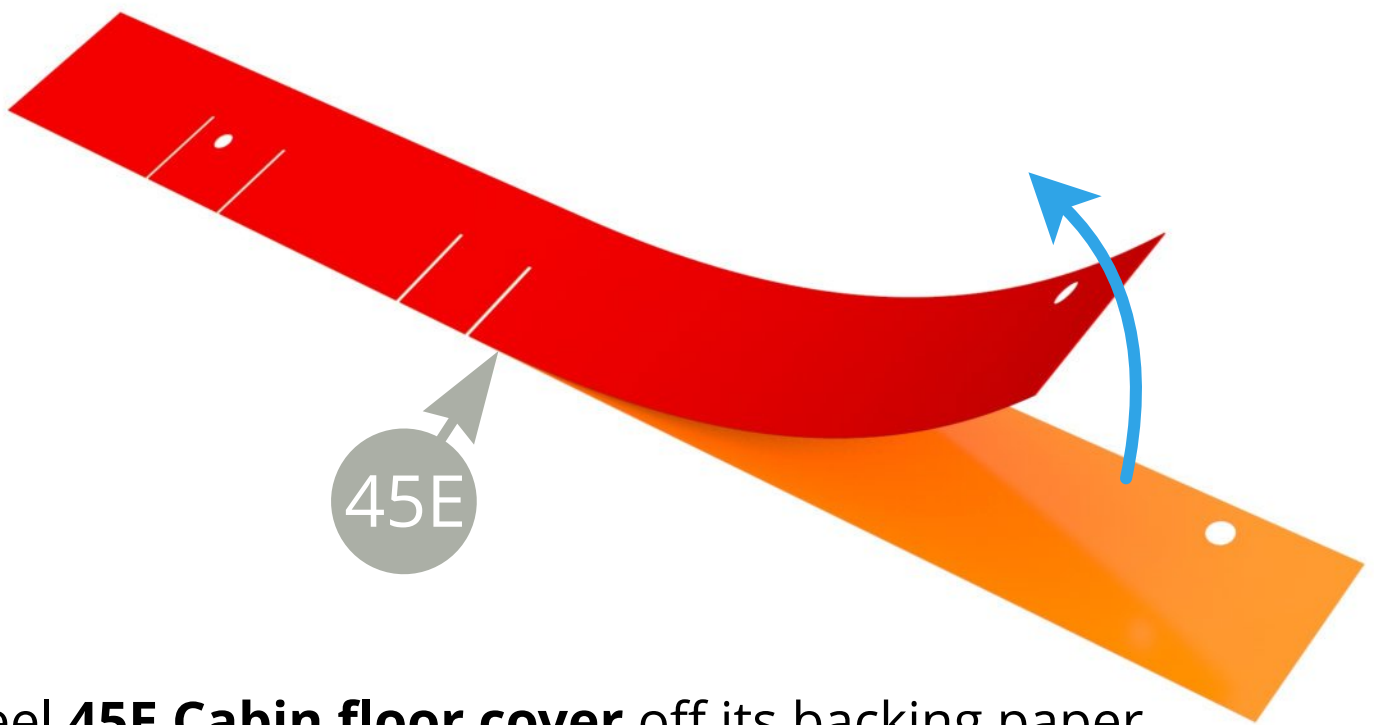
Apply **45C Cabin floor cover** to the left side of console base of **45A Cabin floor** , bending and smoothing on upper 1-2 mm wide area over the edge as **blue arrows** show , with some overlapping on **45G Cabin floor cover** .



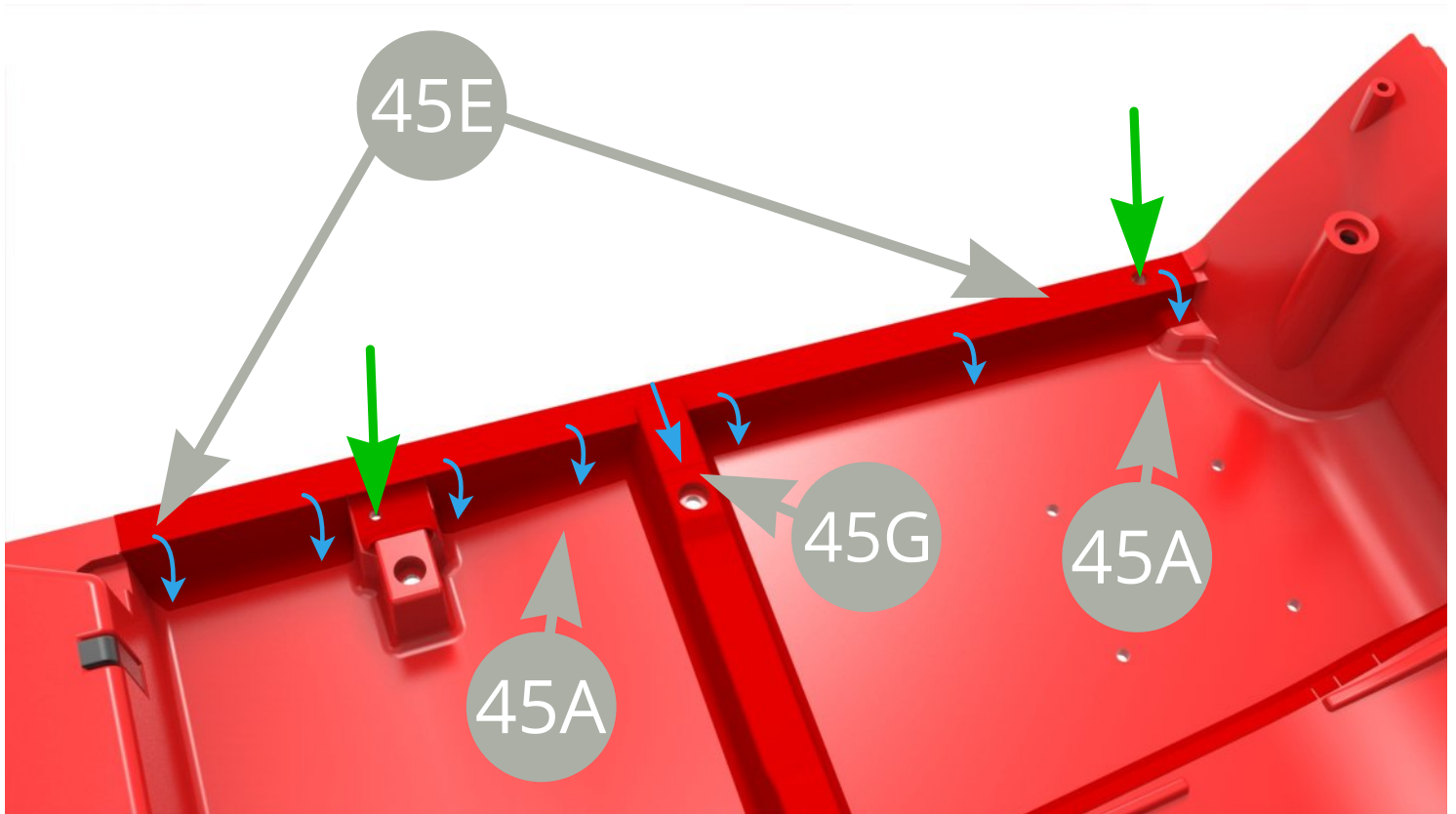
Peel **45D Cabin floor cover** off its backing paper .



Apply **45D Cabin floor cover** to the right side of console base of **45A Cabin floor** , bending and smoothing on upper 1-2 mm wide area over the edge as **blue arrows** show , with some overlapping on **45G Cabin floor cover** .

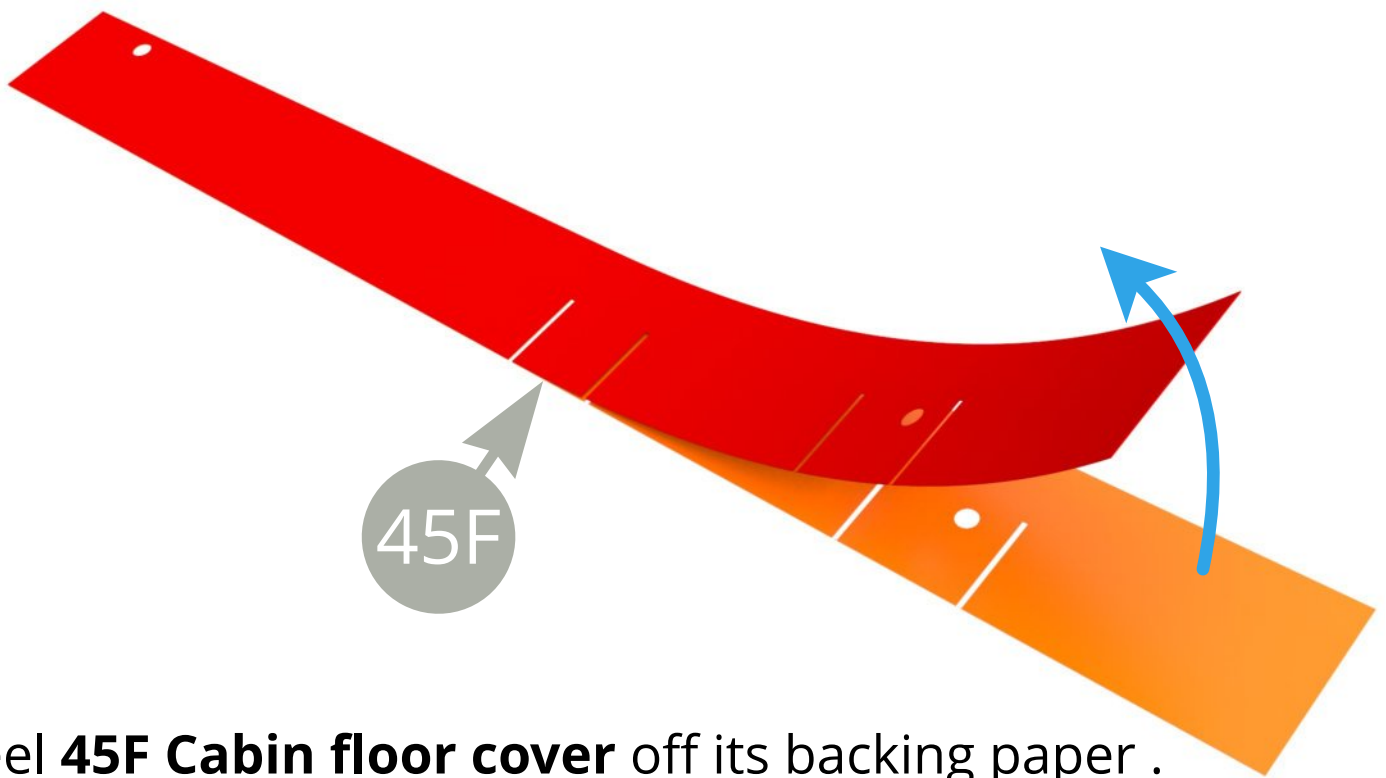


Peel **45E Cabin floor cover** off its backing paper .

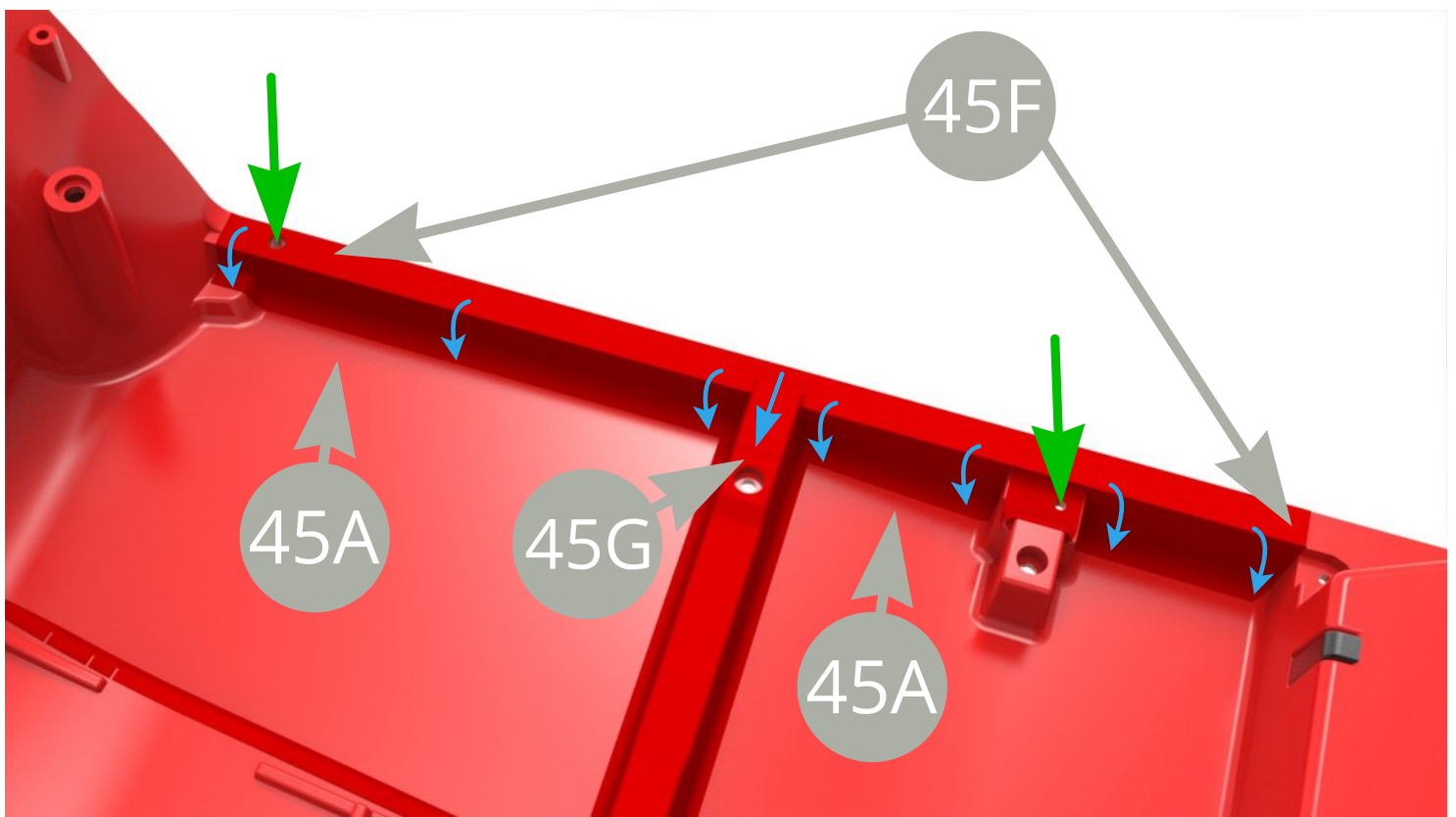


Align two holes of **45E Cabin floor cover** against two holes of **45A Cabin floor** left side beam ( **green arrows** ) , and then smooth on top surface and side surfaces as **blue arrows** point , with its middle strip overlapping on **45G Cabin floor cover** .

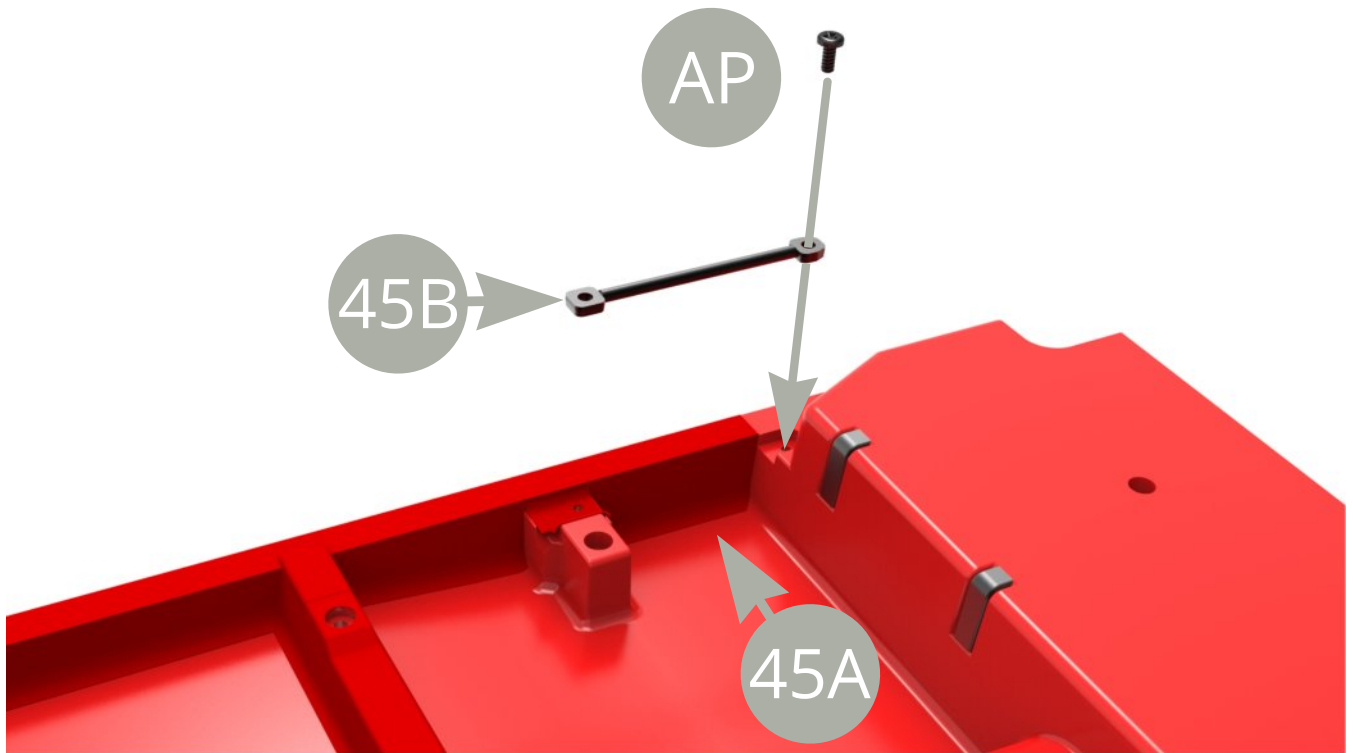




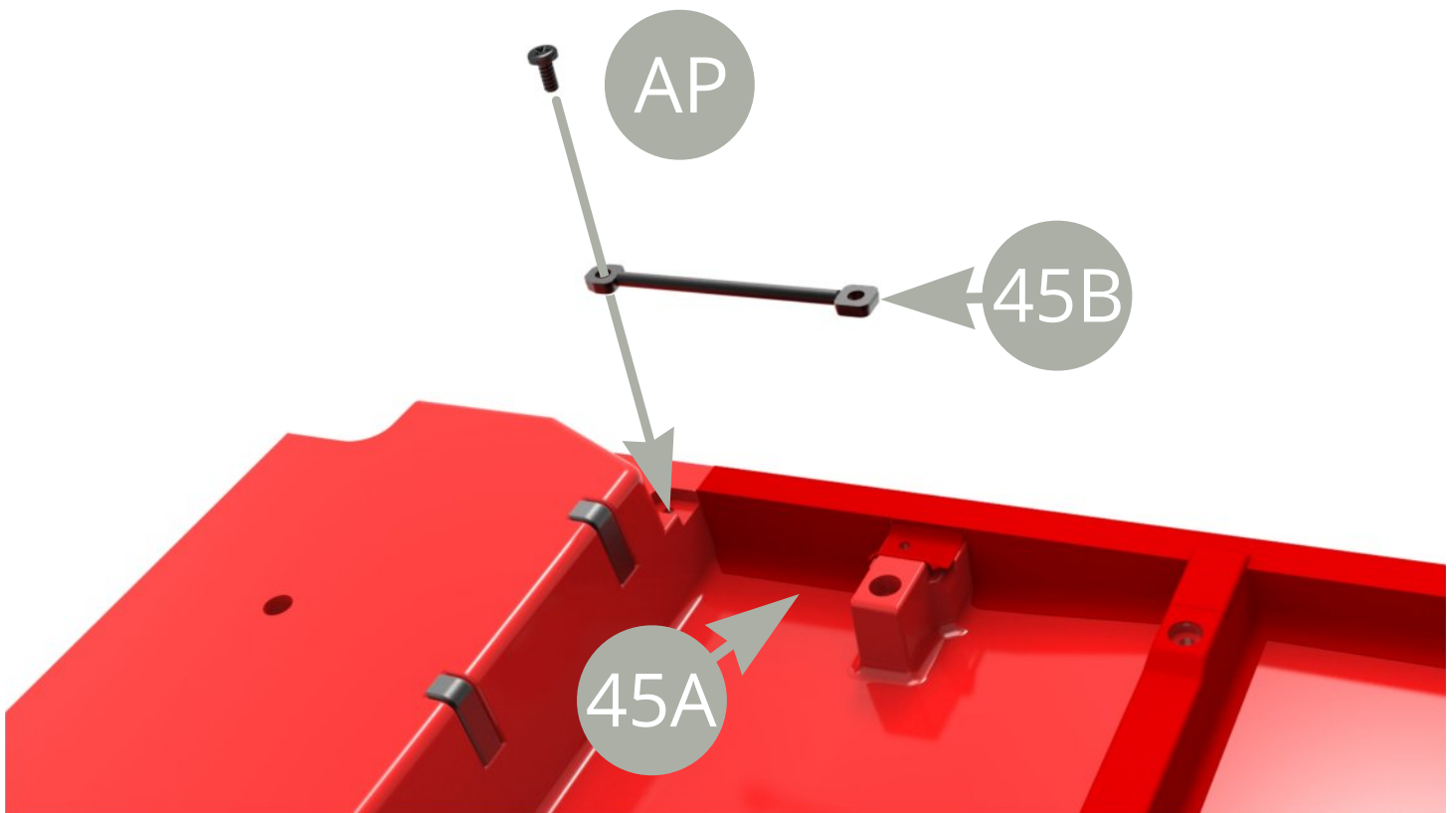
Peel **45F Cabin floor cover** off its backing paper .



Align two holes of **45F Cabin floor cover** against two holes of **45A Cabin floor** right side beam ( **green arrows** ) , and then smooth on top surface and side surfaces as **blue arrows** point , with its middle strip overlapping on **45G Cabin floor cover** .

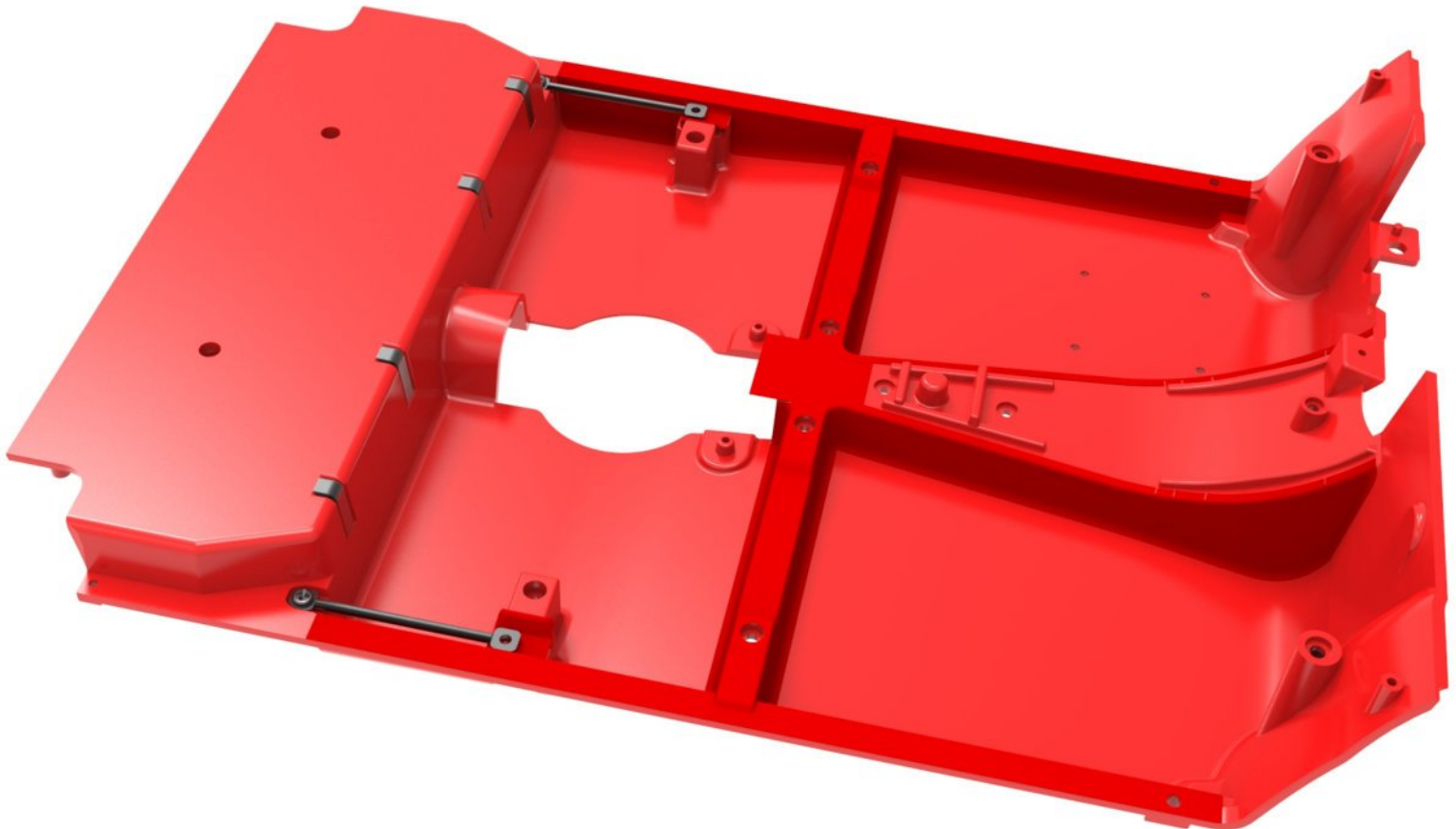
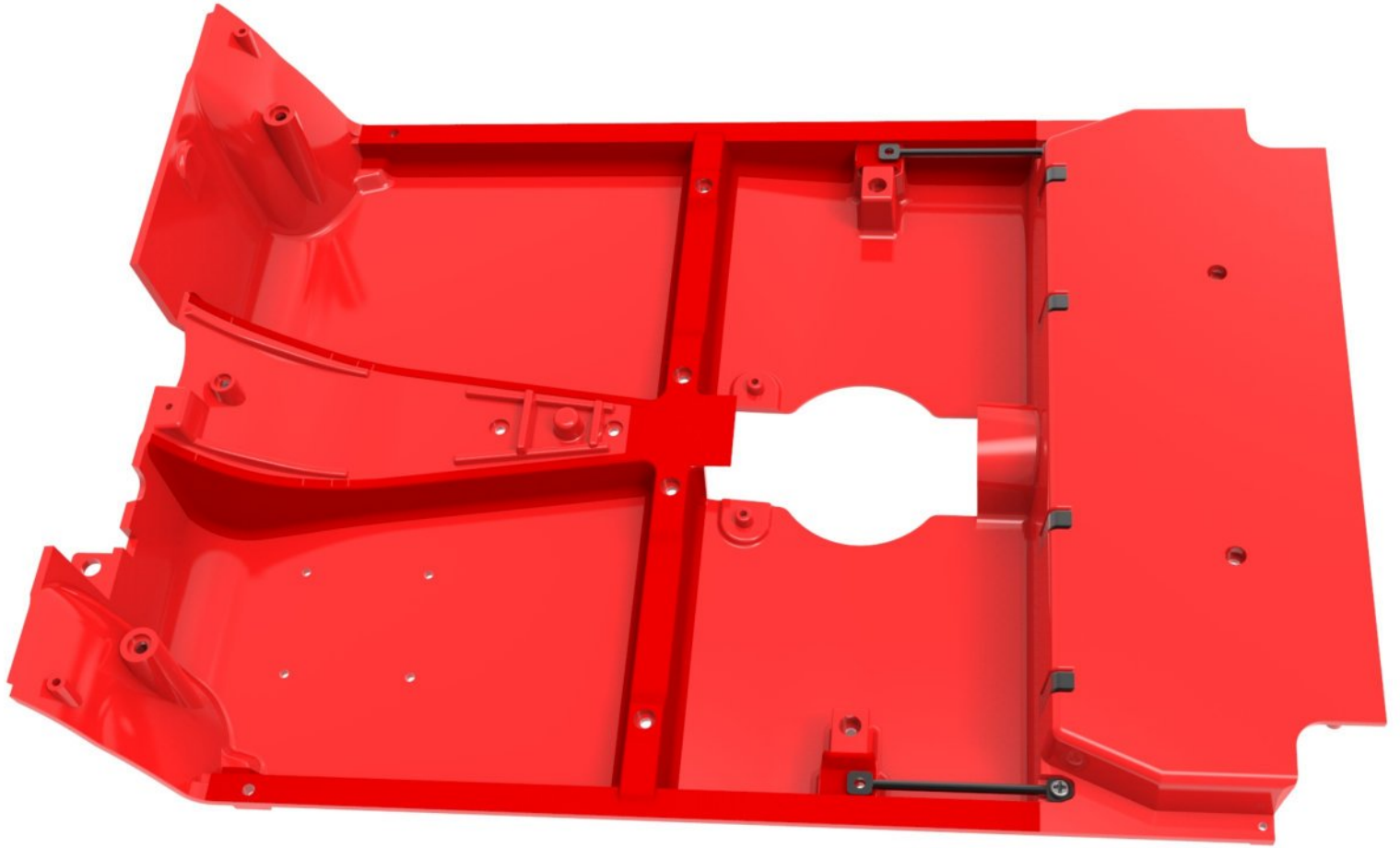


Fit right side **45B Safety belt guide** to **45A Cabin floor** and fix with **AP screw** .



Fit left side **45B Safety belt guide** to **45A Cabin floor** and fix with **AP screw** .

Final views .





# Assembly drawing .

