

46A (L) Left safety belt lock

46B (R) Right safety belt lock

46C Parking brake lever housing

46D Parking brake lever

46E Parking brake mount

46F Support bar

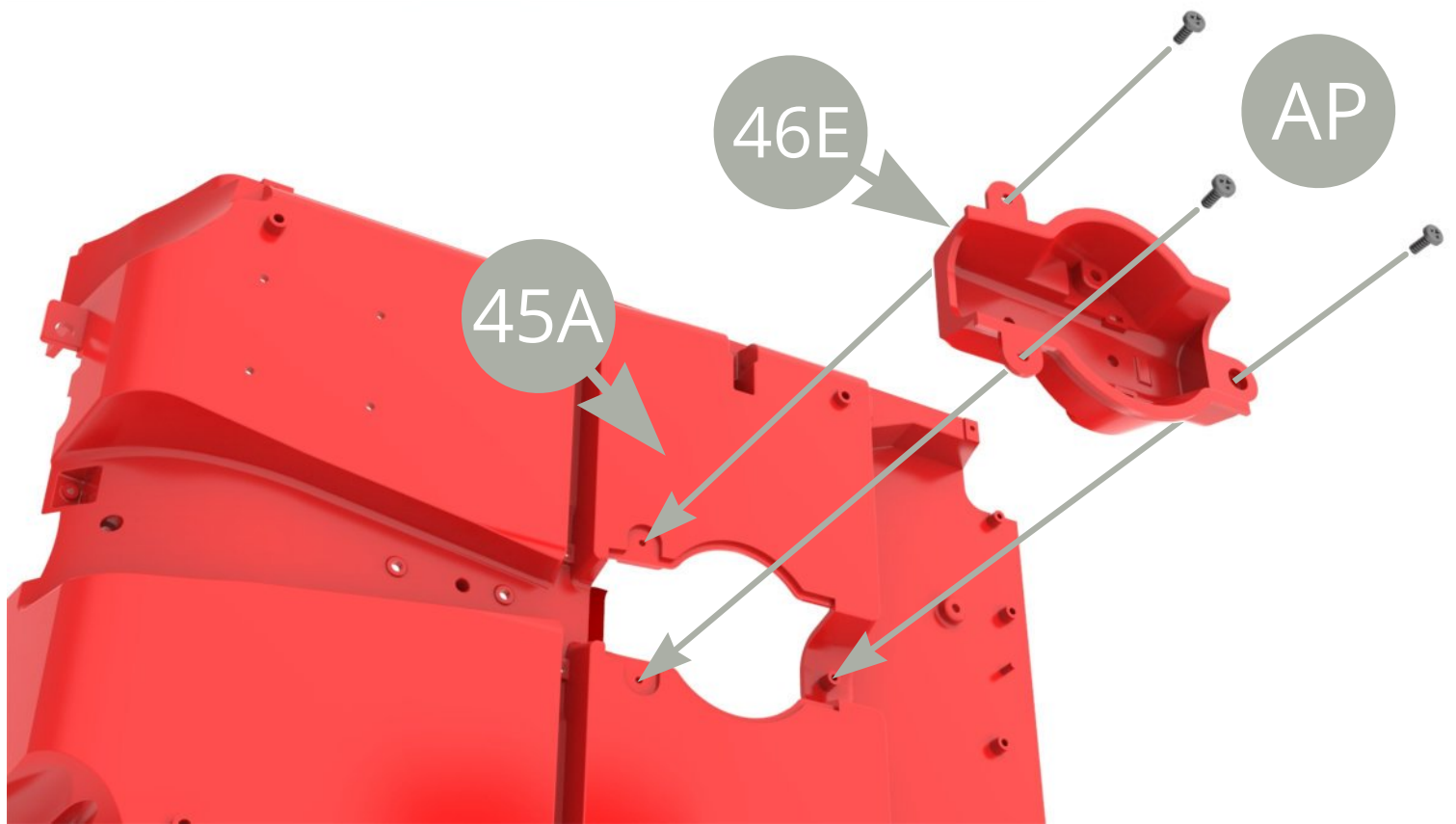
46G Cabin floor cover

46H Cabin floor cover

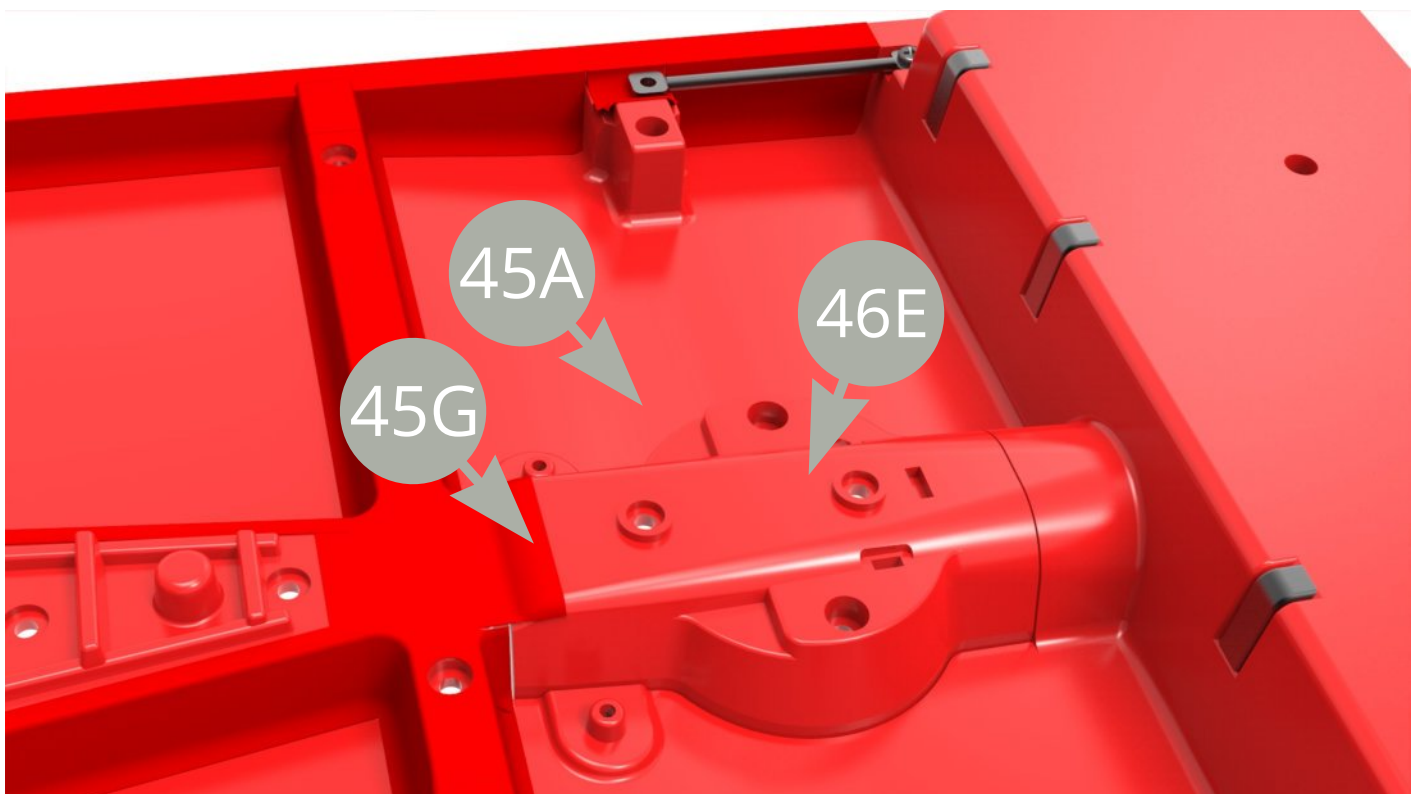
46I Cabin floor cover

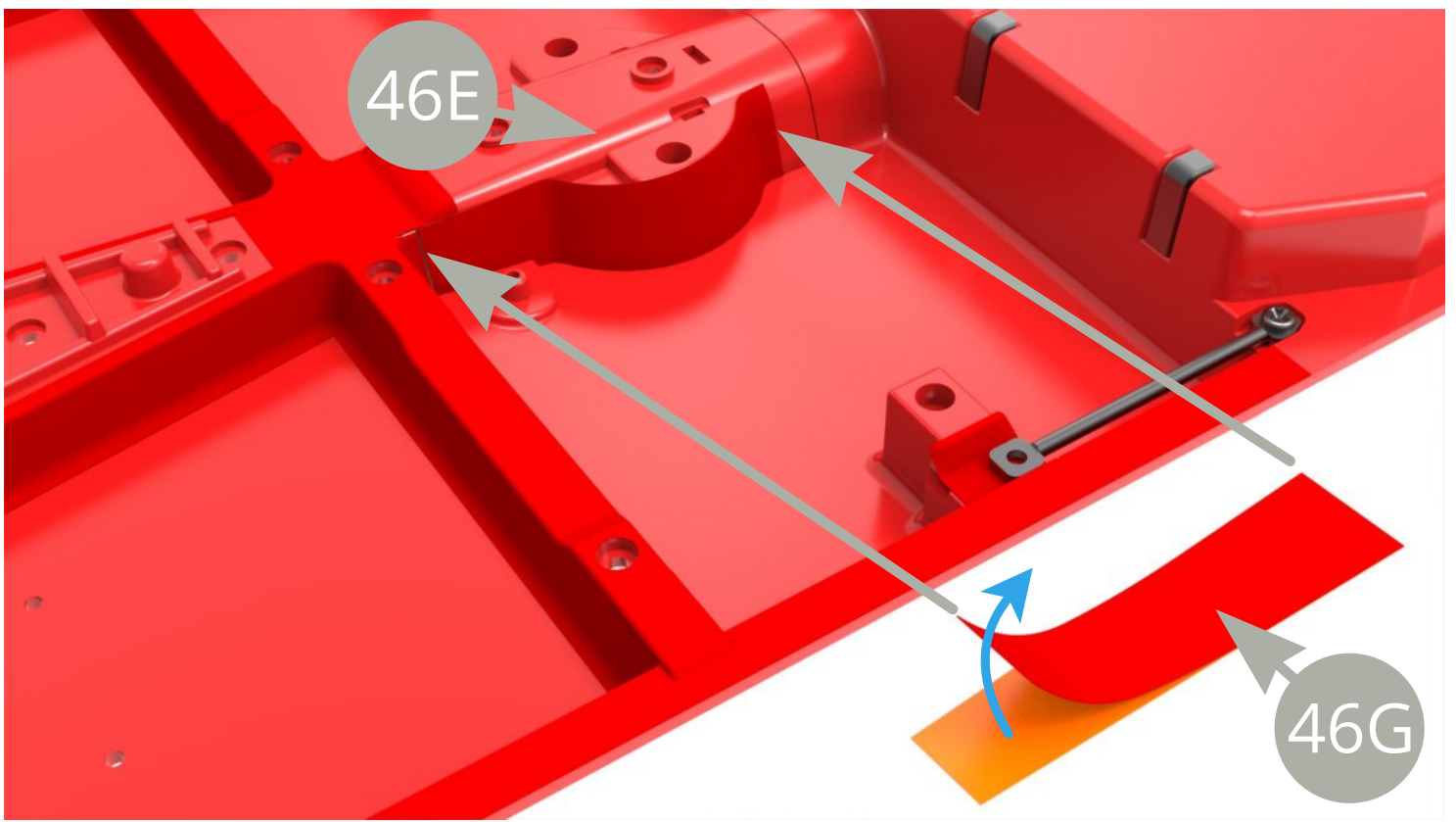
46J Cabin floor cover

AP M1,7 x4mm (x7)

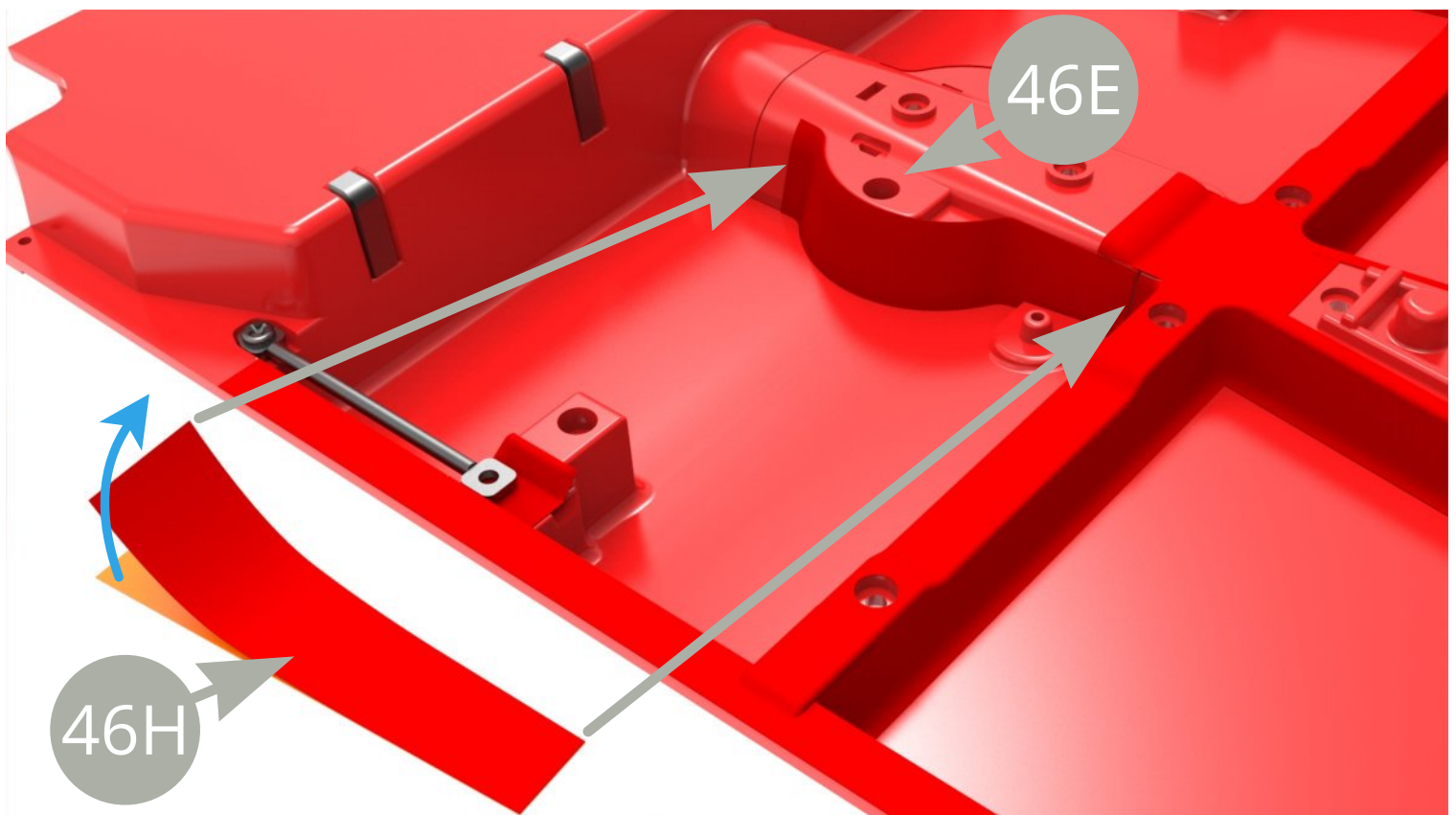


Fit **46E Parking brake mount** from below to **45A Cabin floor** and fix with three **AP screws** . Smooth **45G Cabin floor cover** free end on to **46E Parking brake mount** top front side (top and bottom illustrations) .

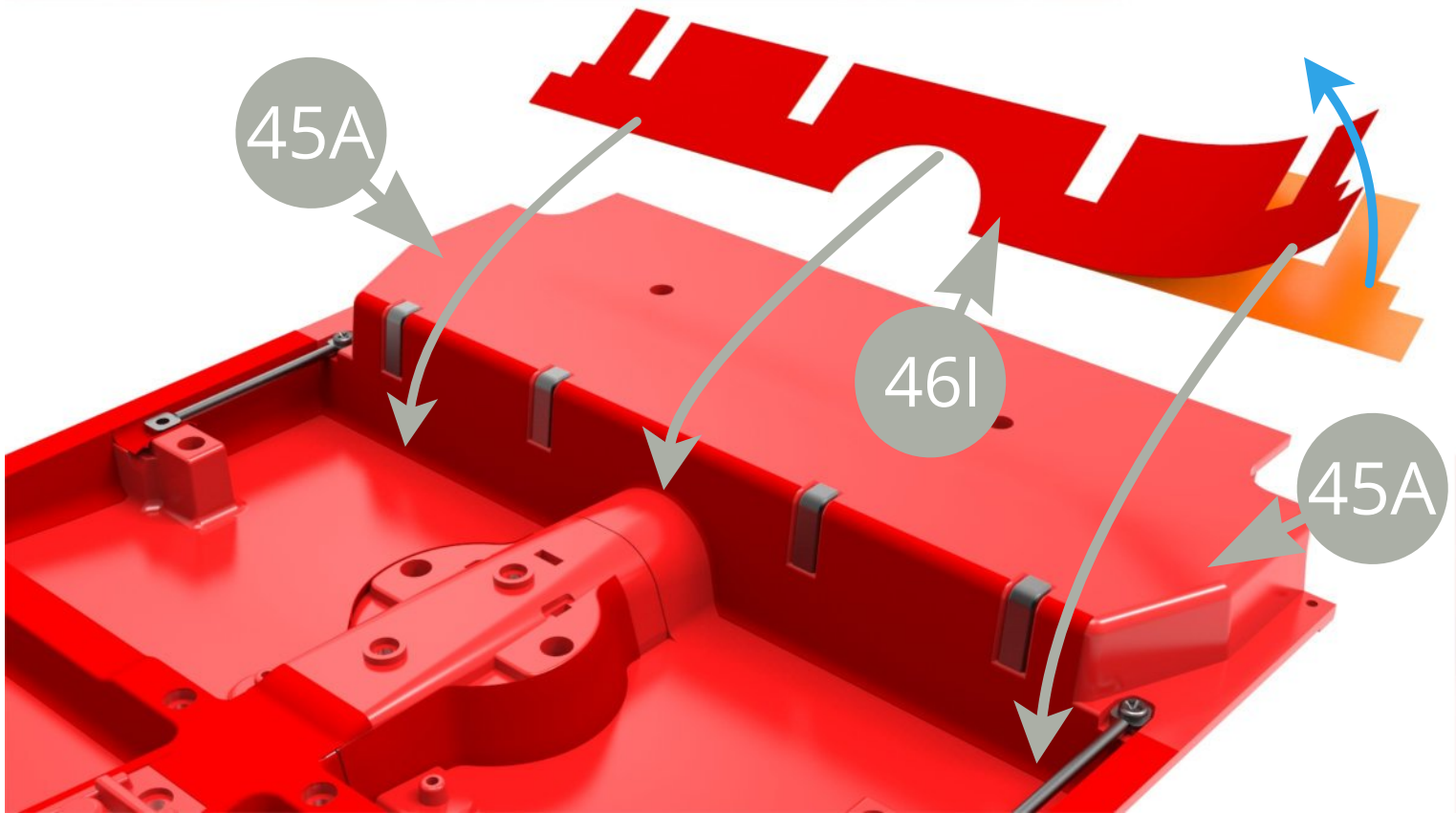




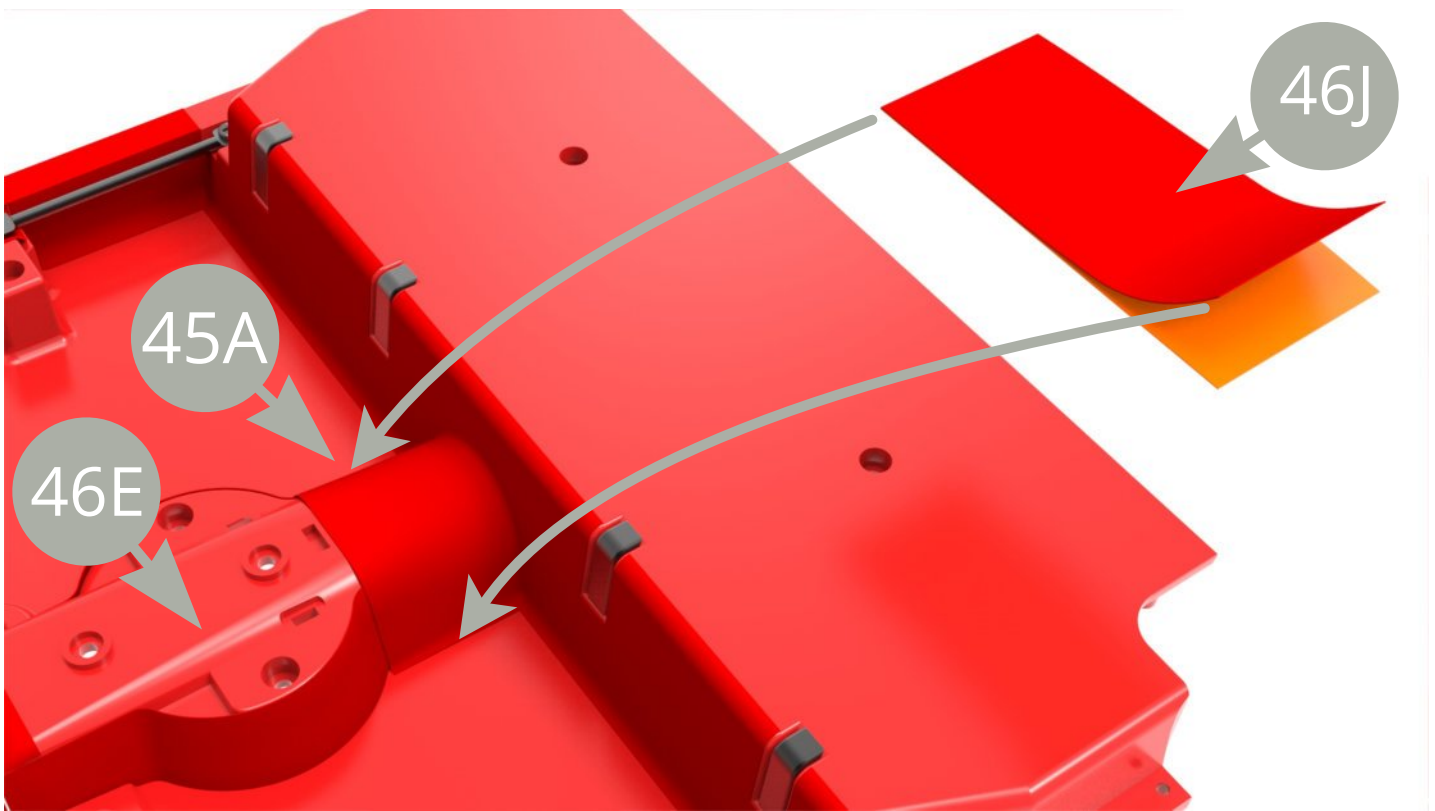
Peel **46G Cabin floor cover** off its backing paper and smooth on **46E Parking brake mount left side** .



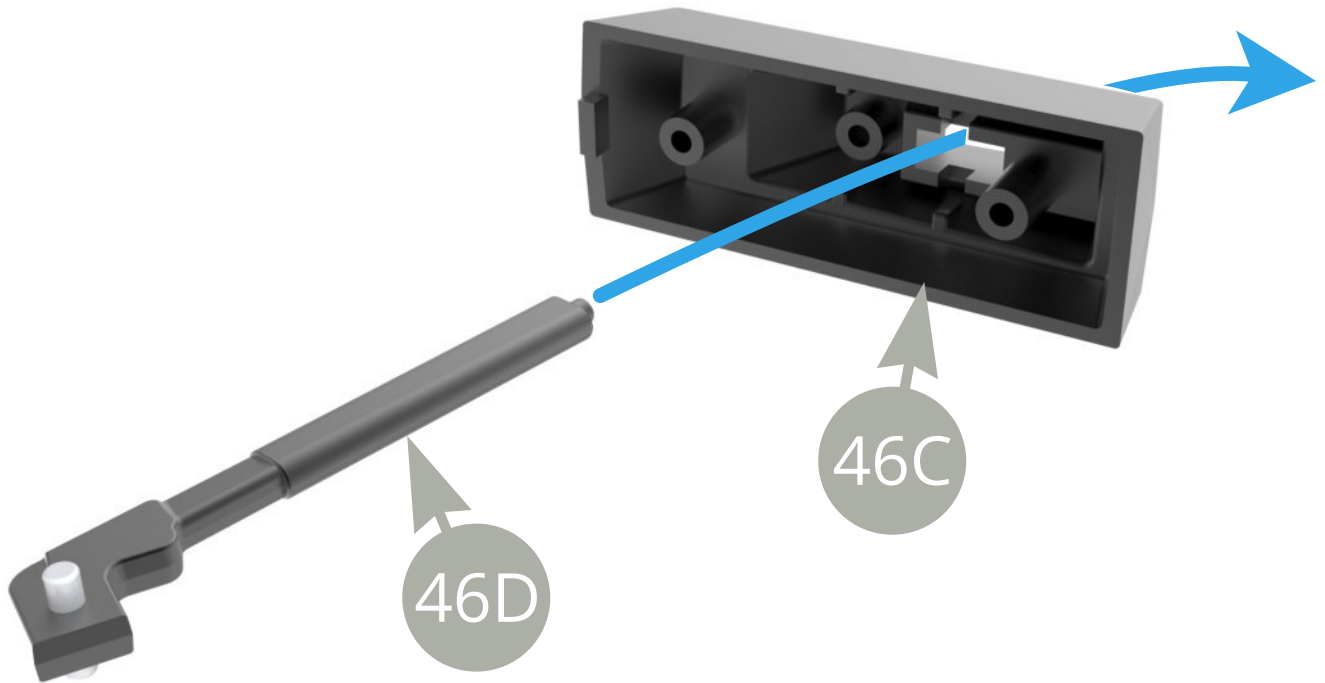
Peel **46H Cabin floor cover** off its backing paper and smooth on **46E Parking brake mount right side** .



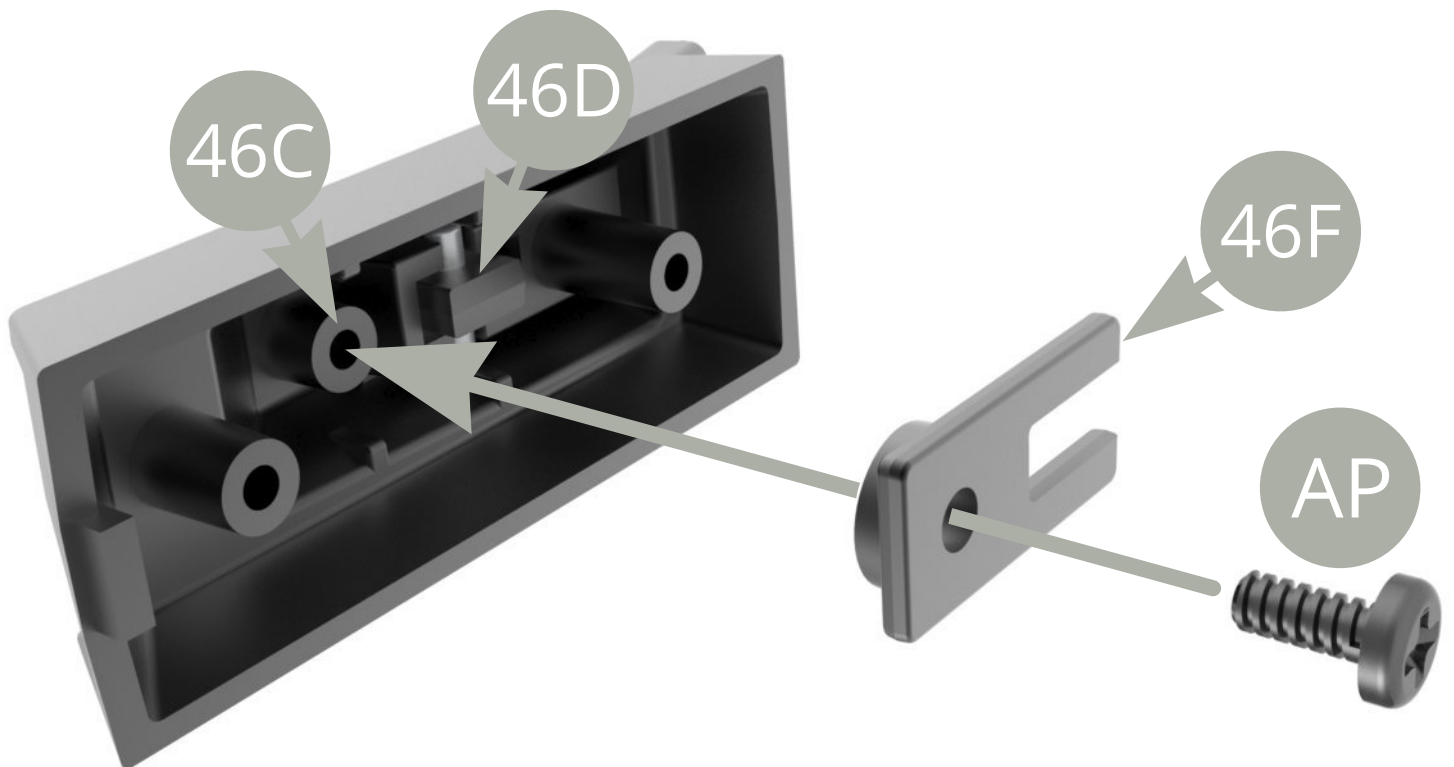
Peel **46I Cabin floor cover** off its backing paper and smooth on **45A Cabin floor** rear rise wall .



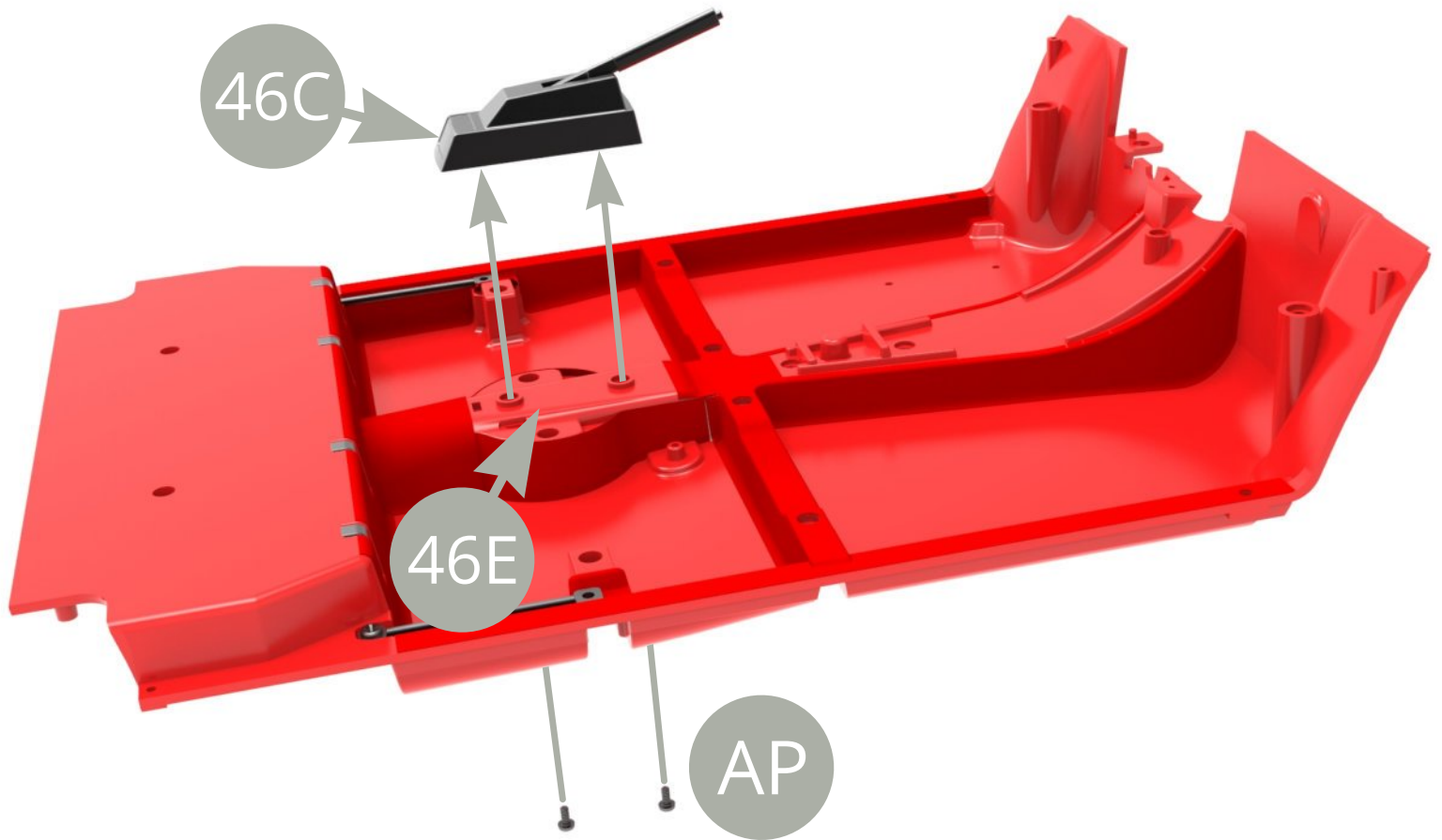
Peel **46J Cabin floor cover** off its backing paper and smooth on **45A Cabin floor** and **46E Parking brake mount hump** (straight edge facing fore) .



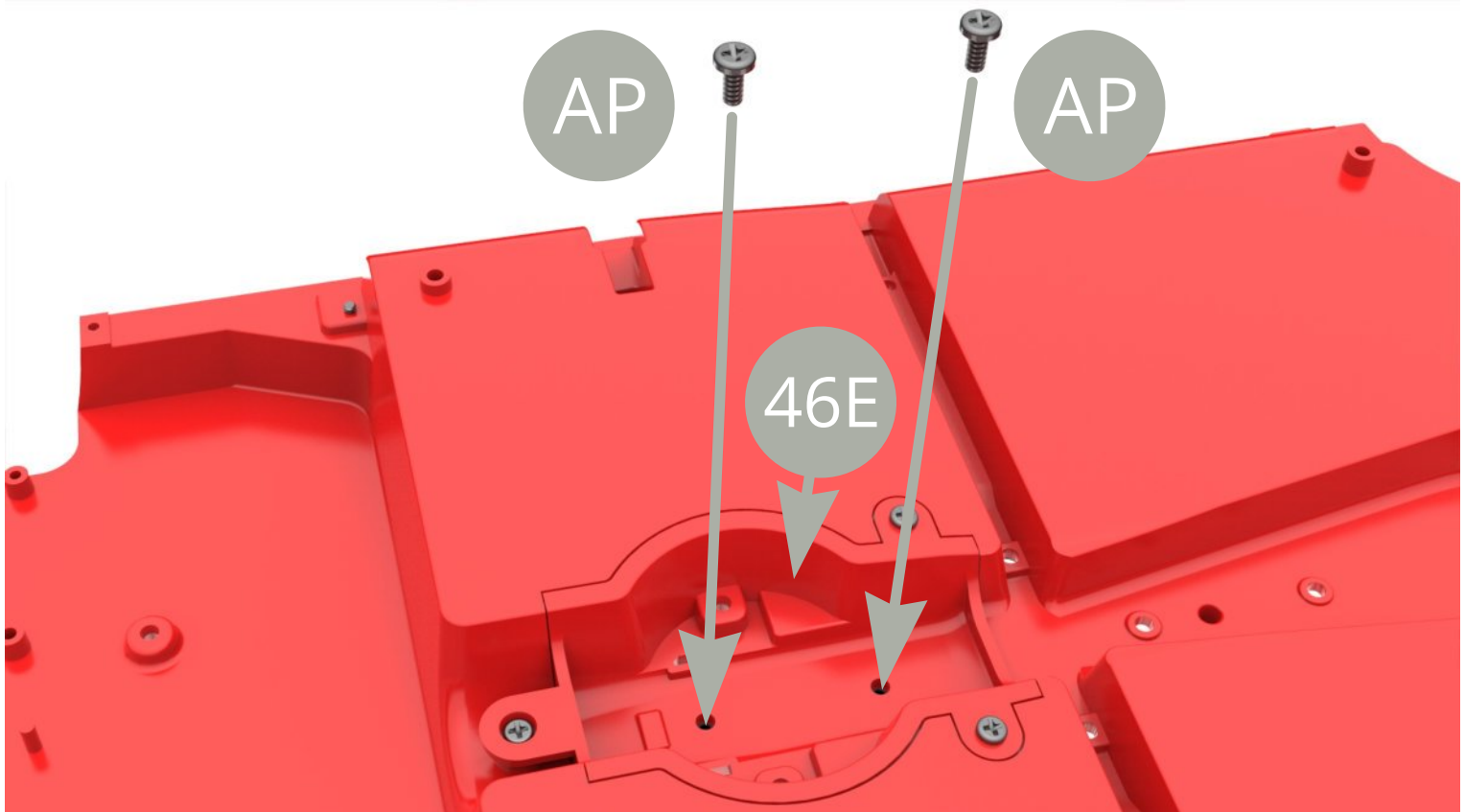
Fit **46D Parking brake lever** from below through slot in **46C Parking brake lever housing** , engaging into the nest .

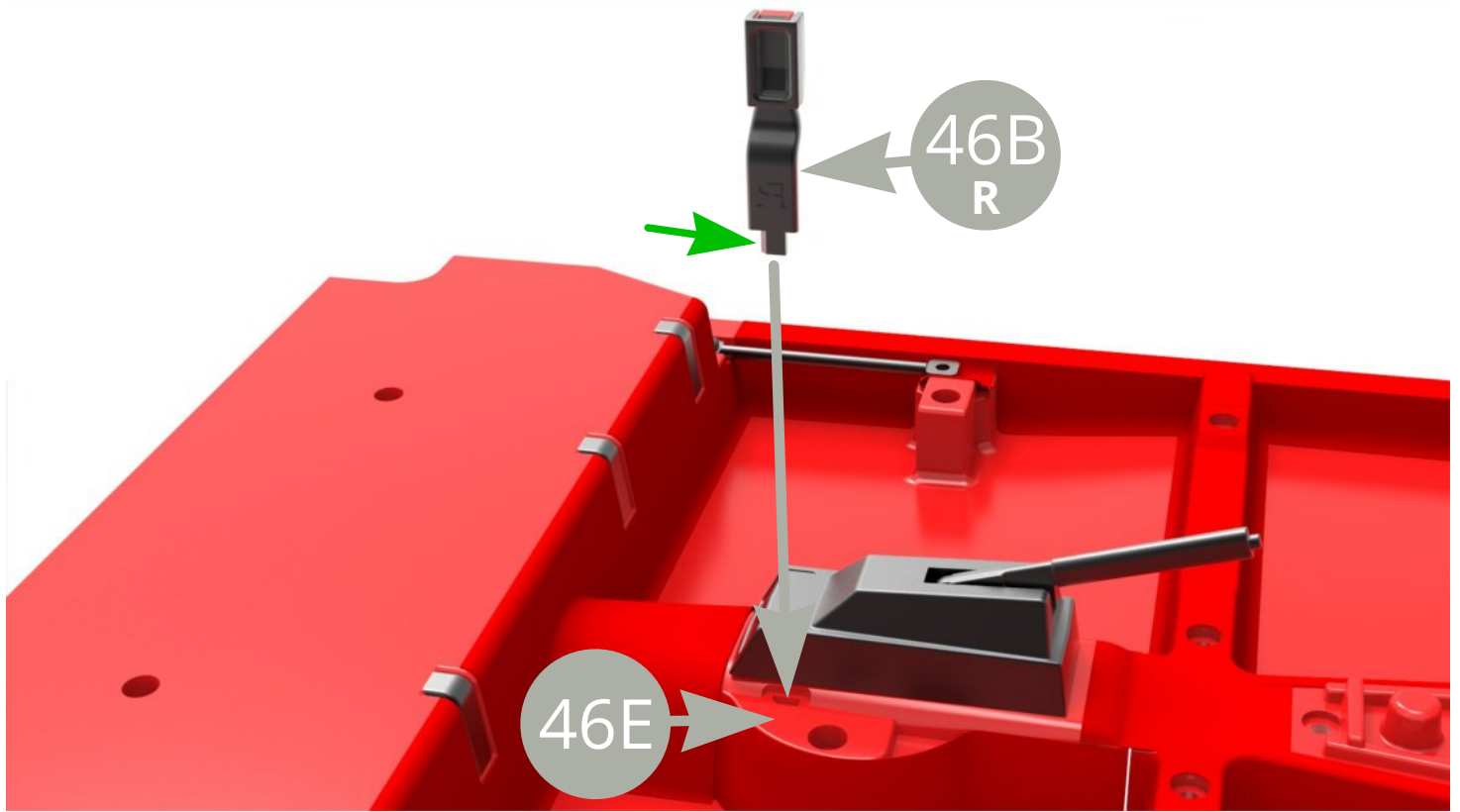


Apply **46F Support bar** on top of **46D Parking brake lever** and fix to **46C Parking brake lever housing** with **AP screw** .

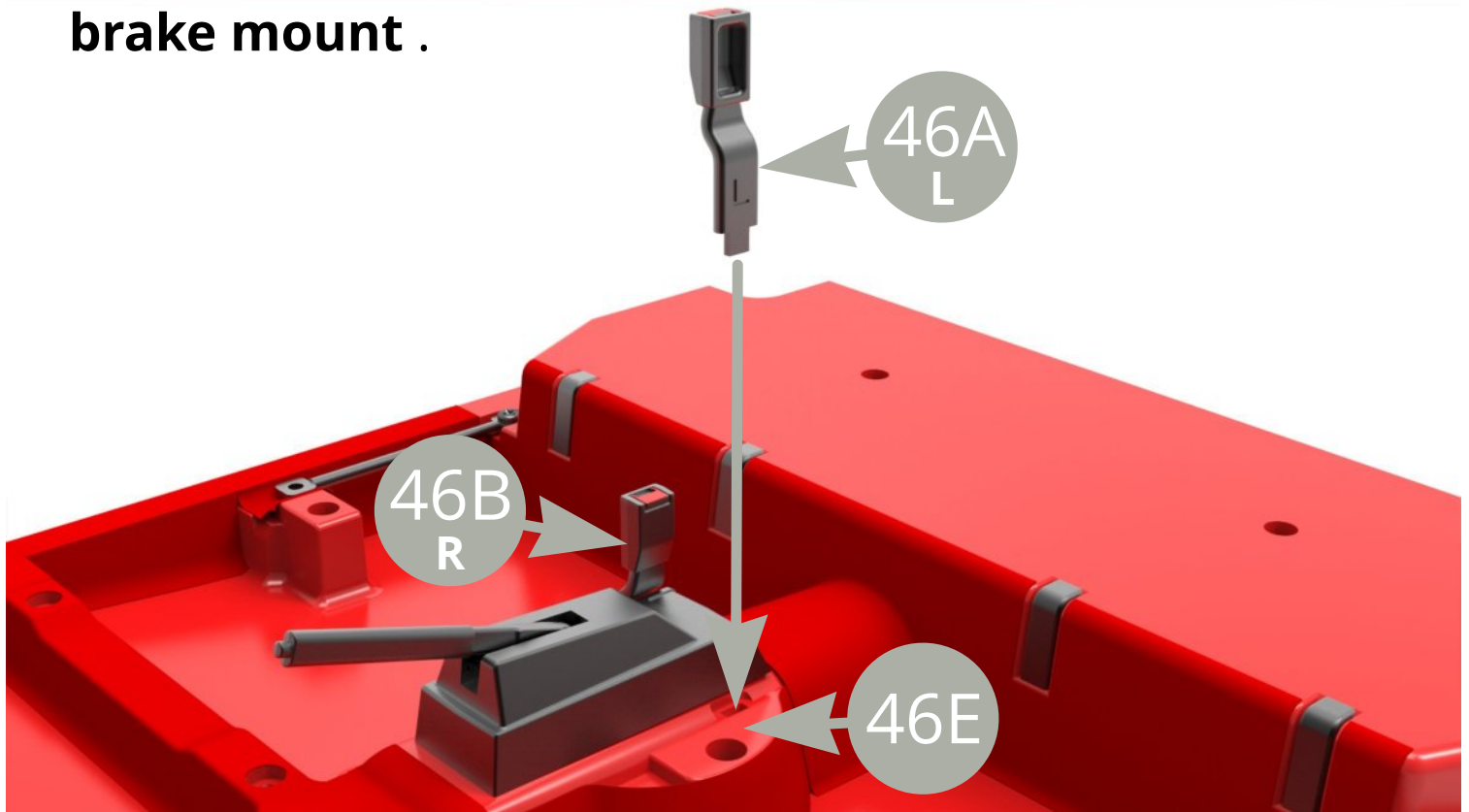


Fit **46C Parking brake lever housing** to **46E Parking brake mount** and fix from below with two **AP screws** .
(top and bottom illustrations) .

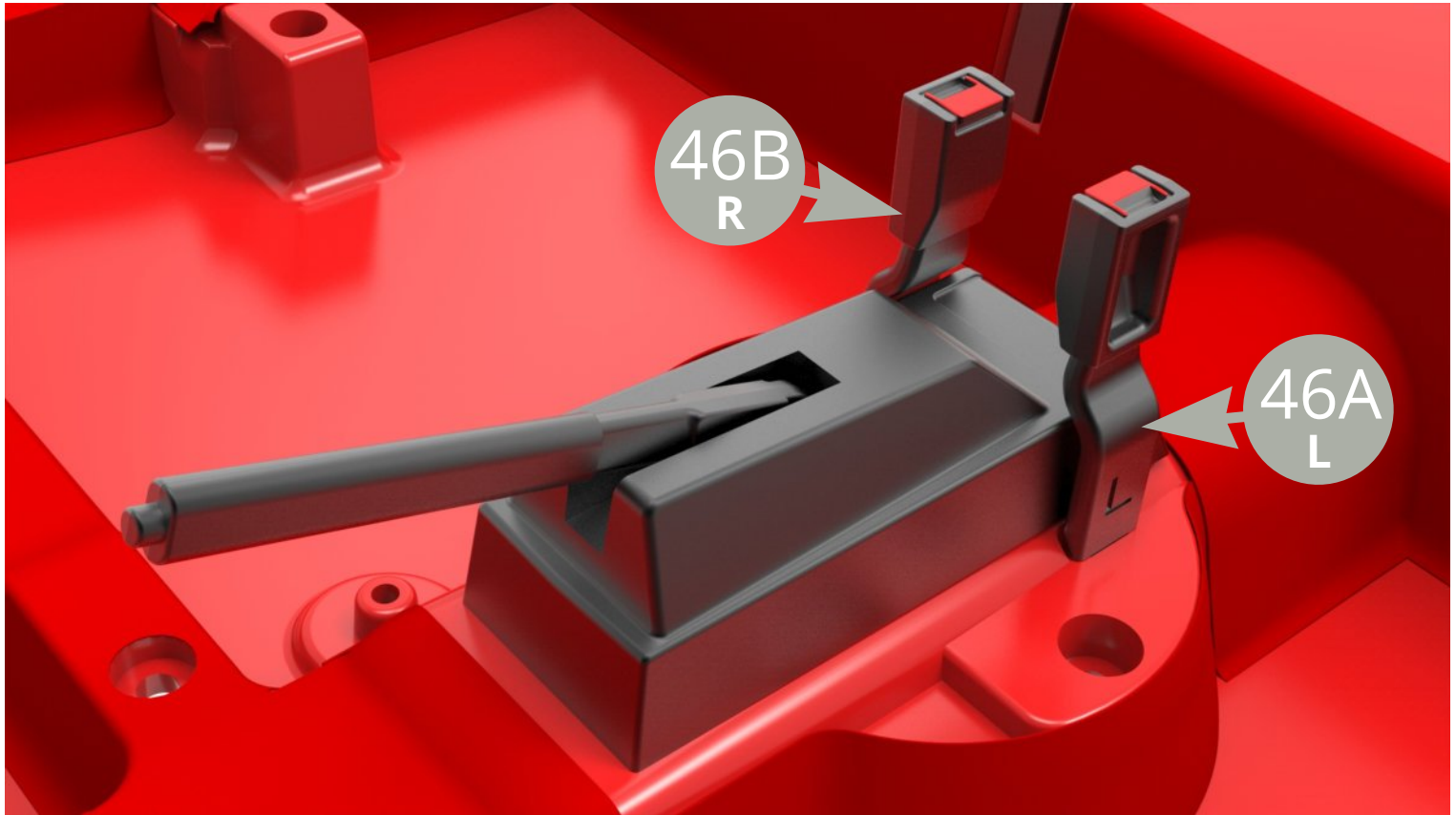




Fit **46B (R) Right safety belt lock** (note sharp edge **green arrow** orientation) to the right side of **46E Parking brake mount** .

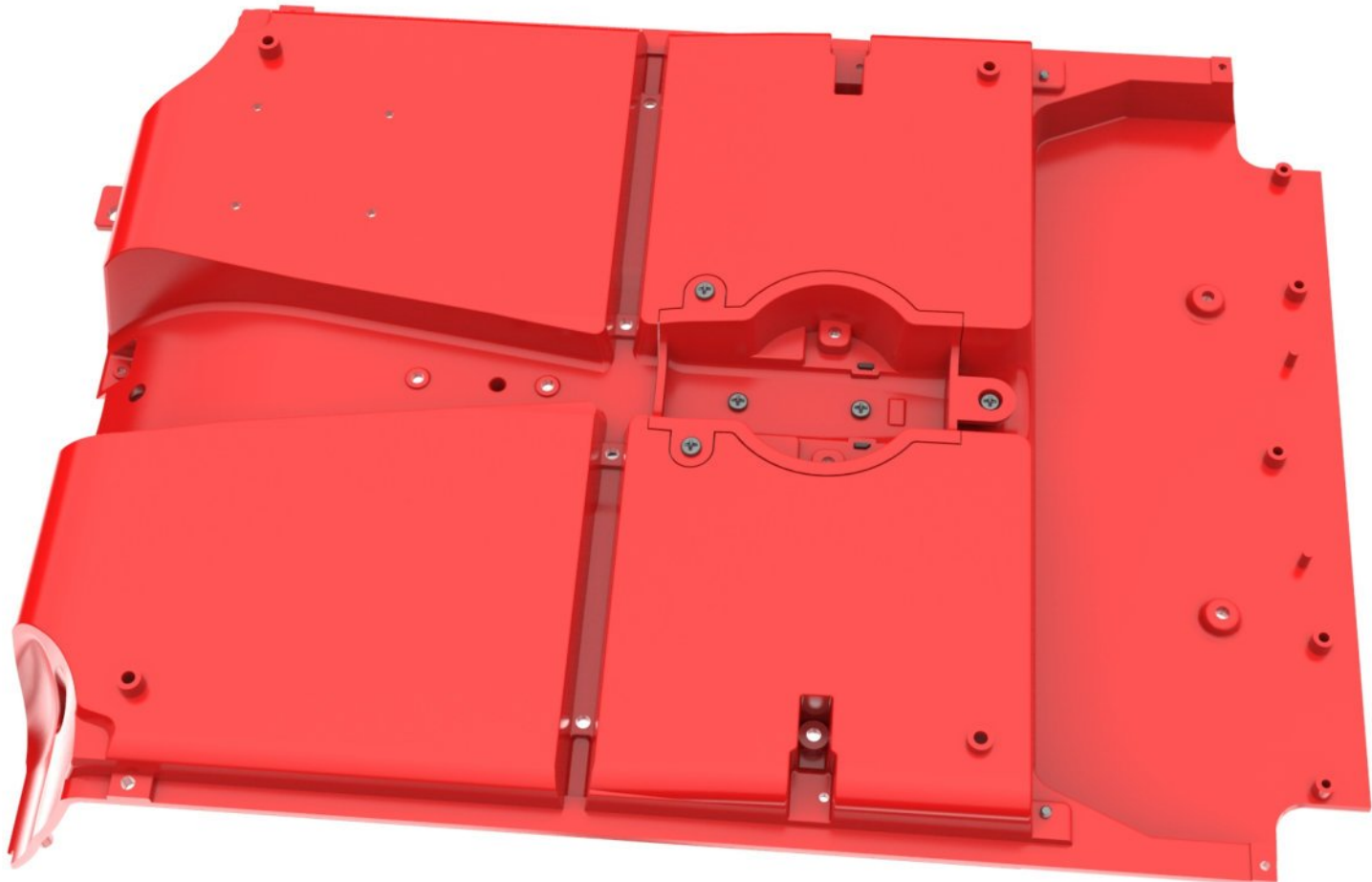
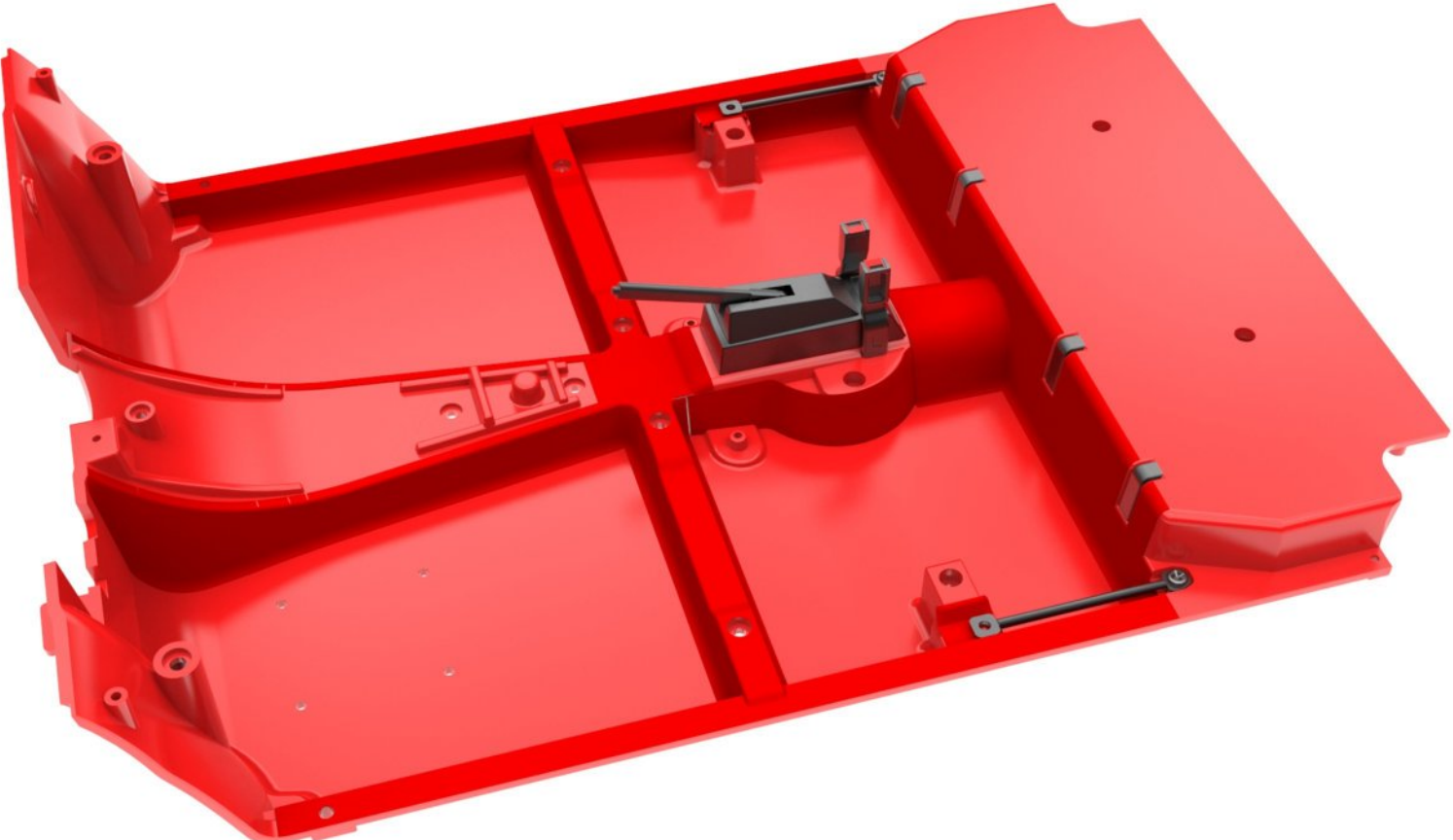


Fit **46A (L) Left safety belt lock** to the left side of **46E Parking brake mount** .



Parking brake and Safety belt locks installed .

Final views .



Assembly drawings .

