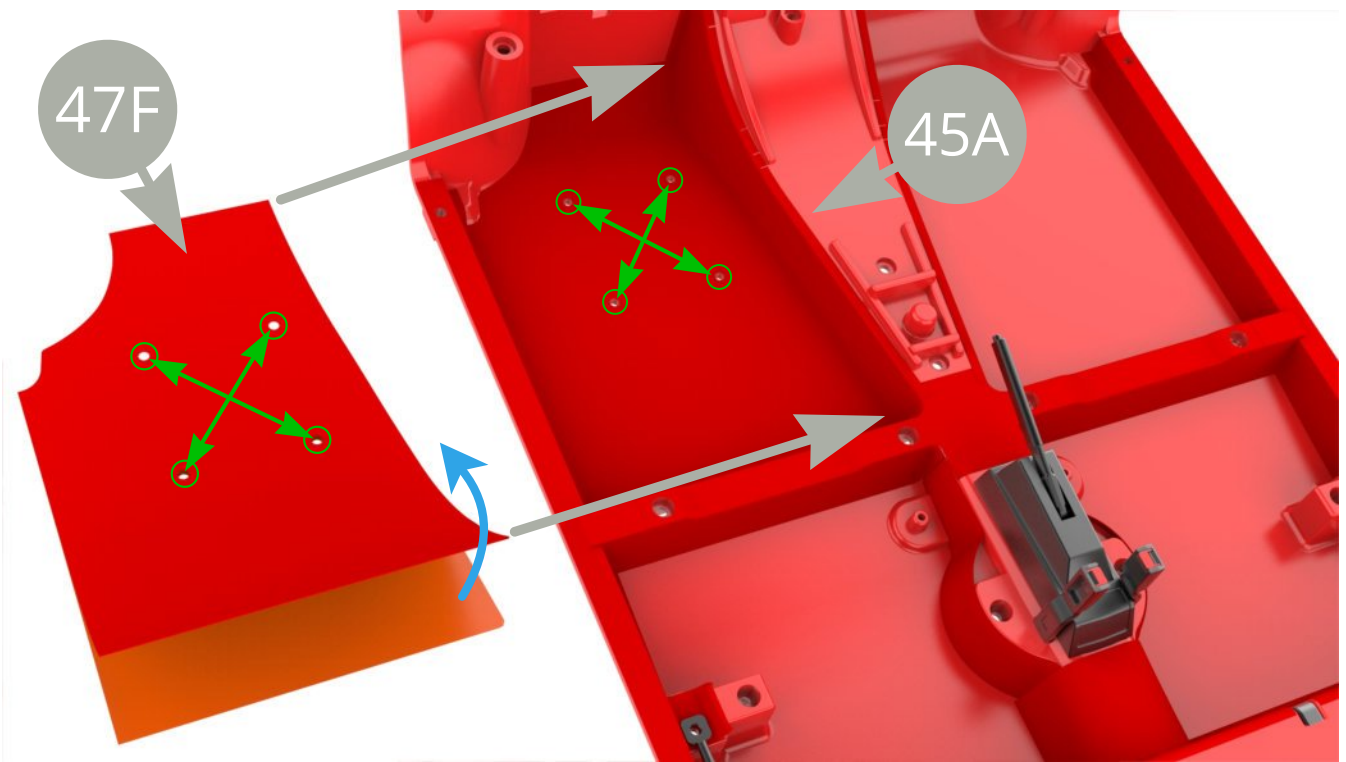


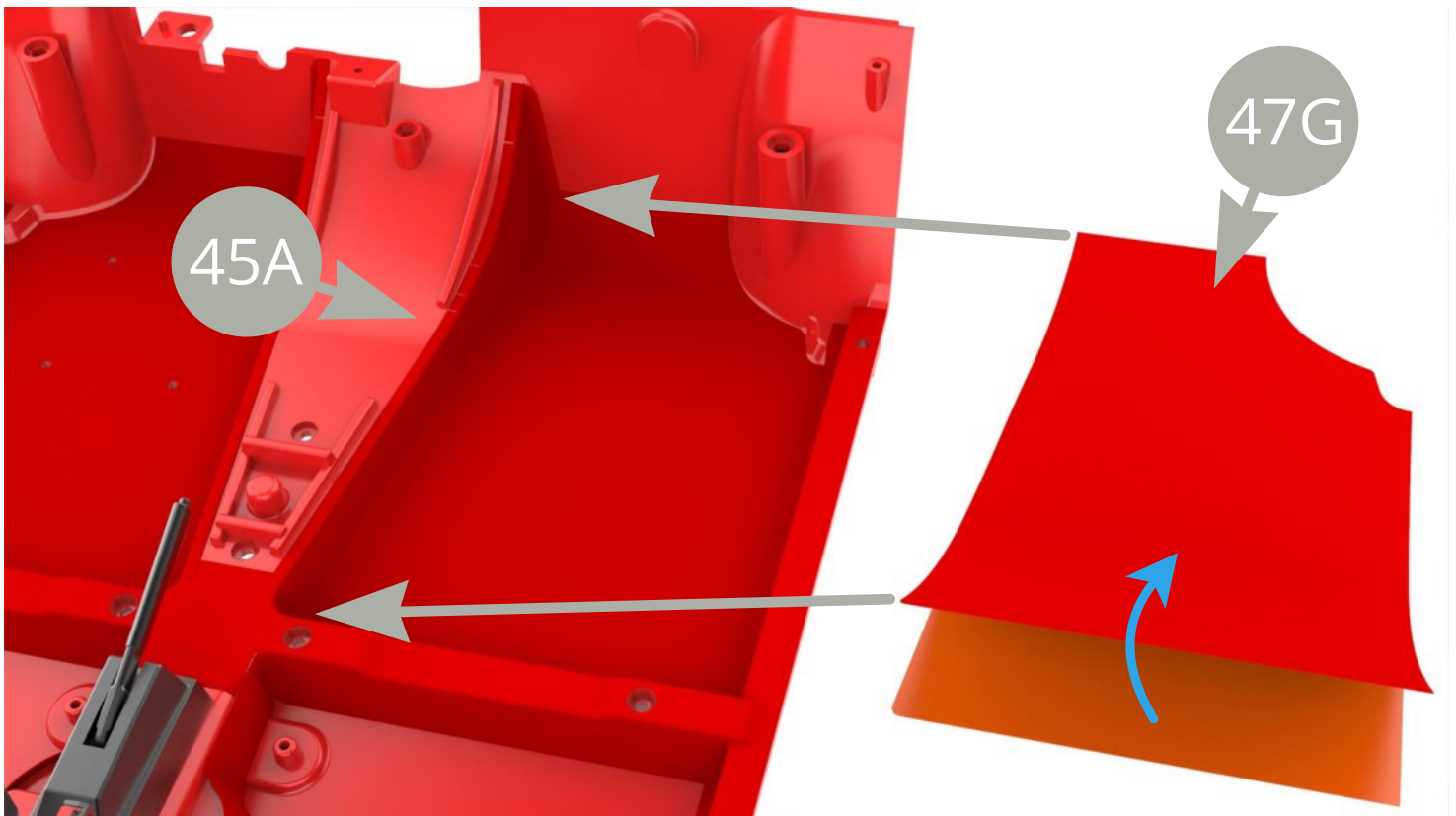


- 47A Front Left side panel
- 47B Front Right side panel
- 47C Rear Left wheel arc
- 47D Rear Right wheel arc
- 47E Driver's feet mat
- 47F Cabin floor cover
- 47G Cabin floor cover
- 47H Cabin floor cover
- 47I Cabin floor cover

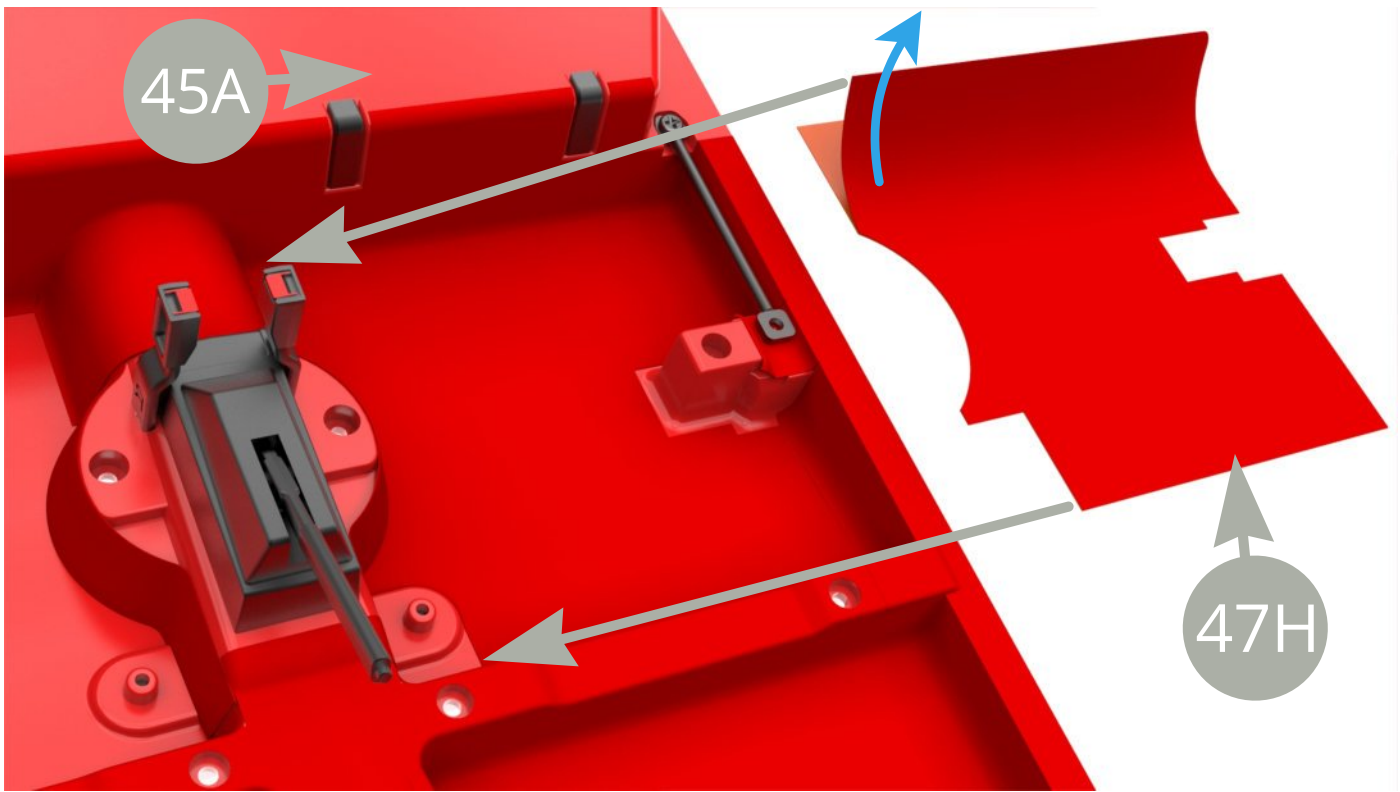
AP M1,7 x4mm (x7)



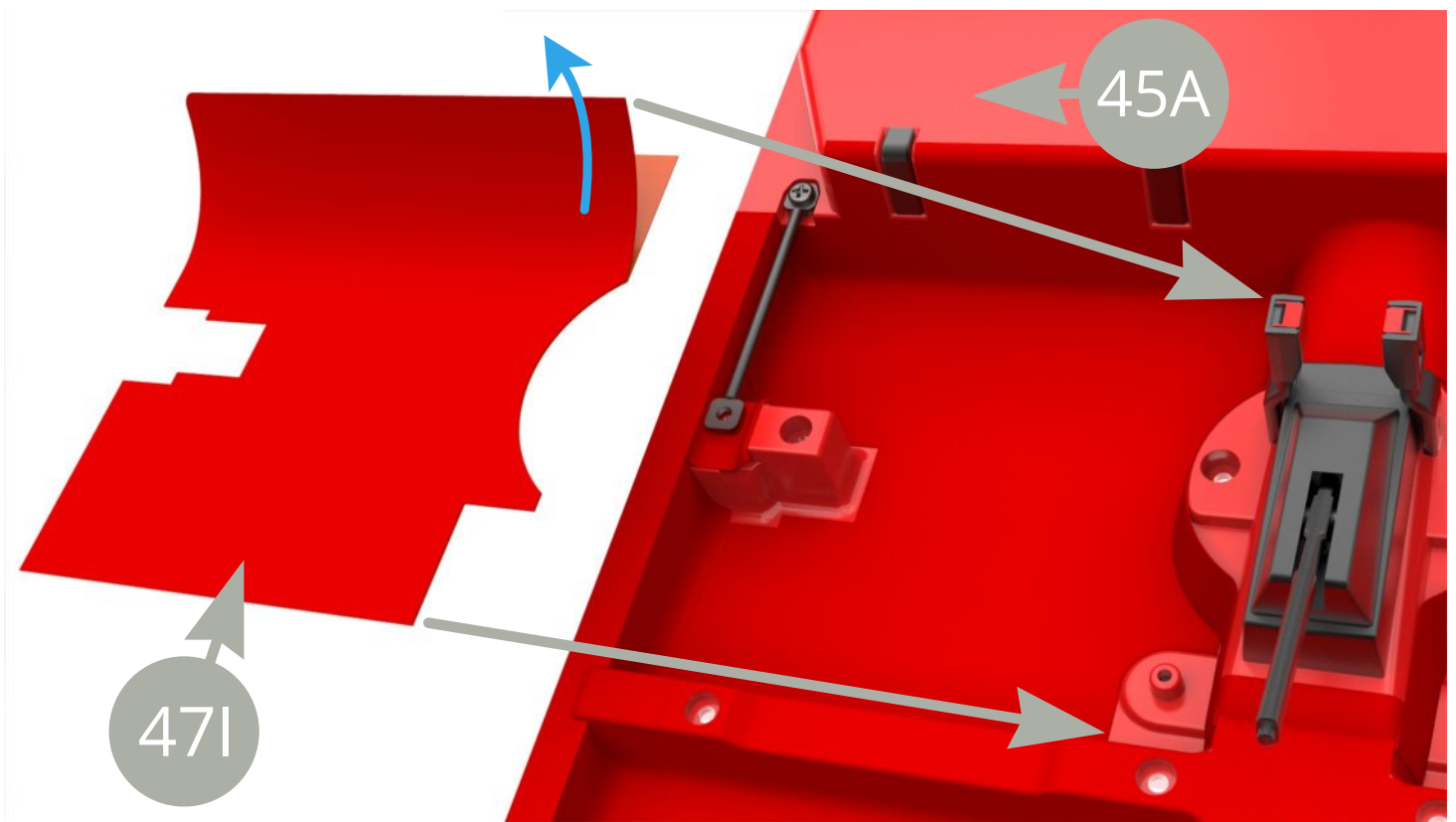
Peel **47F Cabin floor cover** off its backing paper , align four holes (**green crossed arrows**) to four holes on **45A Cabin floor** , apply and and smooth on the cover .



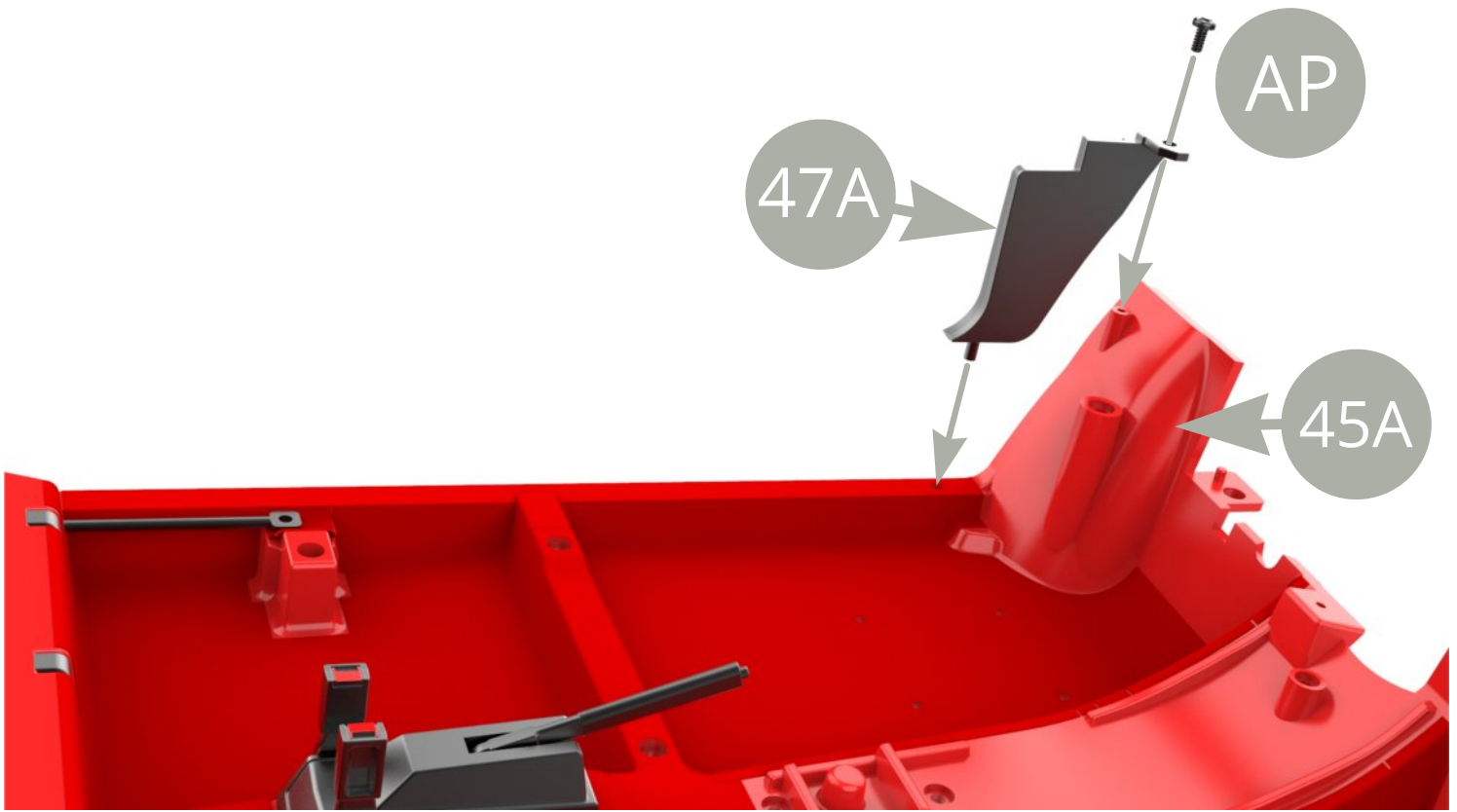
Peel **47G Cabin floor cover** off its backing paper , apply and smooth on **45A Cabin floor** right front area .



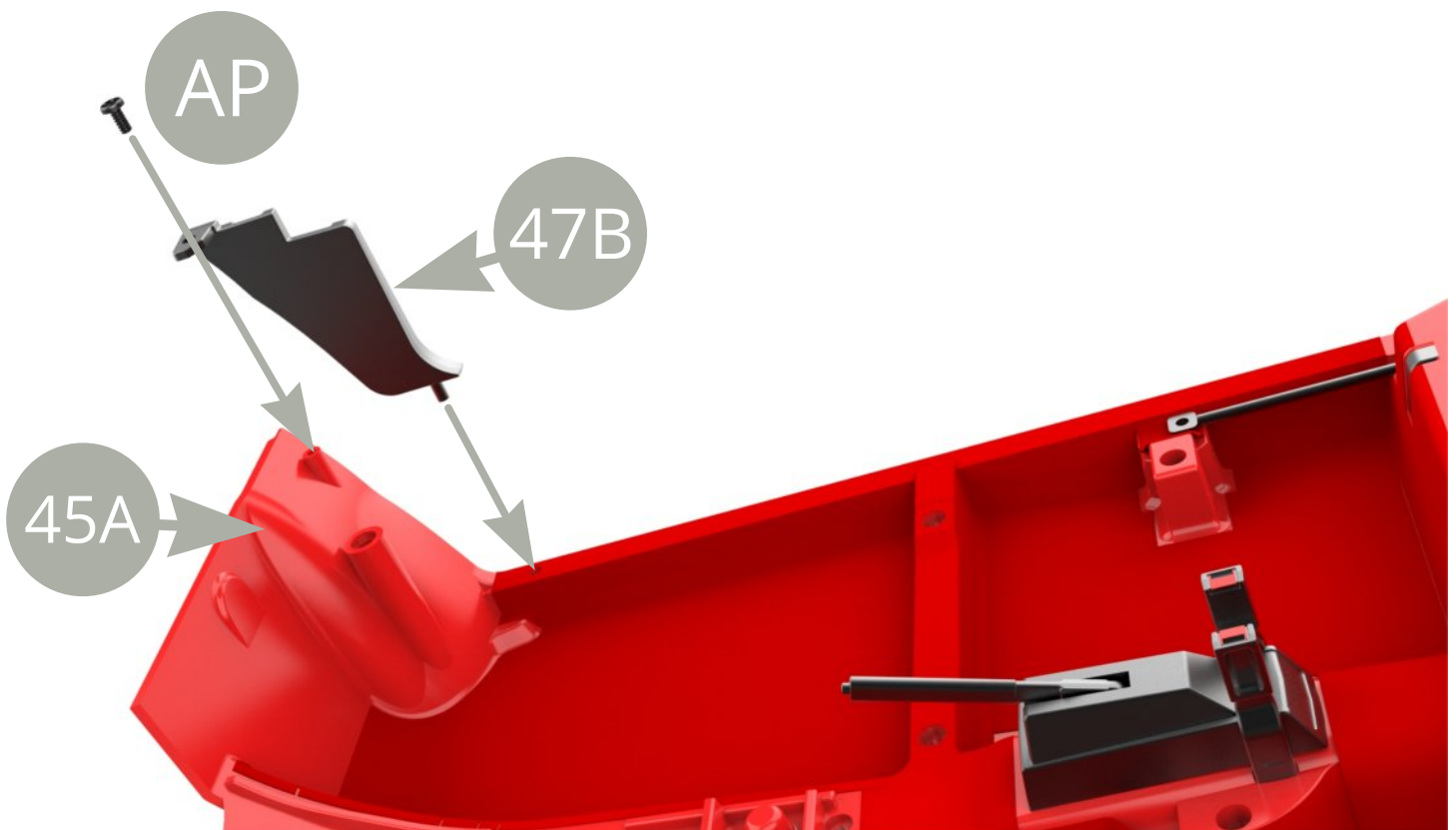
Peel **47H Cabin floor cover** off its backing paper , apply and smooth on **45A Cabin floor** left rear area .



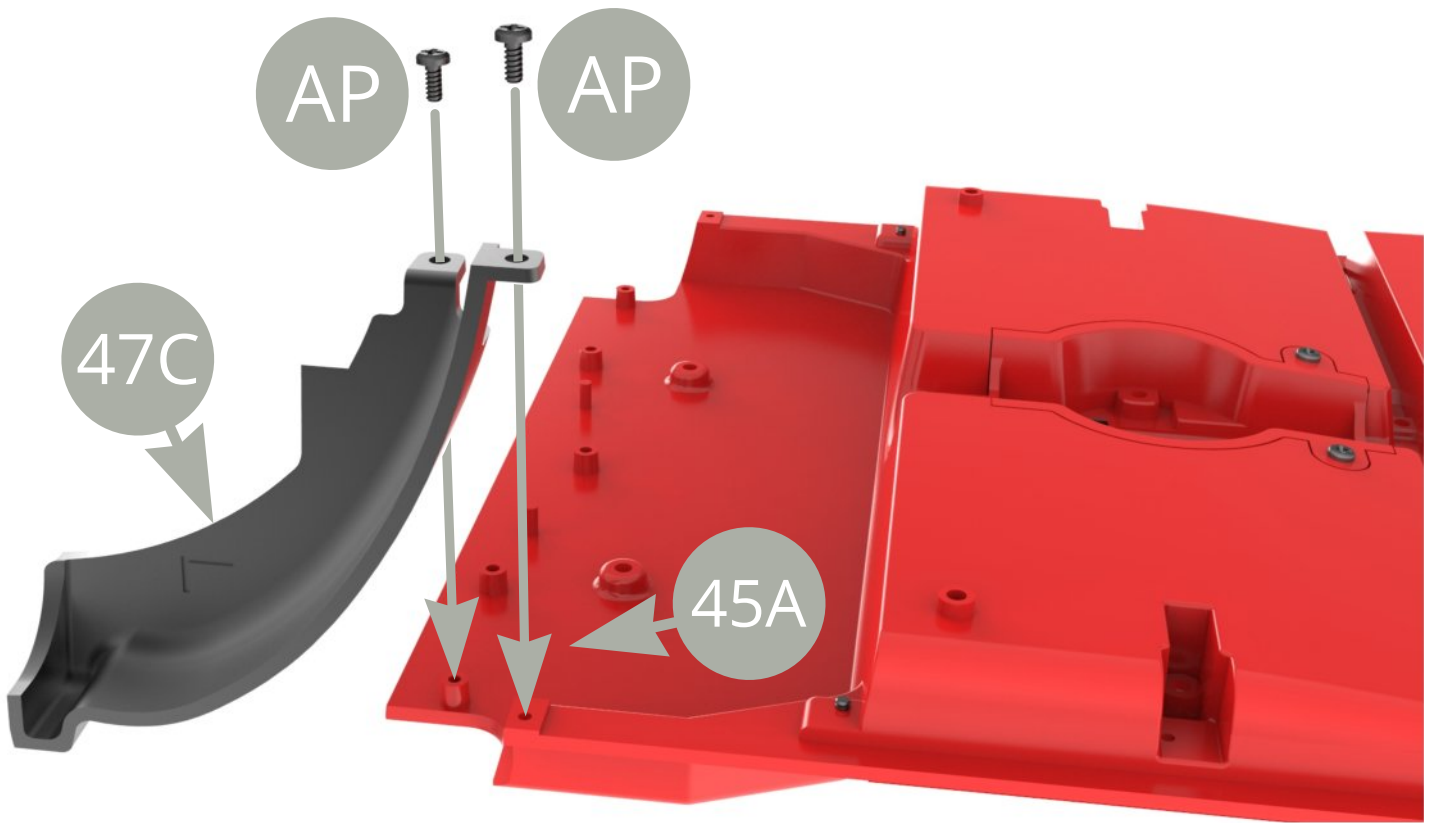
Peel **47I Cabin floor cover** off its backing paper , apply and smooth on **45A Cabin floor** right rear area .



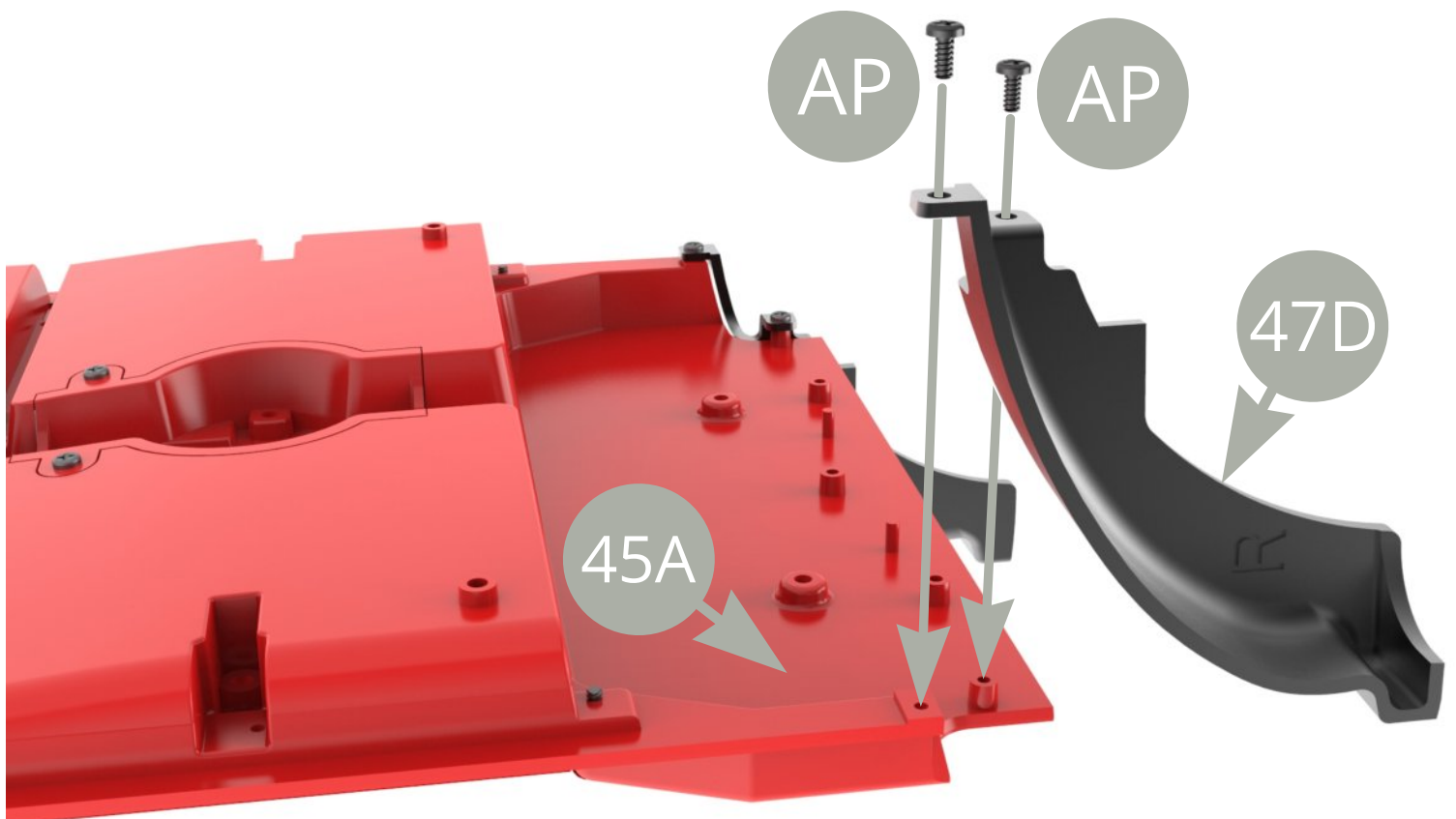
Fit **47A Front Left side panel** to **45A Cabin floor** and fix with **AP screw** .



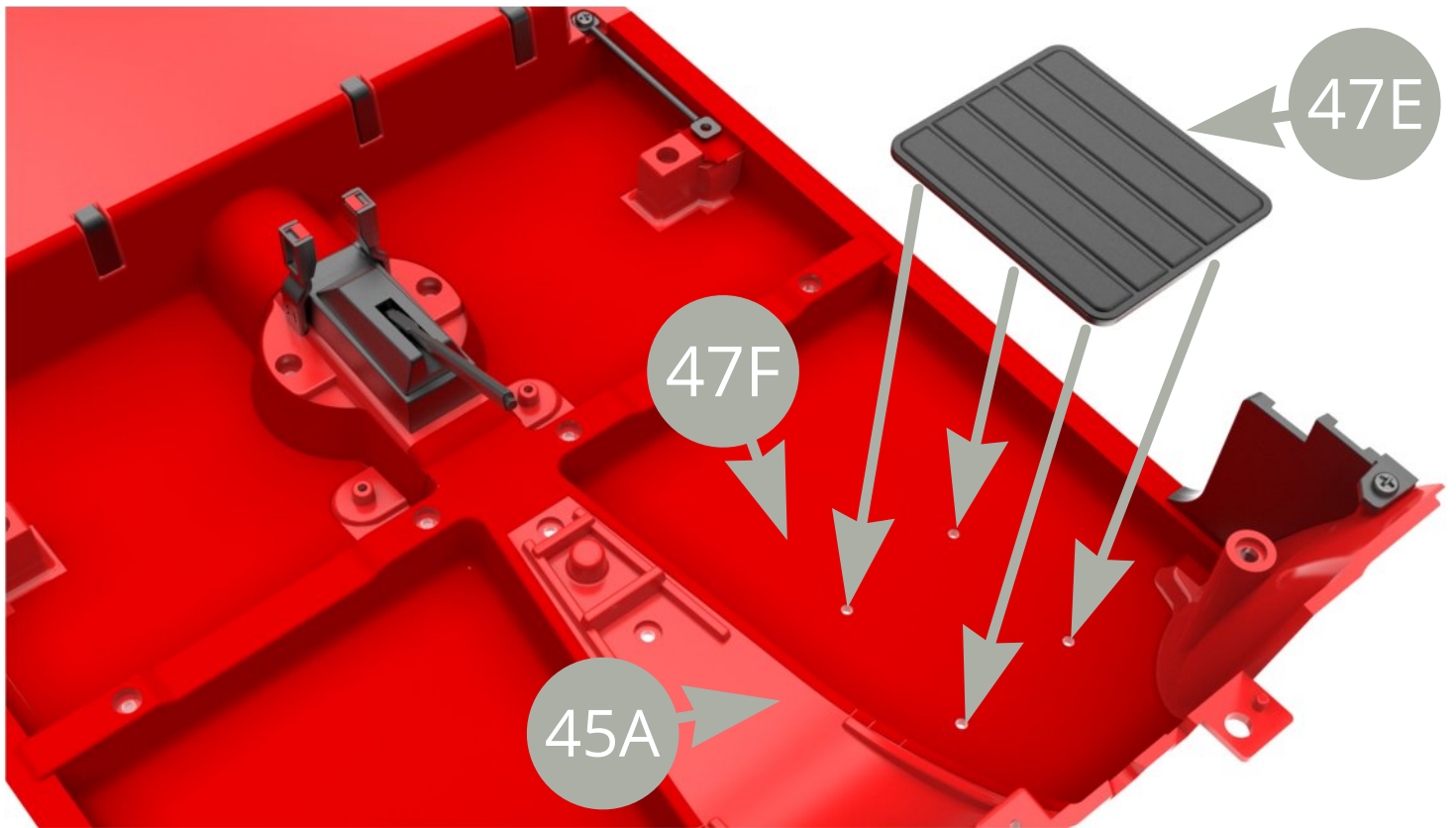
Fit **47B Front Right side panel** to **45A Cabin floor** and fix with **AP screw** .



Fit **47C Rear Left wheel arc** to **45A Cabin floor** left rear corner and fix with two **AP screws** .

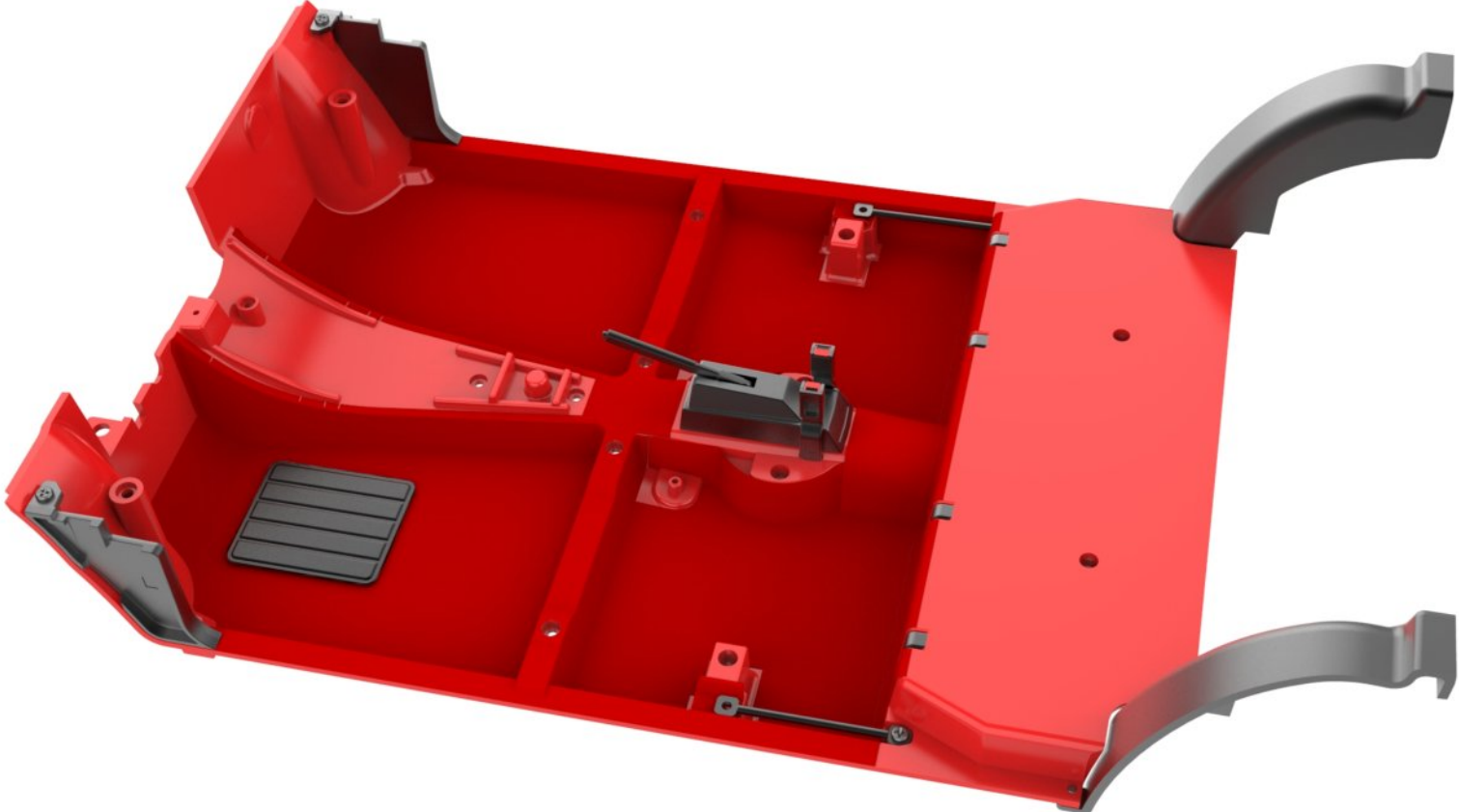
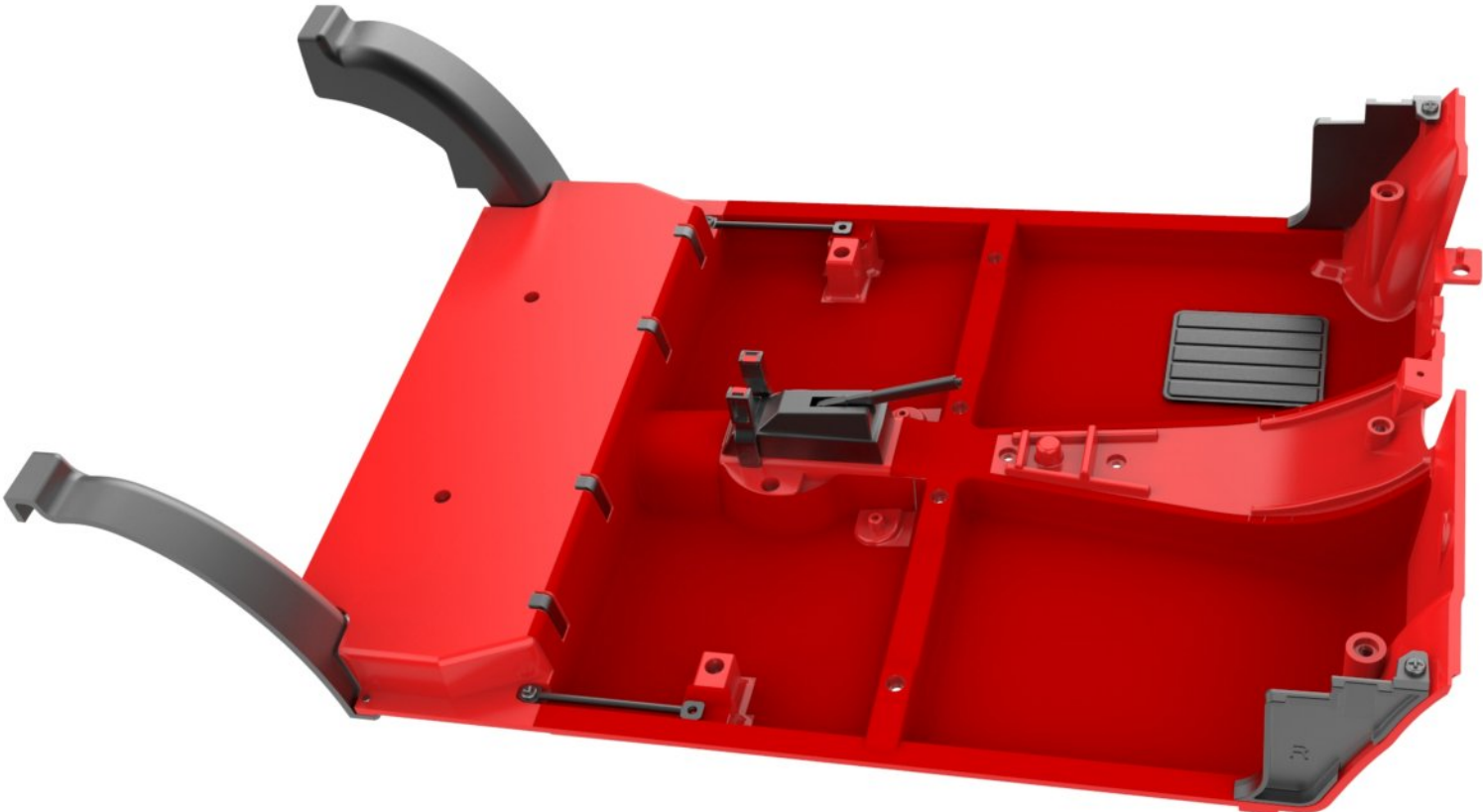


Fit **47D Rear Right wheel arc** to **45A Cabin floor** right rear corner and fix with two **AP screws** .



Fit **47E Driver's feet mat** to four holes in **45A Cabin floor** upon **47F Cabin floor cover** .

Final views .



Assembly drawings .

