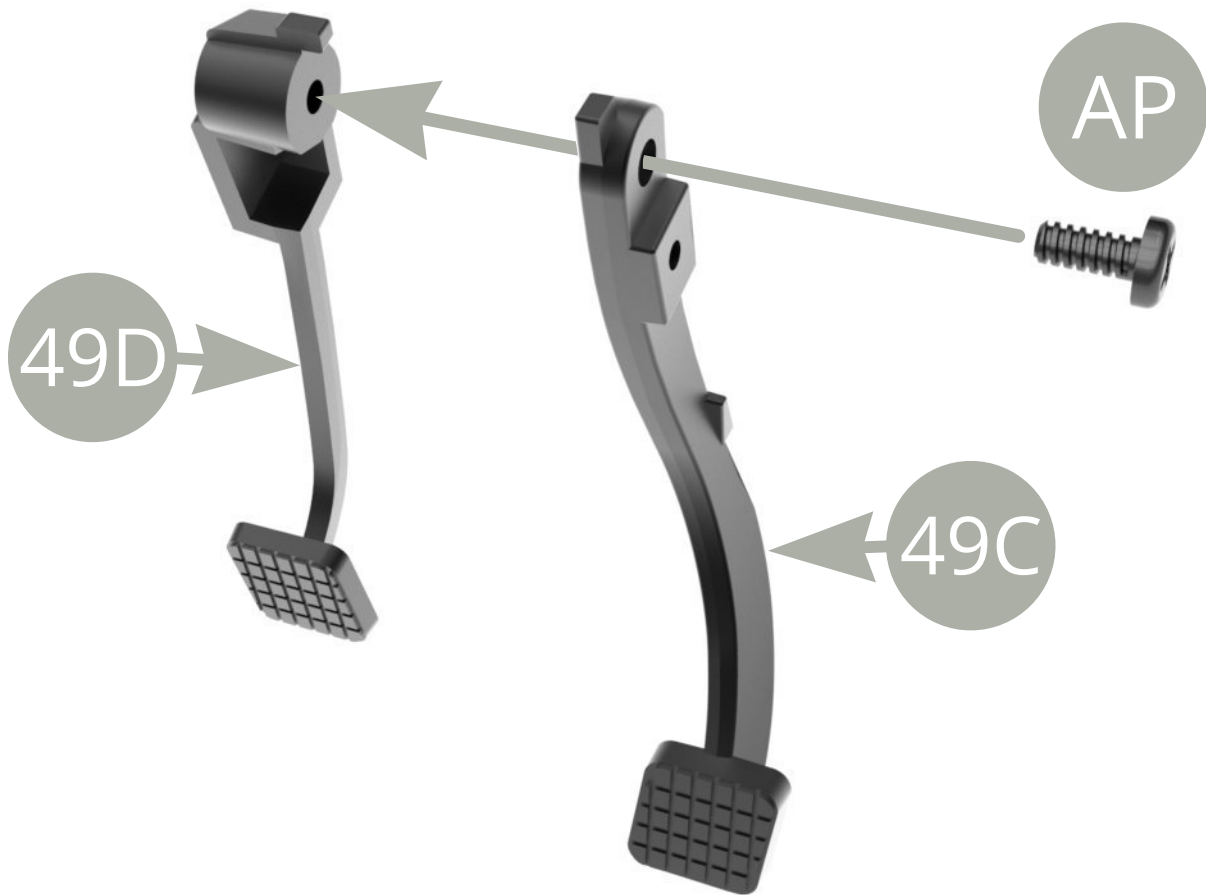
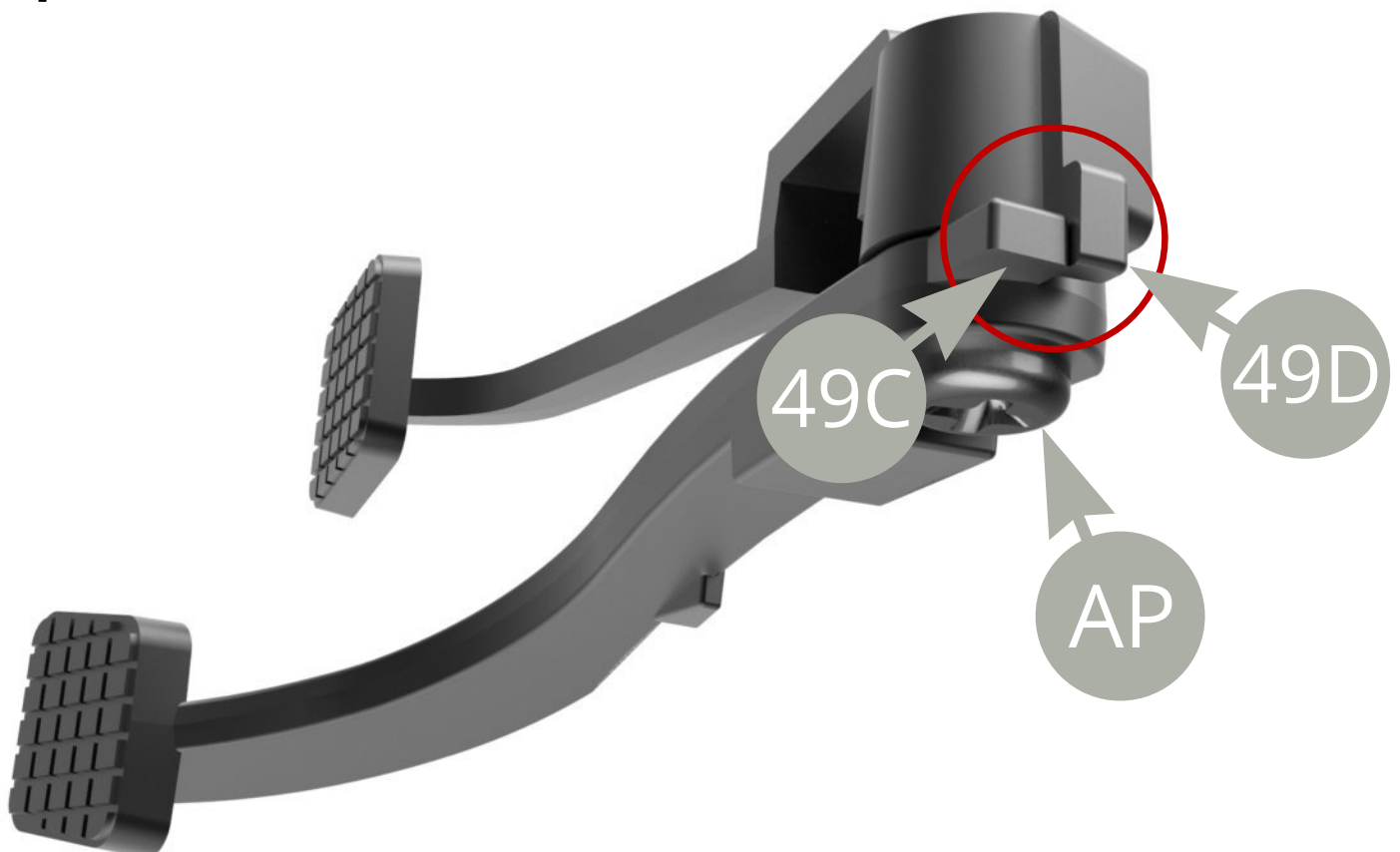
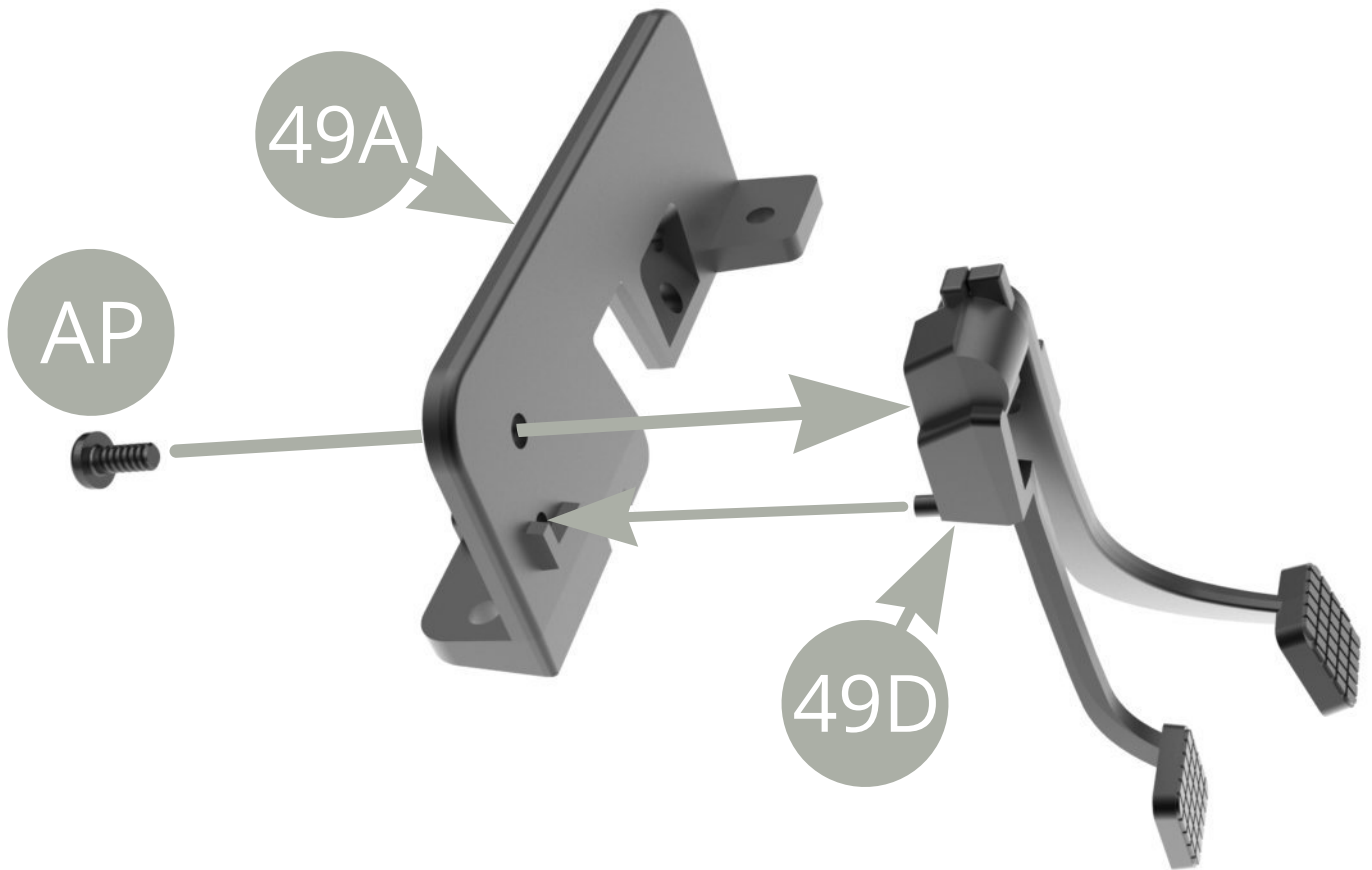


- 49A Pedals' panel
  - 49B Accelerator pedal
  - 49C Brake pedal
  - 49D Clutch pedal
  - 49E Switch holder
  - 49F Brake switch cable
- AP M1,7 x4mm ( x6 )

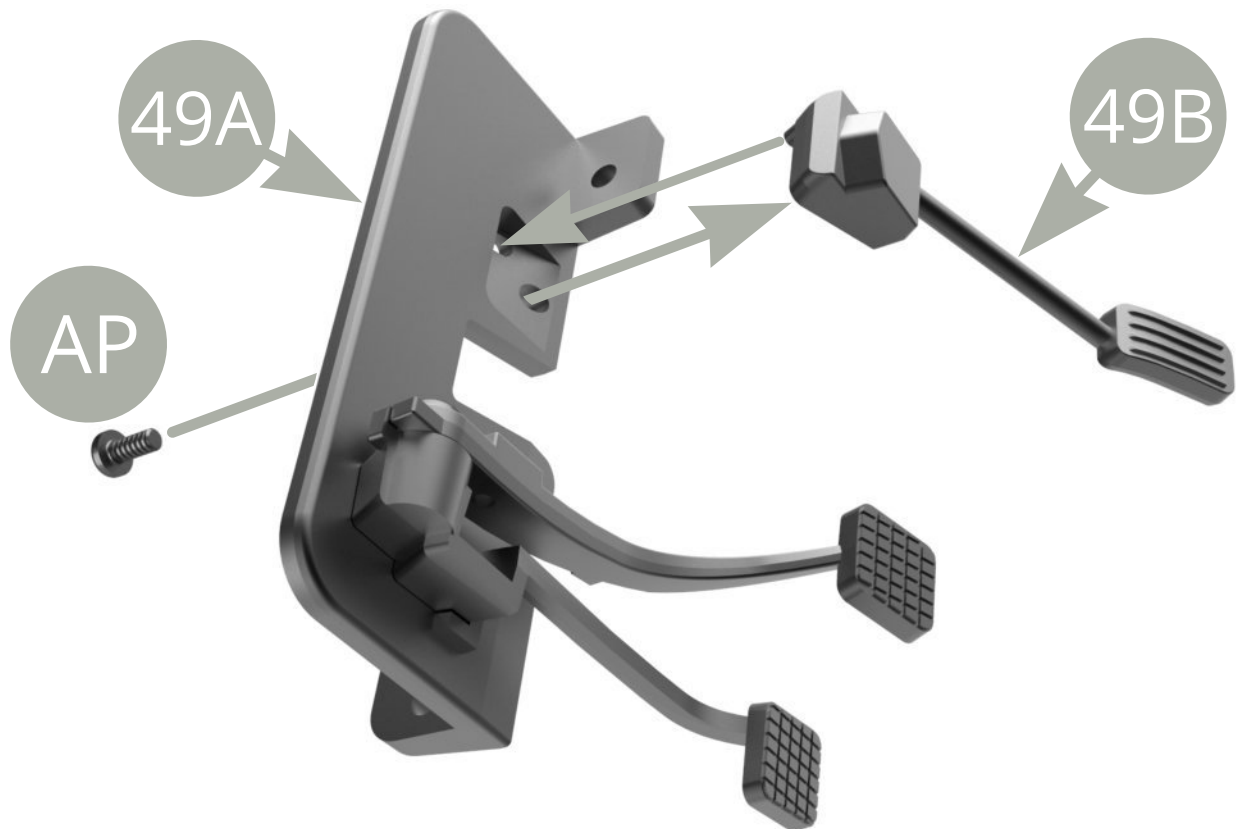


Fit **49C Brake pedal** to **49D Clutch pedal** and fix with **AP screw** ( don't overtighten , allow pedals movement ) .  
Note mutual orientation of **49D Clutch** and **49C Brake pedals** as shown below in **red circle** .

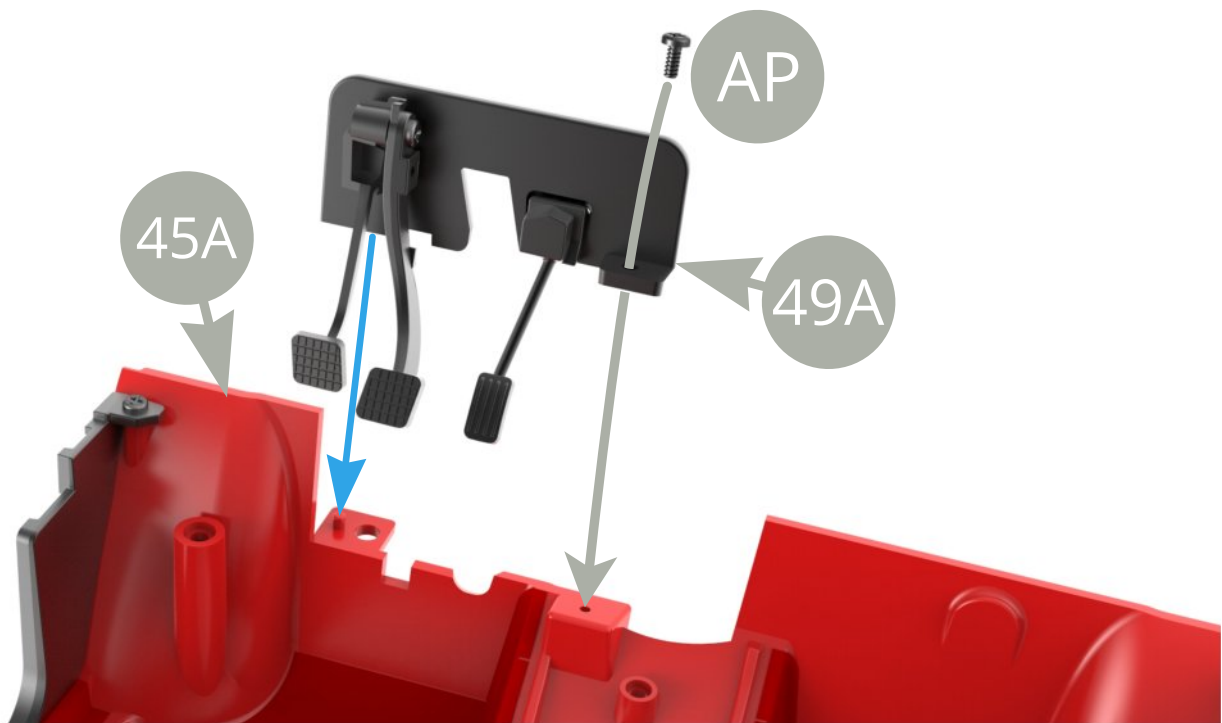




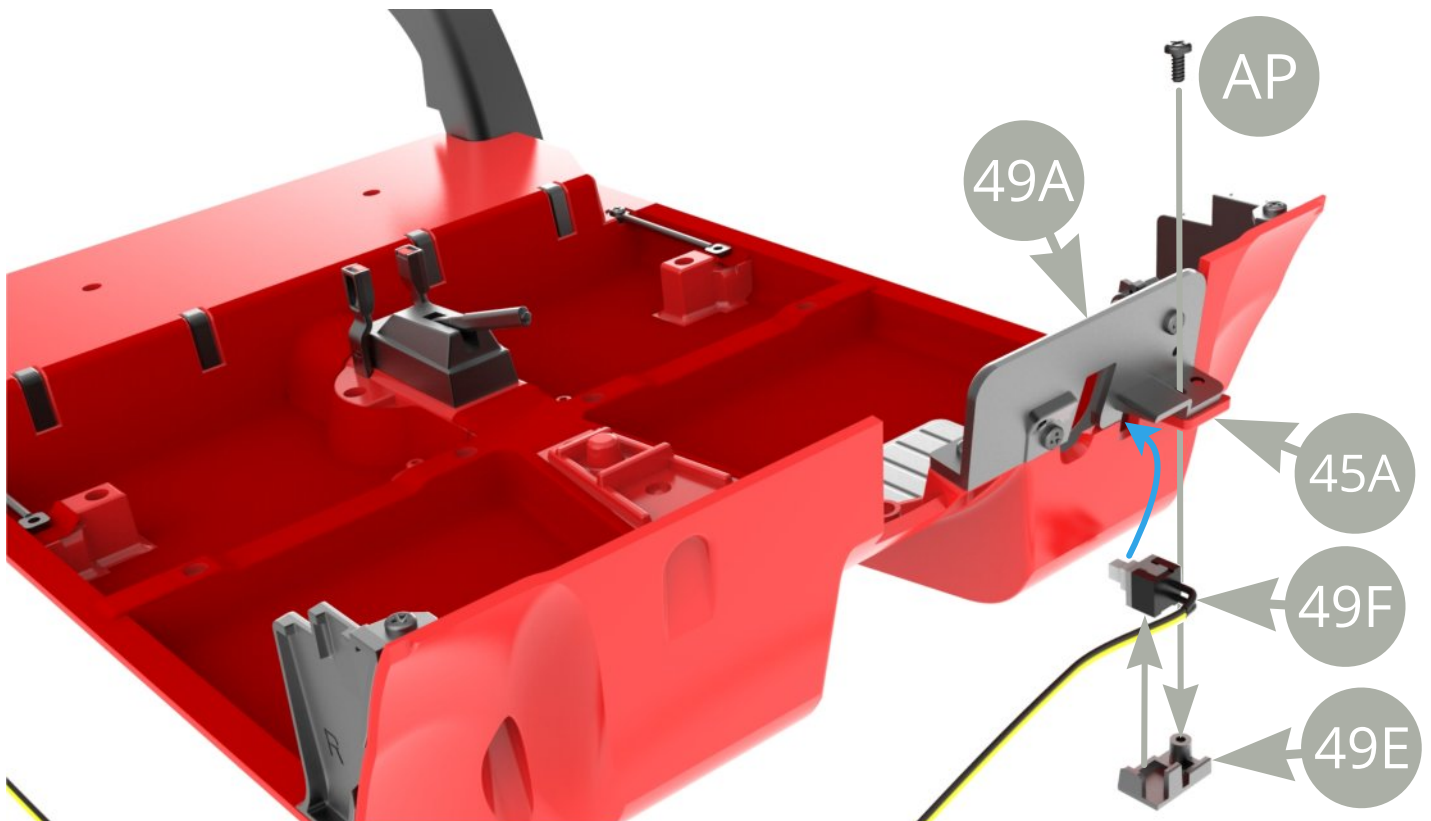
Fit **49D Clutch pedal** to **49A Pedals' panel** and fix with **AP screw** .



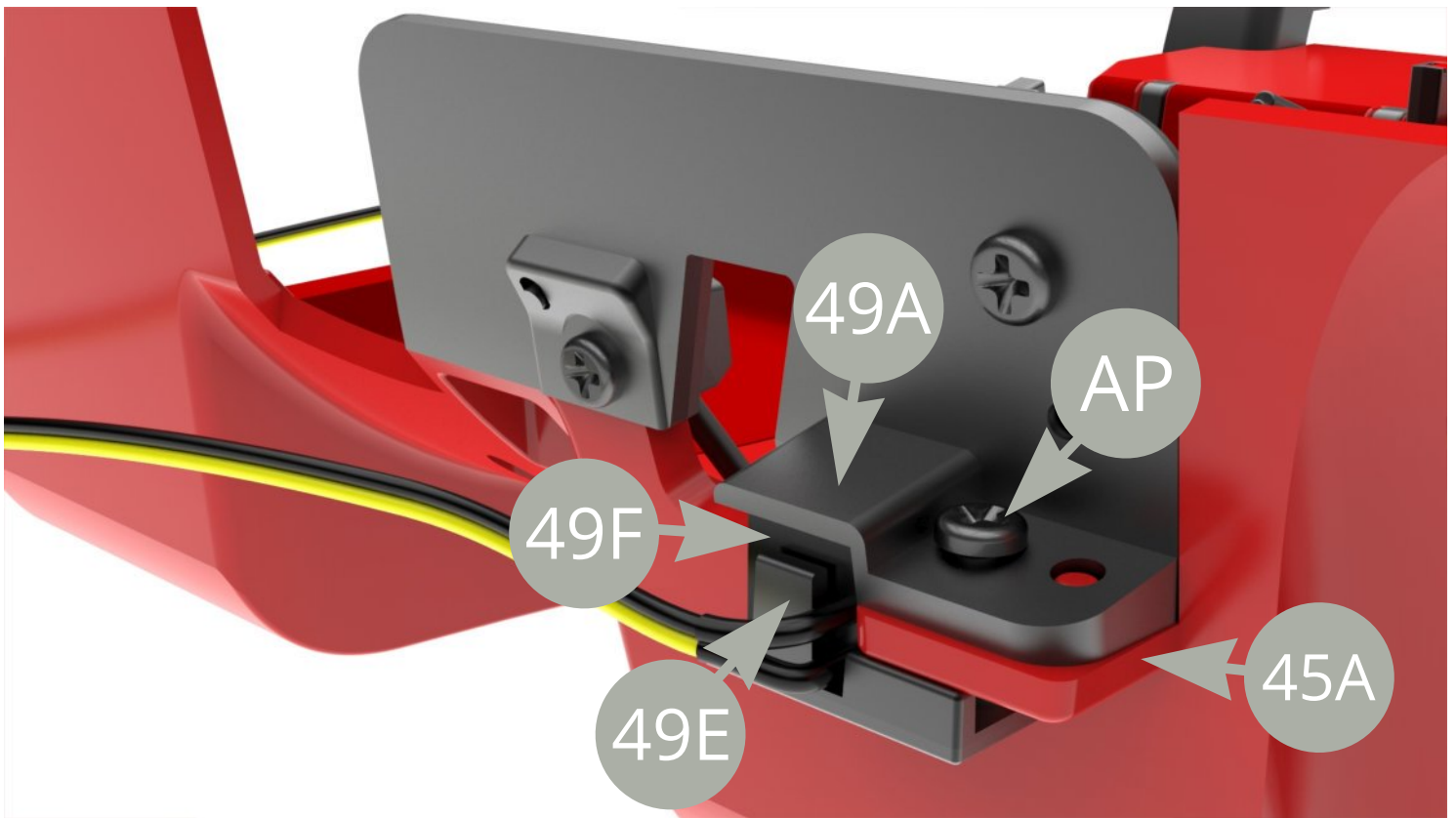
Fit **49B Accelerator pedal** to **49A Pedals' panel** and fix with **AP screw** .



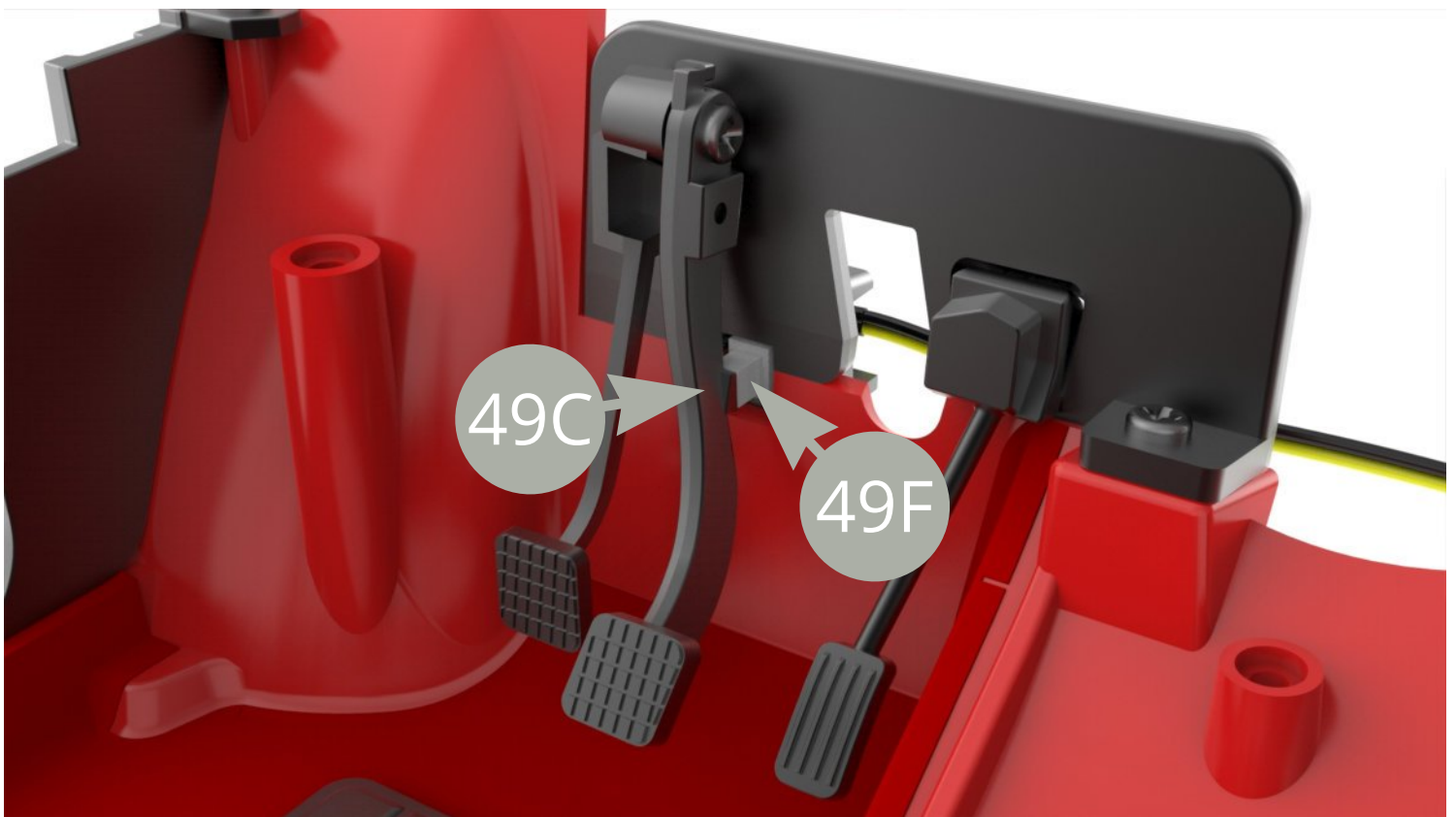
Fit **49A Pedal's panel** to **45A Cabin floor pin** ( **blue arrow** ) and fix with **AP screw** .



Fit **49F Brake switch** into the opening pointed by **blue arrow** , secure it from below by **49E Switch holder** and fix the latter with **AP screw** to **45A Cabin floor bracket** and **49A Pedals' panel bracket** .

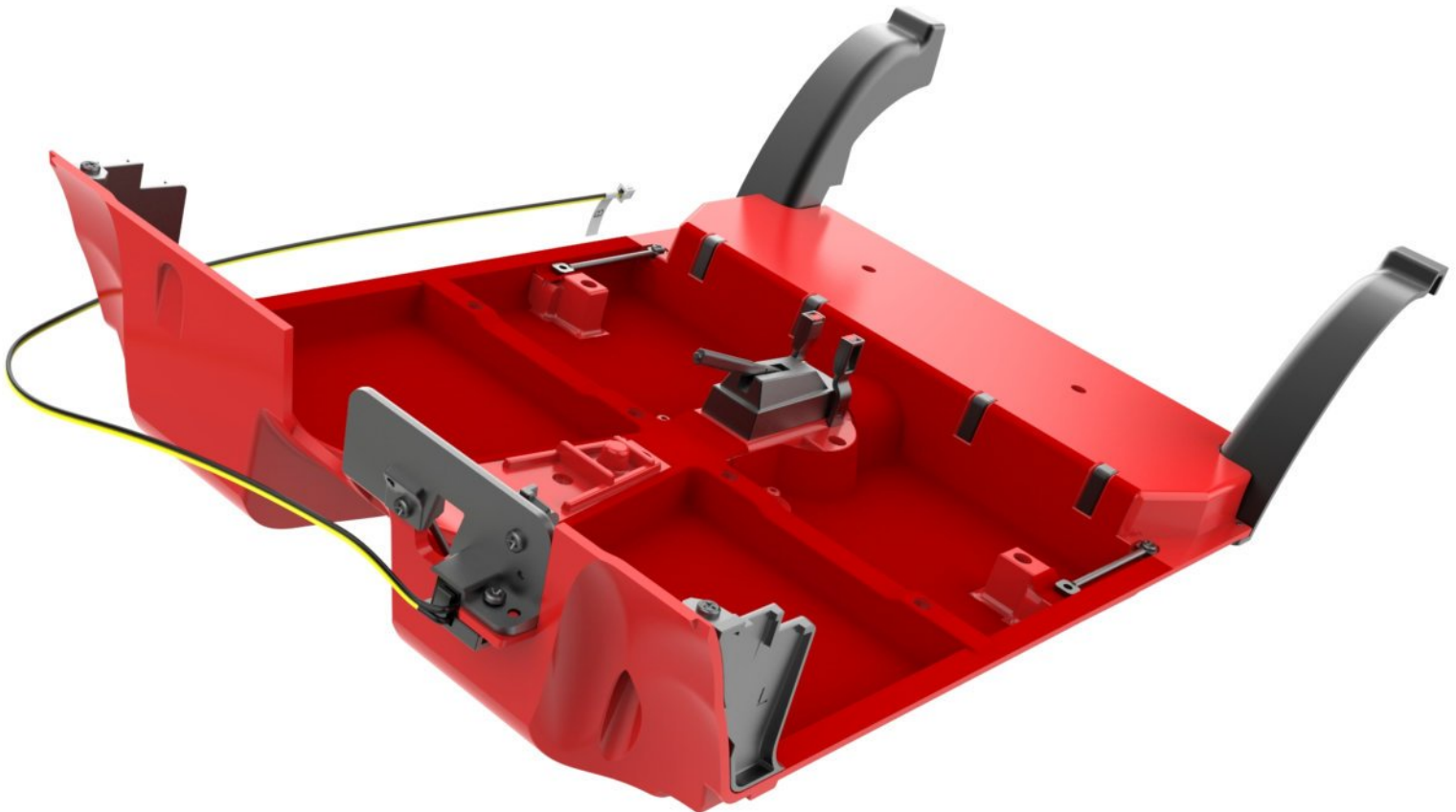
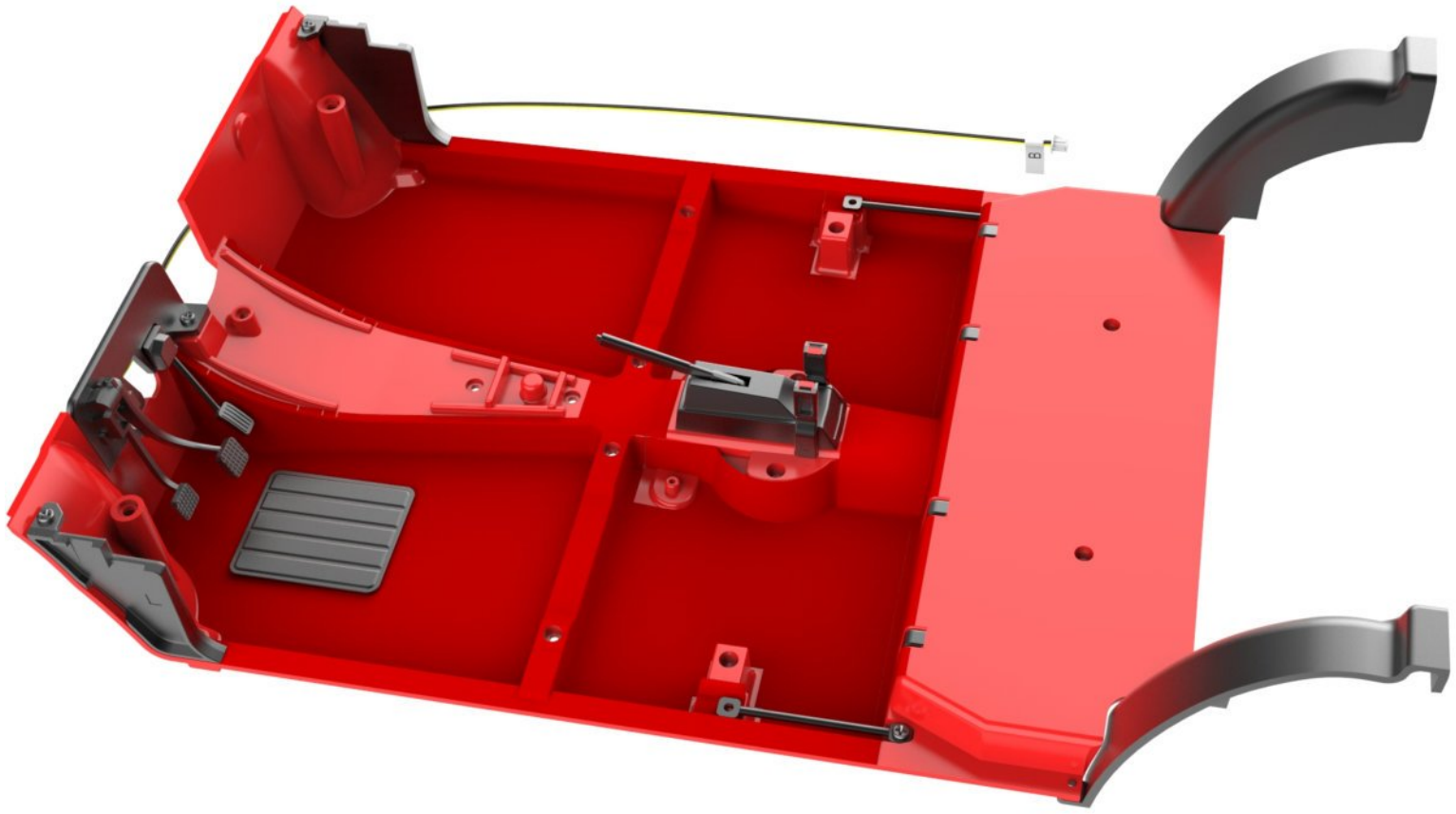


**49F Brake switch** installed between **49A Pedals' panel bracket** and **49E Switch holder** .



Note the achieved result of **49C Brake pedal knob** aligned against **49F Brake switch** .

Final views .



# Assembly drawings .

