

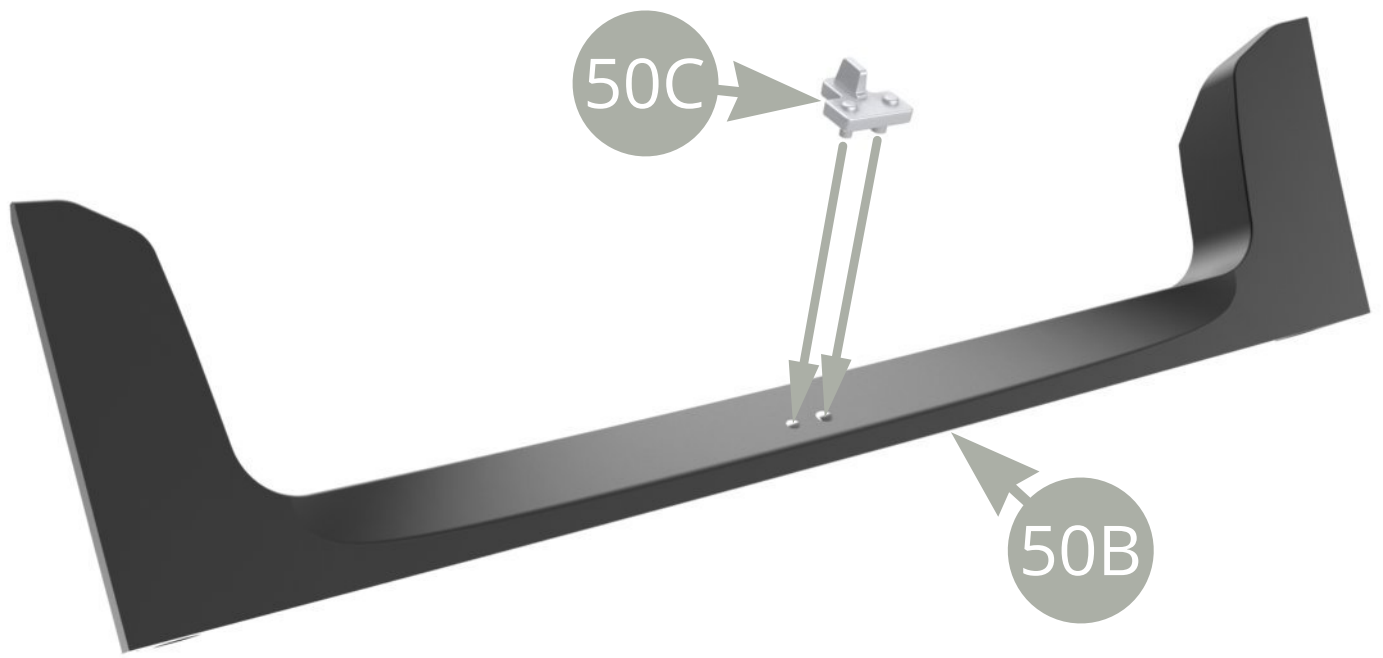
50A Trunk floor

50B Trunk rear panel

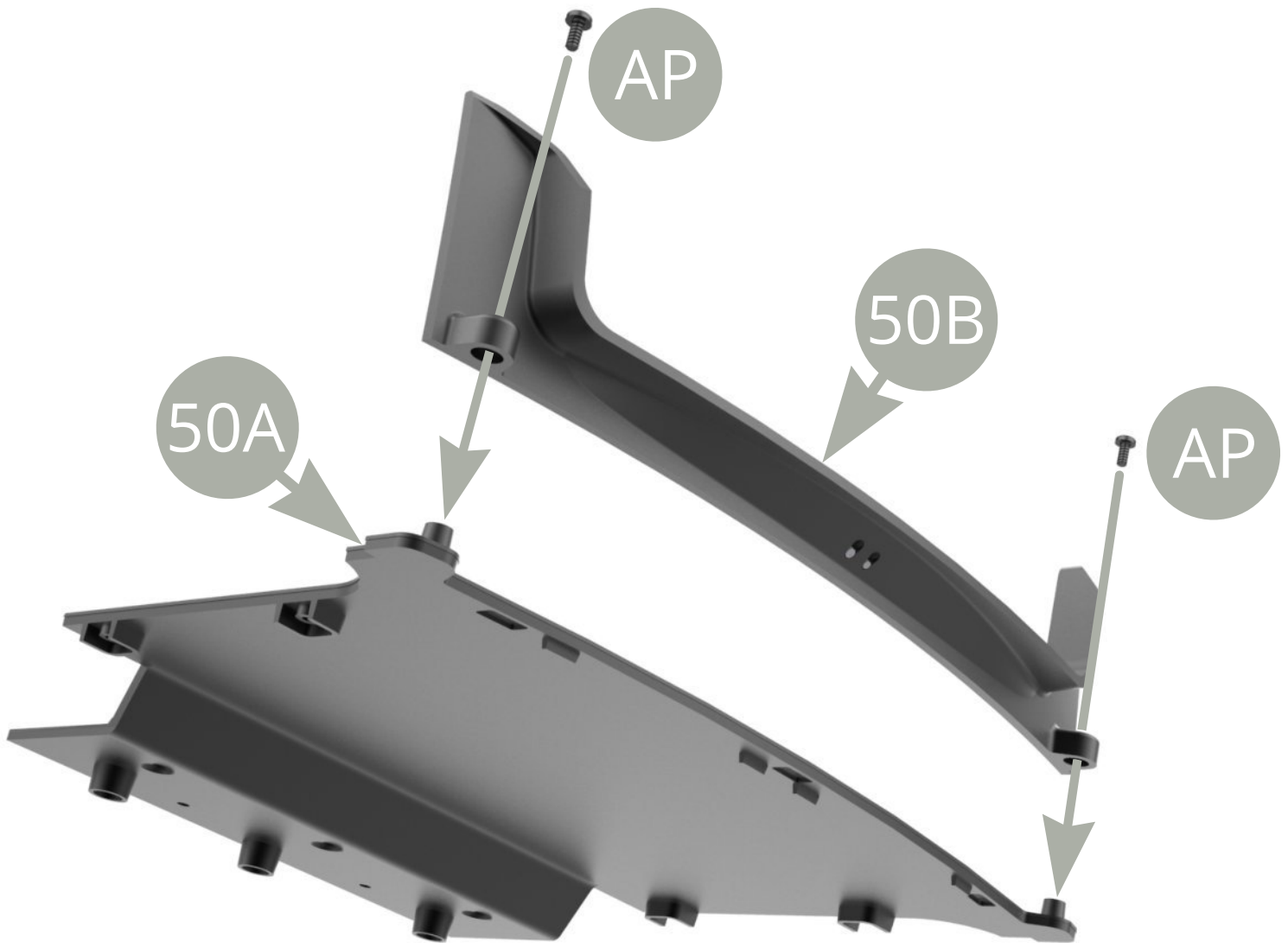
50C Trunk lock

50D Trunk left panel

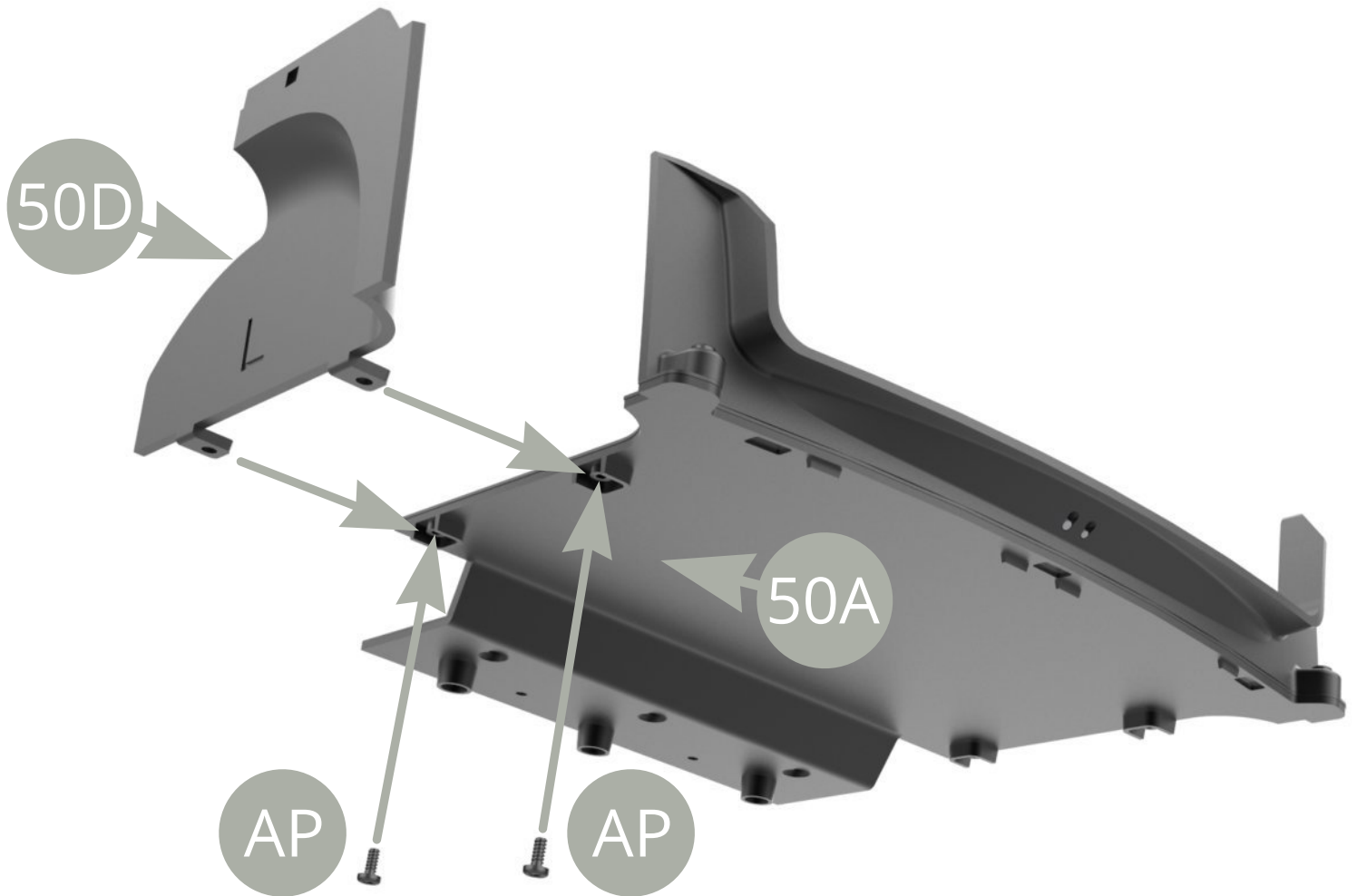
AP M1,7 x4mm ( x5 )



Fit **50C Trunk lock** on its two pins to **50B Trunk rear panel** .

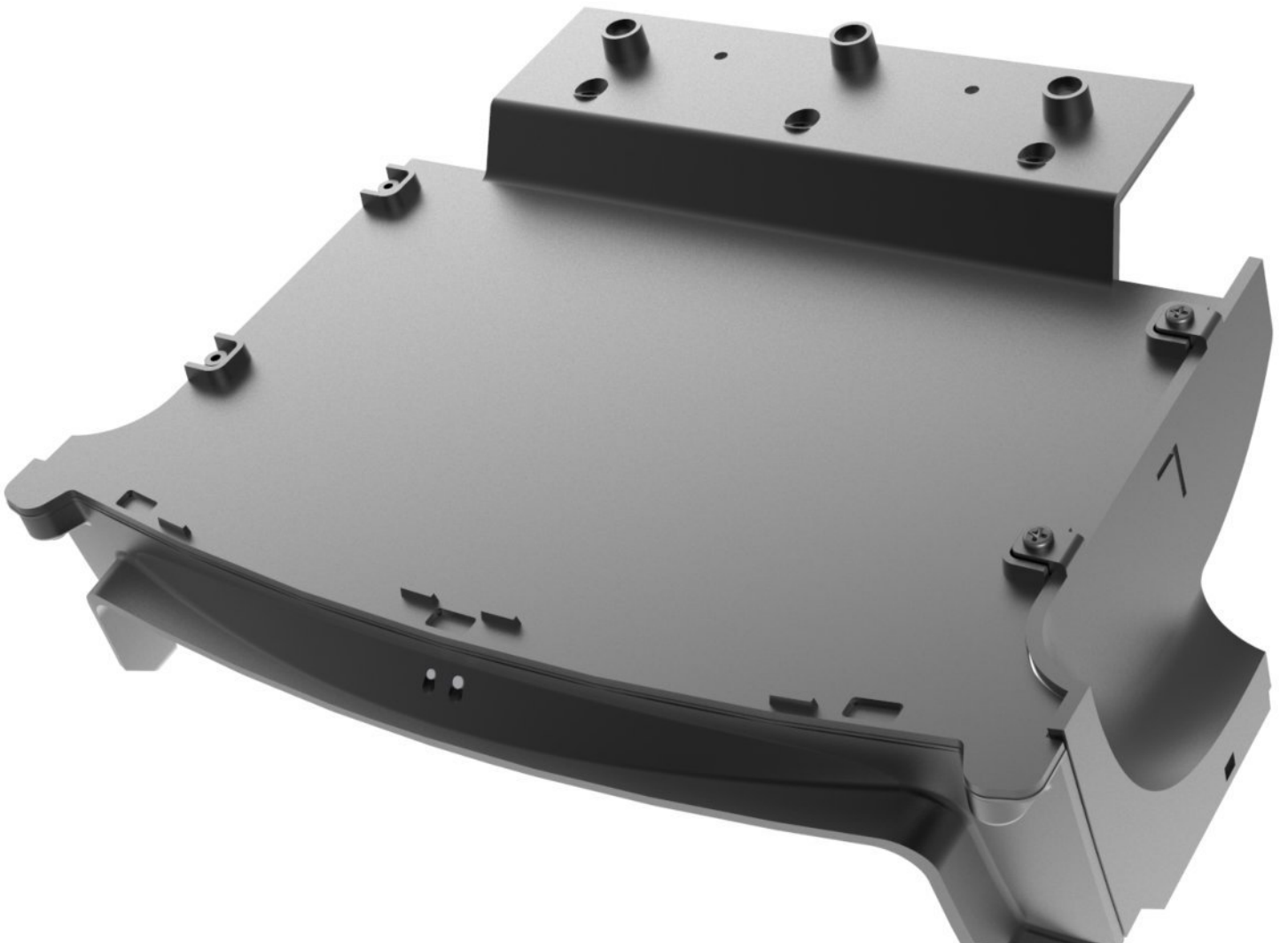


Fit **50B Trunk rear panel** to **50A Trunk floor** and fix with two **AP screws** .



Fit **50D Trunk left panel** to **50A Trunk floor** and fix with two **AP screws** .

Final views .



Assembly drawing .

