

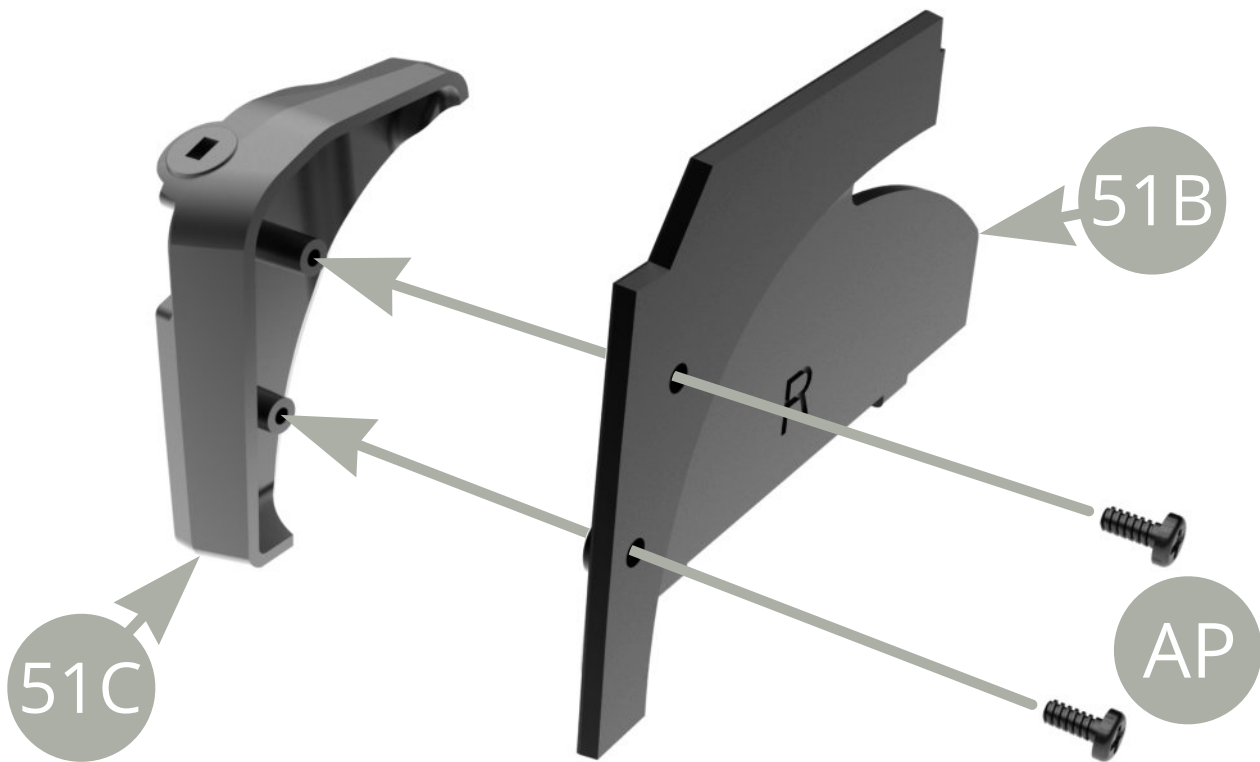
51A Rear seat backrest panel

51B Trunk right panel

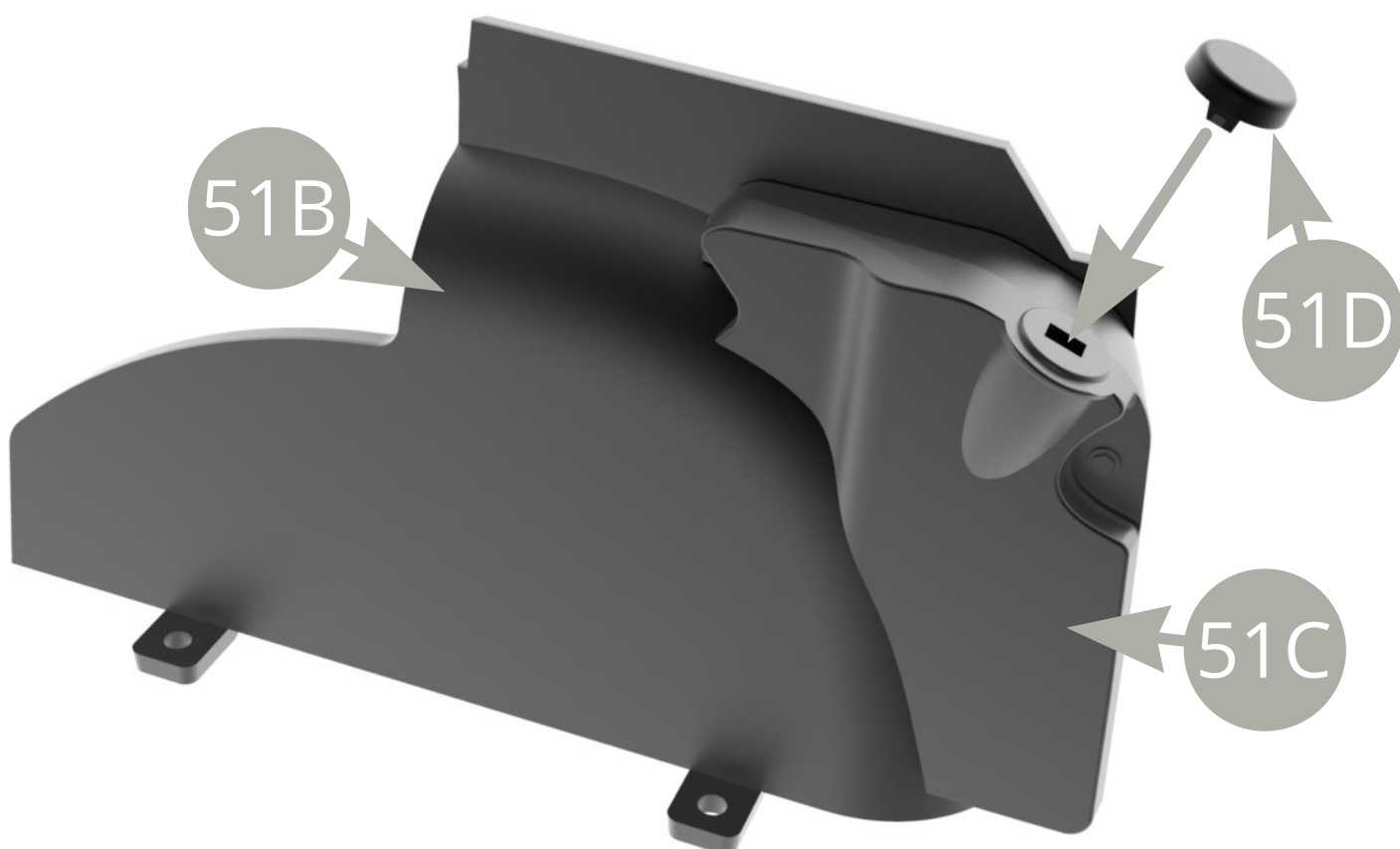
51C Rear screen wash fluid reservoir

51D Cap

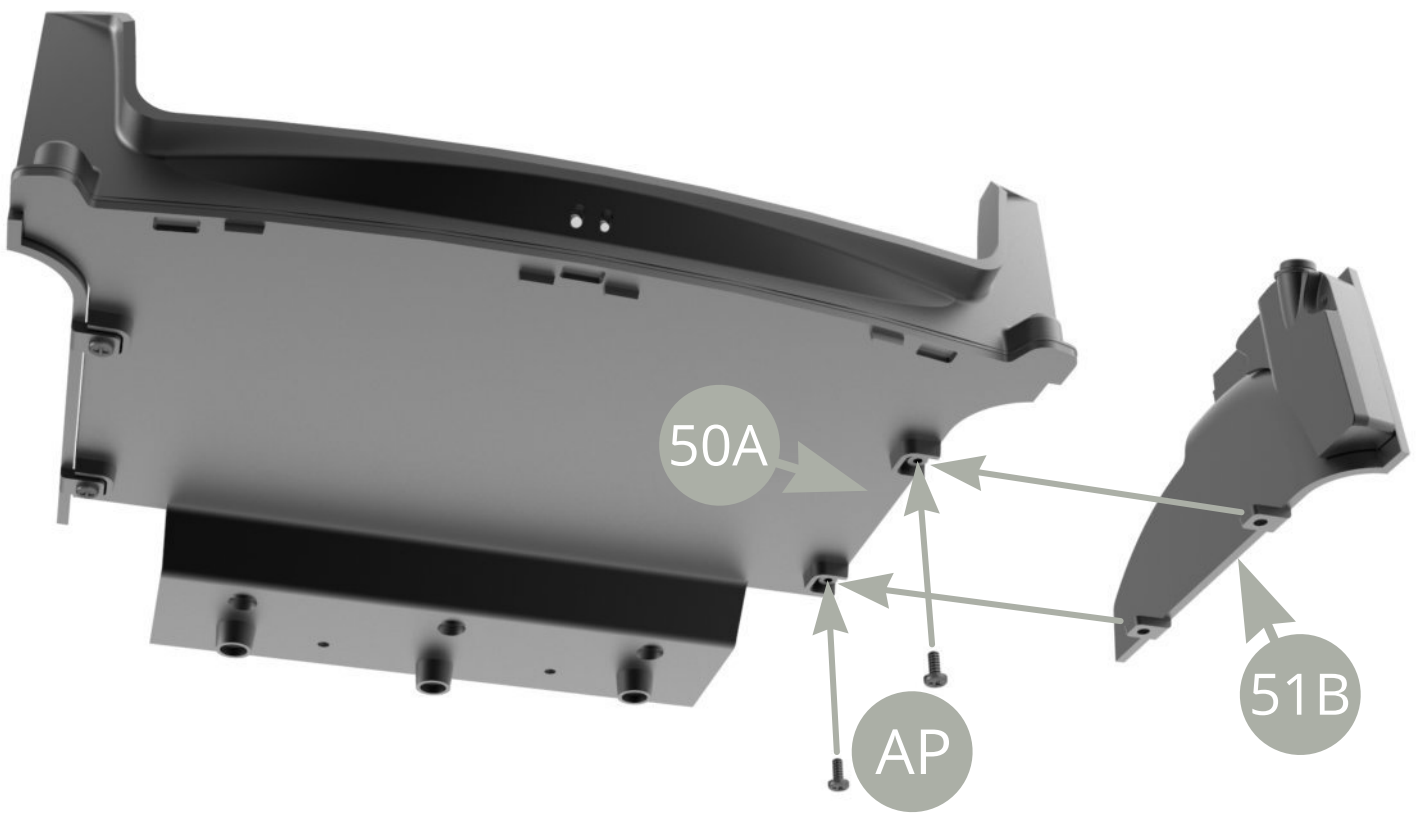
AP M1,7 x4mm (x12)



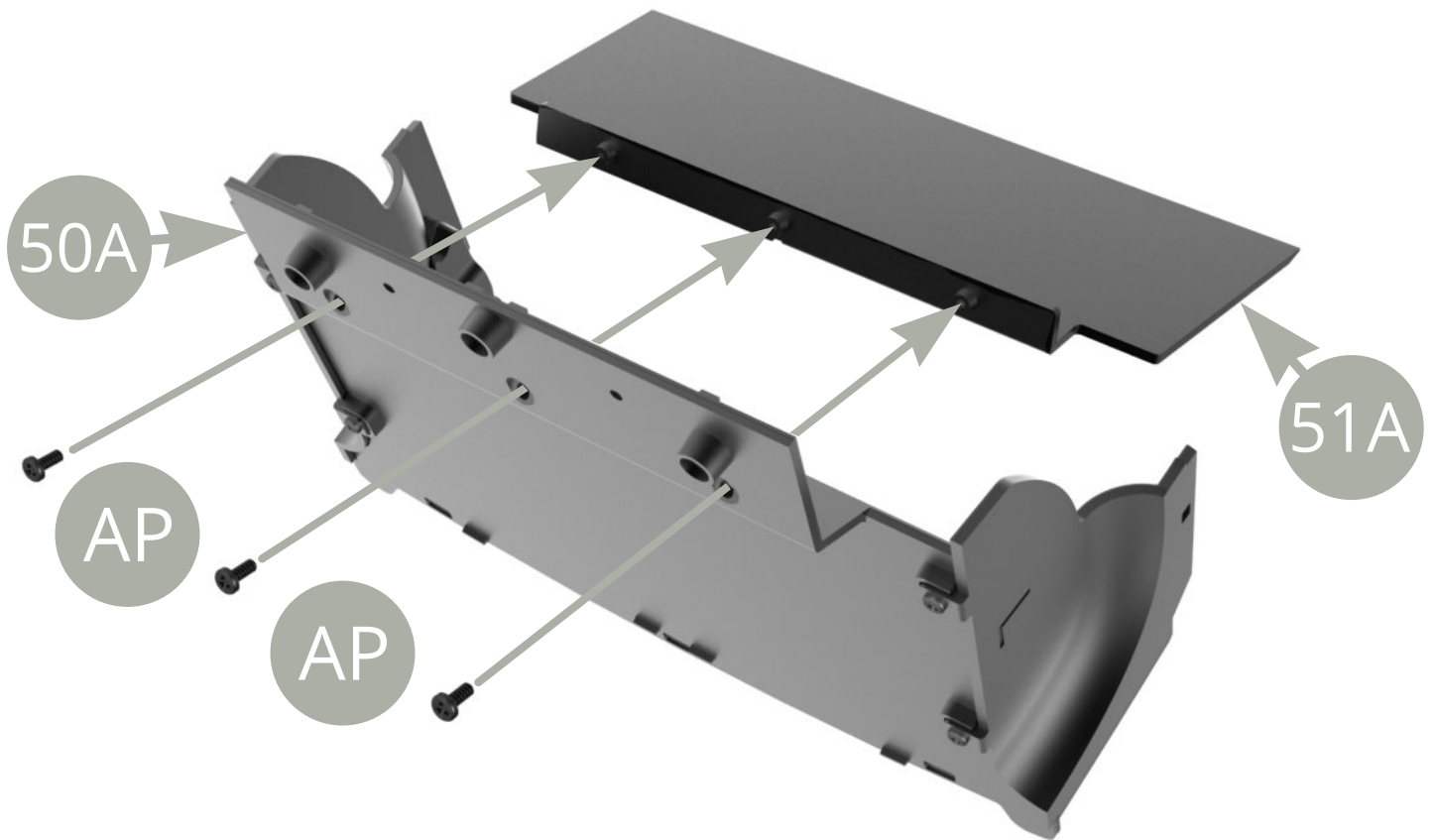
Fit **51C** Rear screen wash fluid reservoir to **51B** Trunk right panel and fix with two **AP** screws .



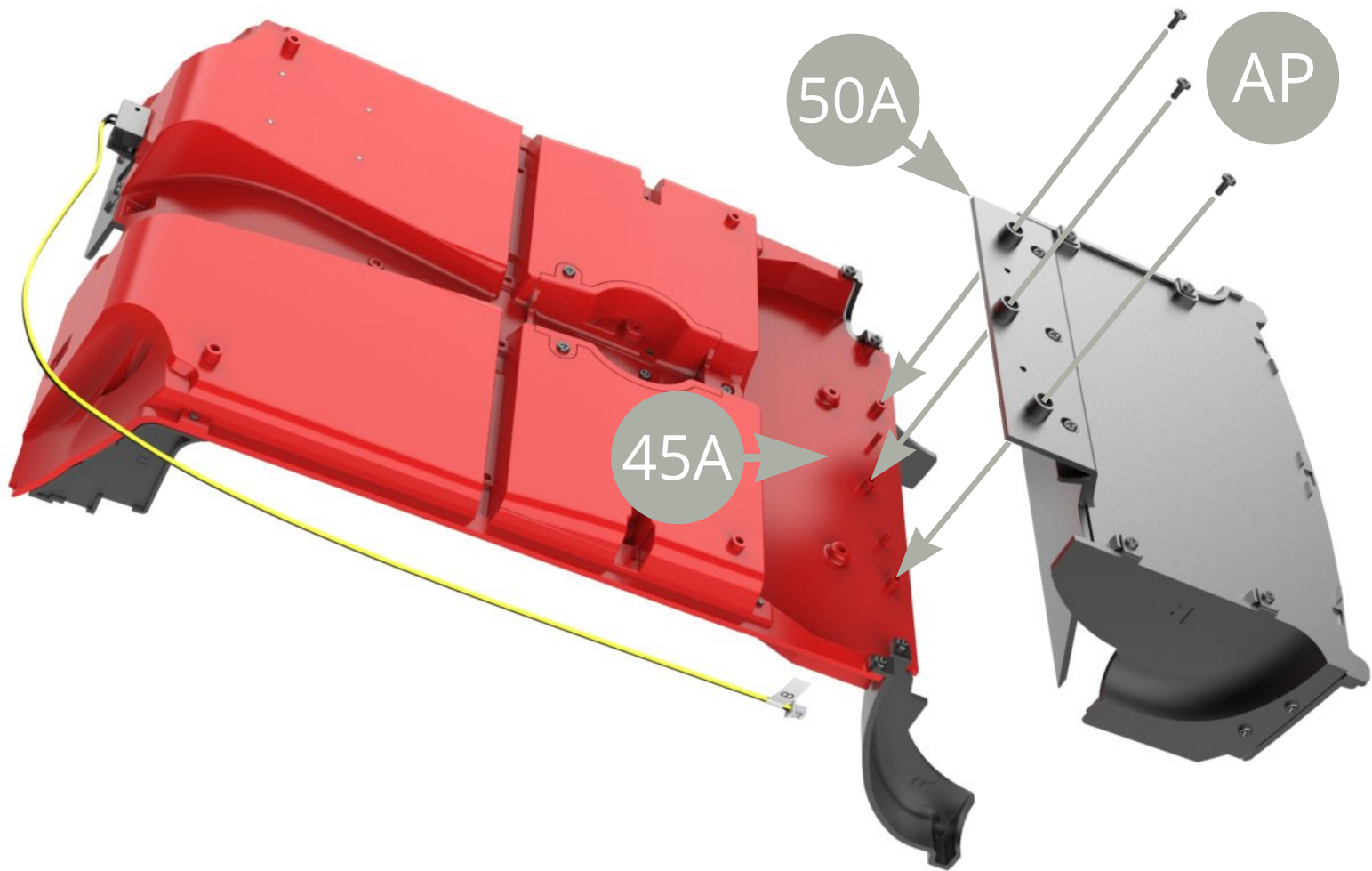
Fit **51D** Cap to **51C** Rear screen wash fluid reservoir .



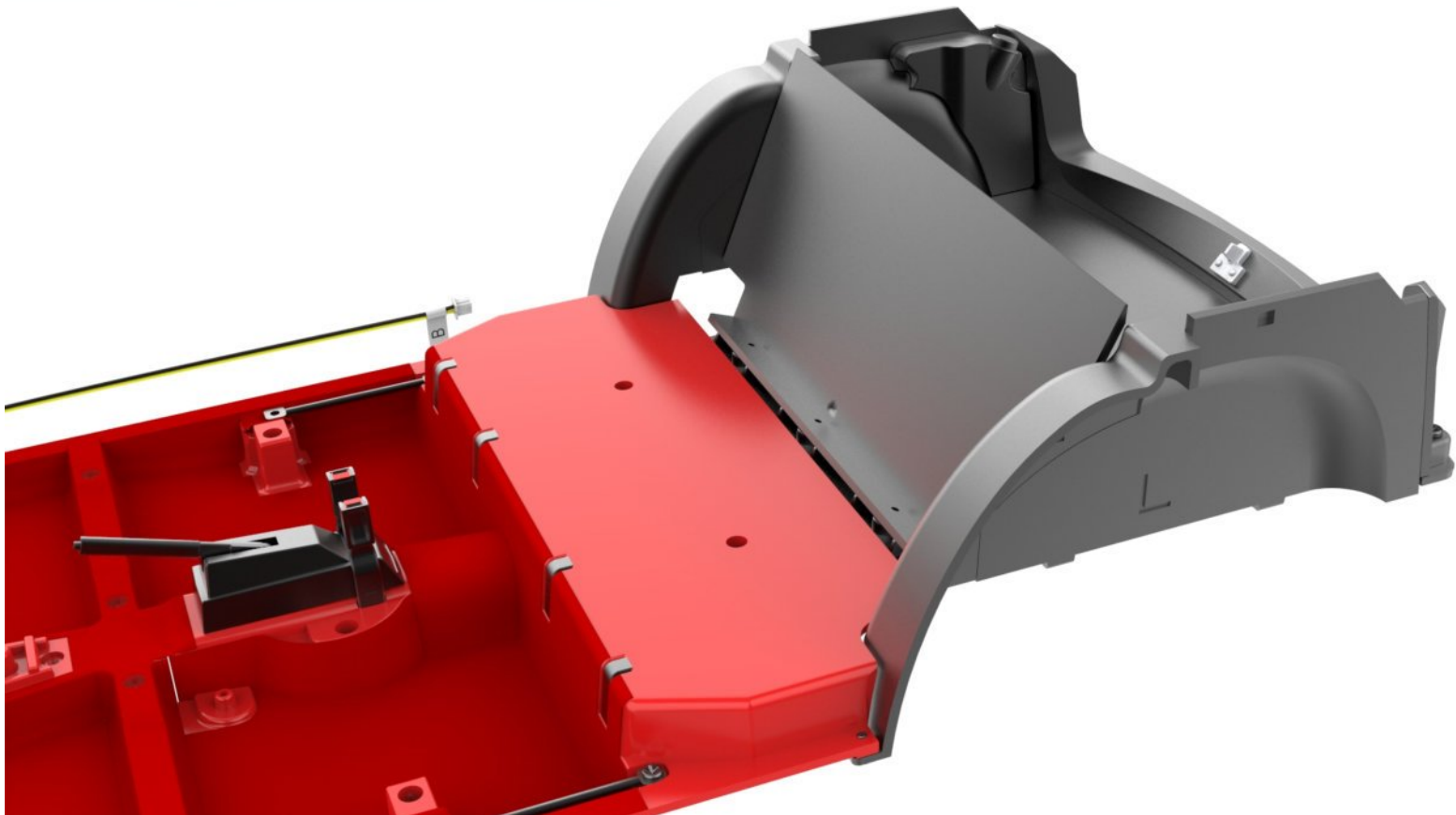
Fit **51B Trunk right panel** to **50A Trunk floor** right edge and fix with two **AP screws** .



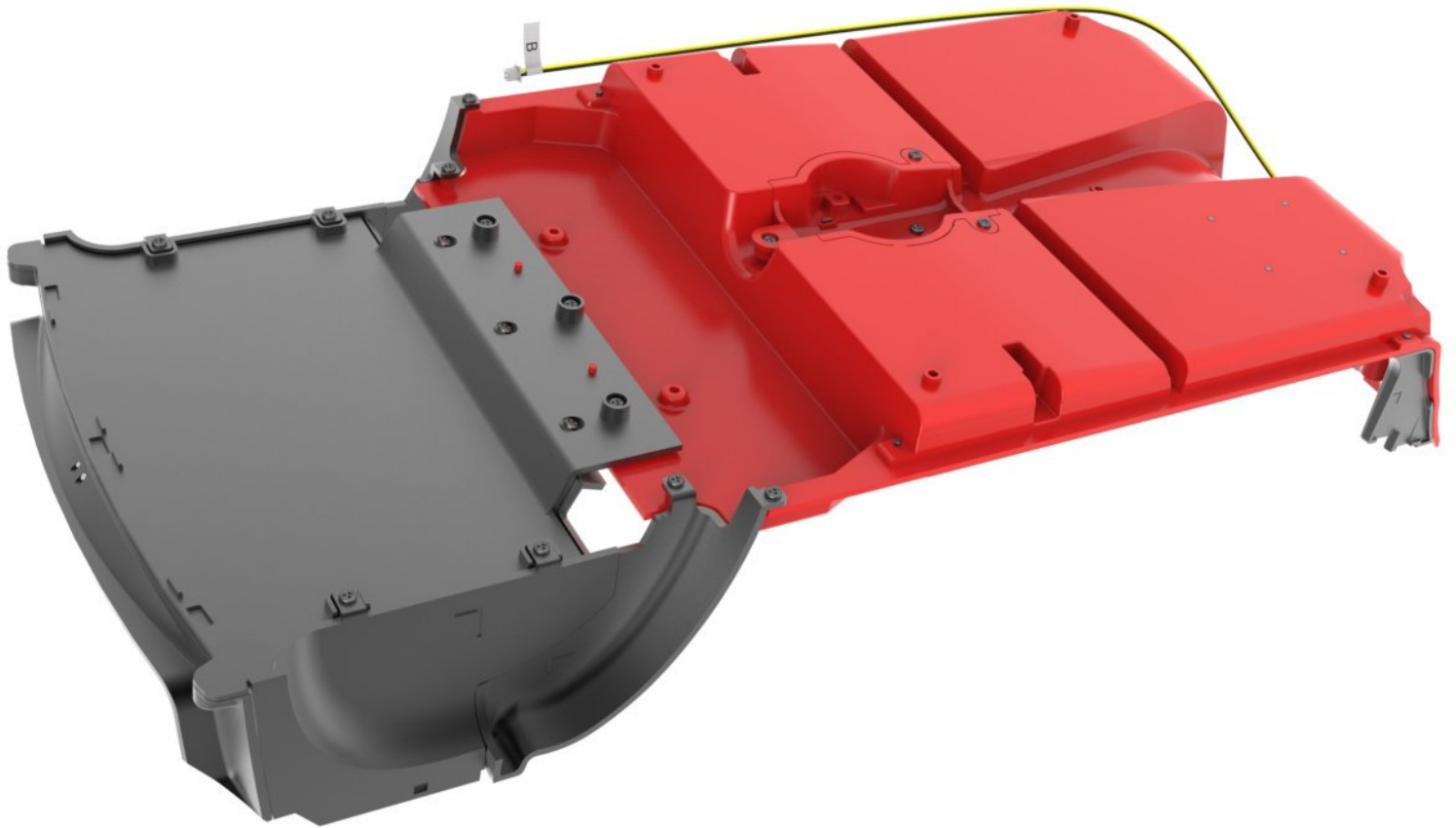
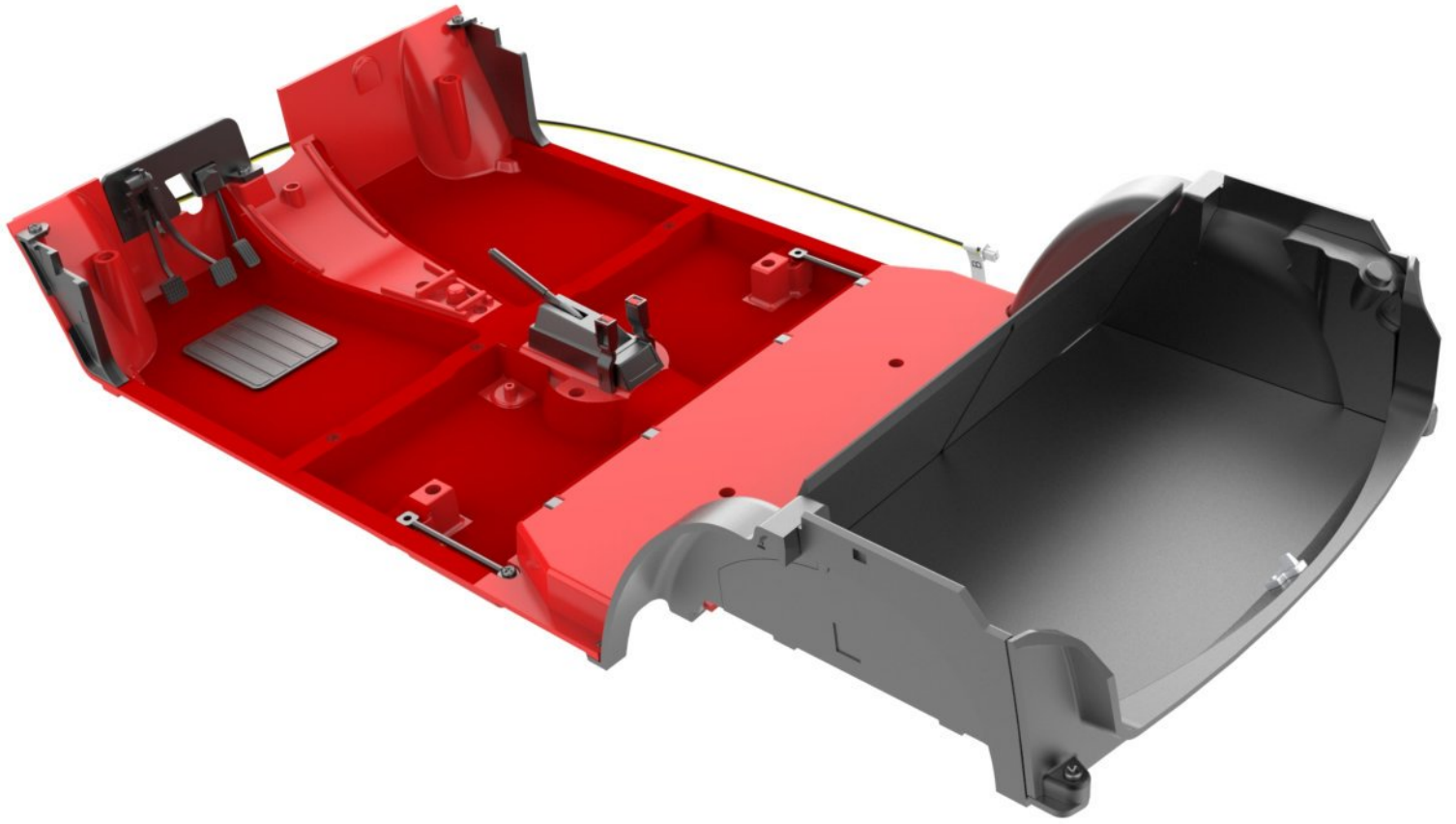
Fit **51A Rear seat backrest panel** to **50A Trunk floor** and fix with three **AP screws** .



Fit **50A Trunk floor** assembly to **45A Cabin floor** rear edge and fix with three **AP screws** .



Final views .



Assembly drawings .

