

52A



52B



52C



52D

TTTTTT



TTTT



52A Front left seat cushion

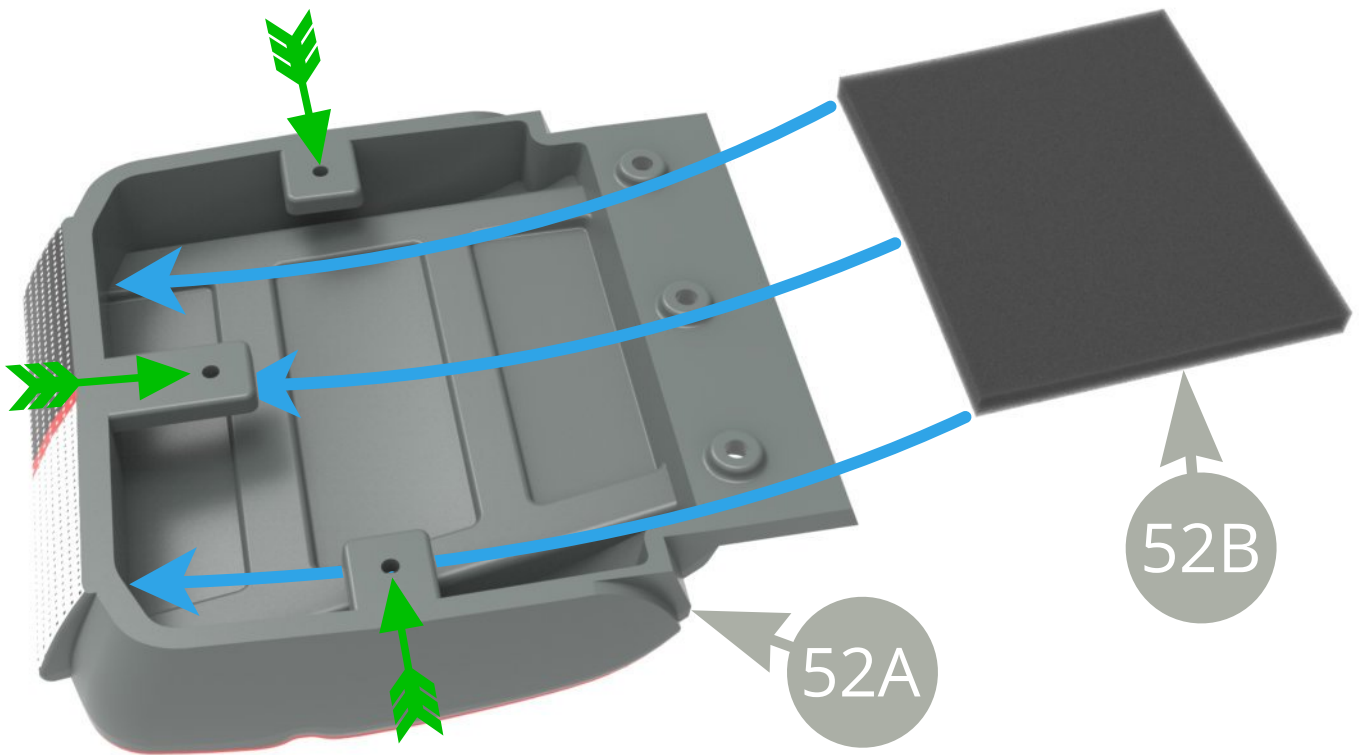
52B Cushion padding

52C Cushion panel

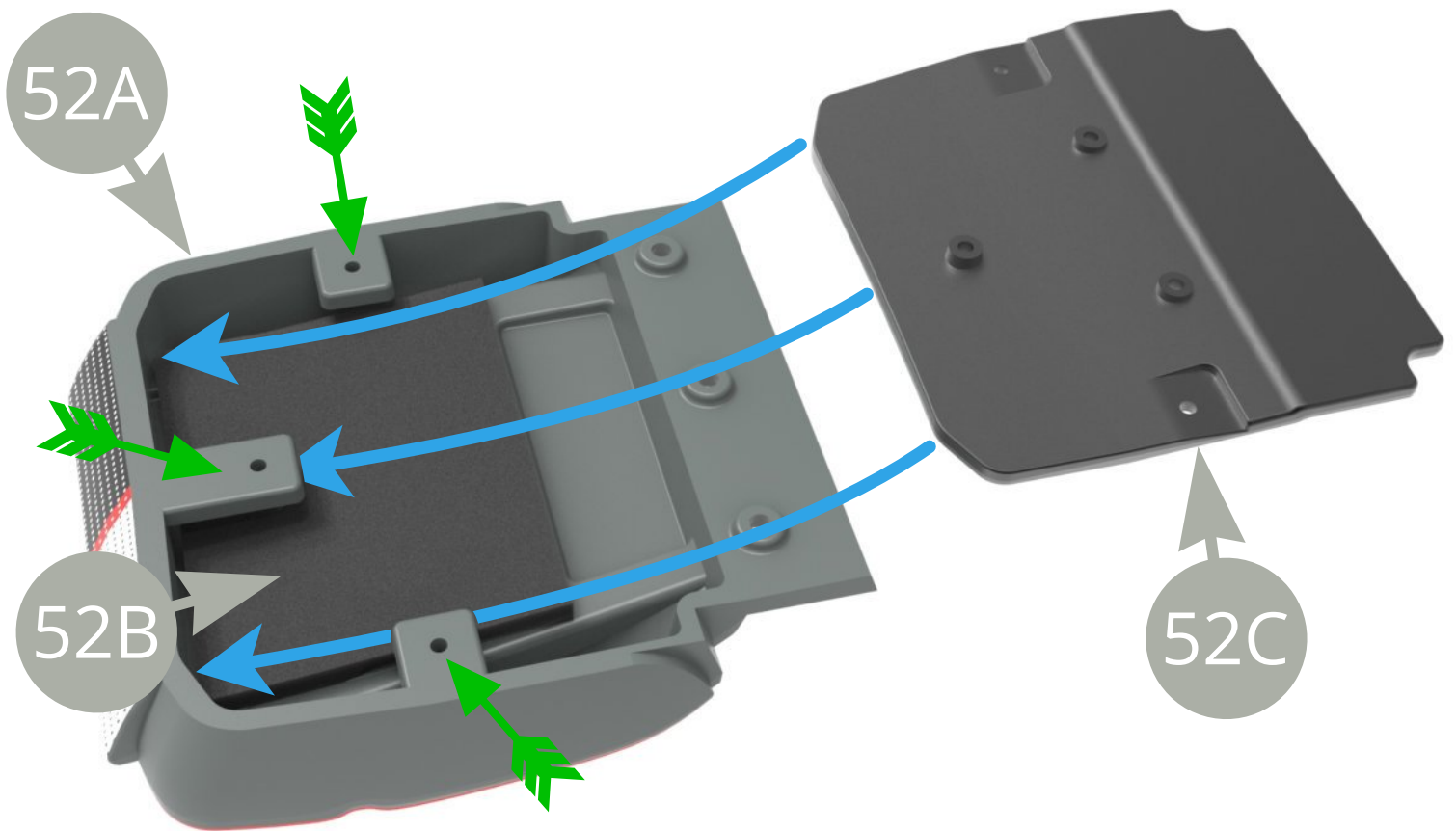
52D Front left seat base

CP M1,7 x5mm (x6)

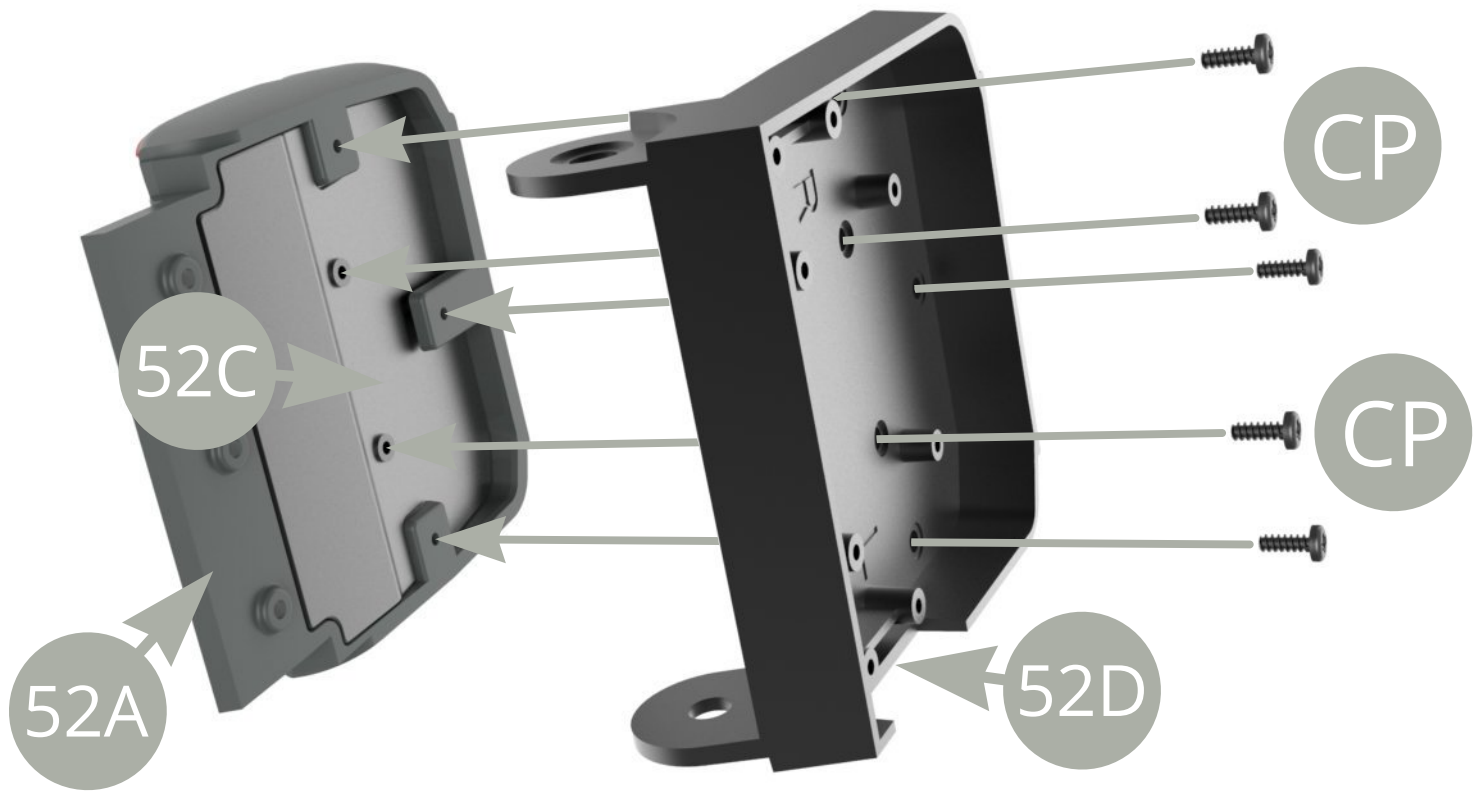
FP M2,0 x4x4mm (x4)



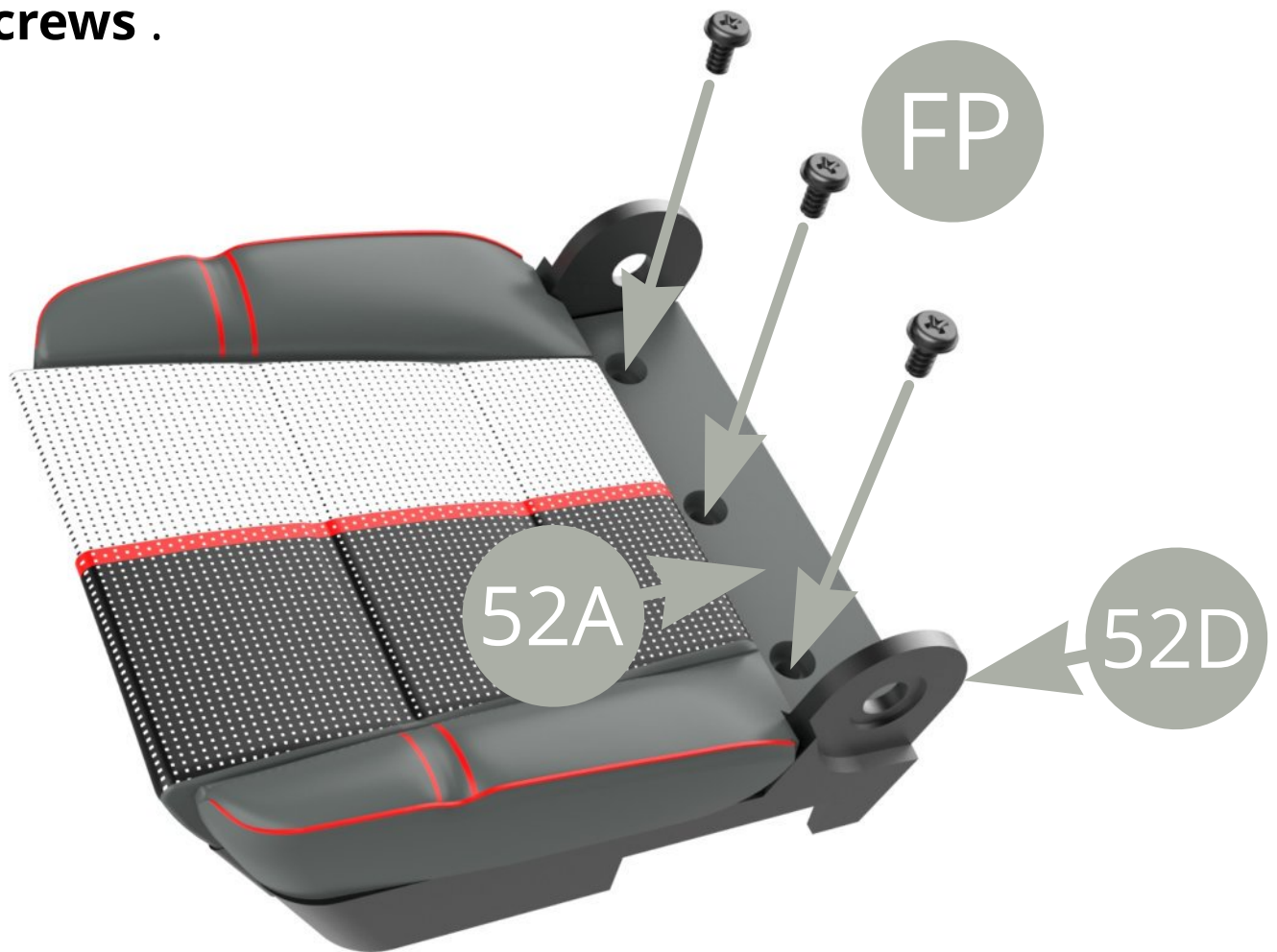
Slide **52B Cushion padding** foam into **52A Front left seat cushion** under three tabs pointed by **green arrows** .



Slide **52C Cushion panel** into **52A Front left seat cushion** , on top of **52B Cushion padding** and under three tabs pointed by **green arrows** .

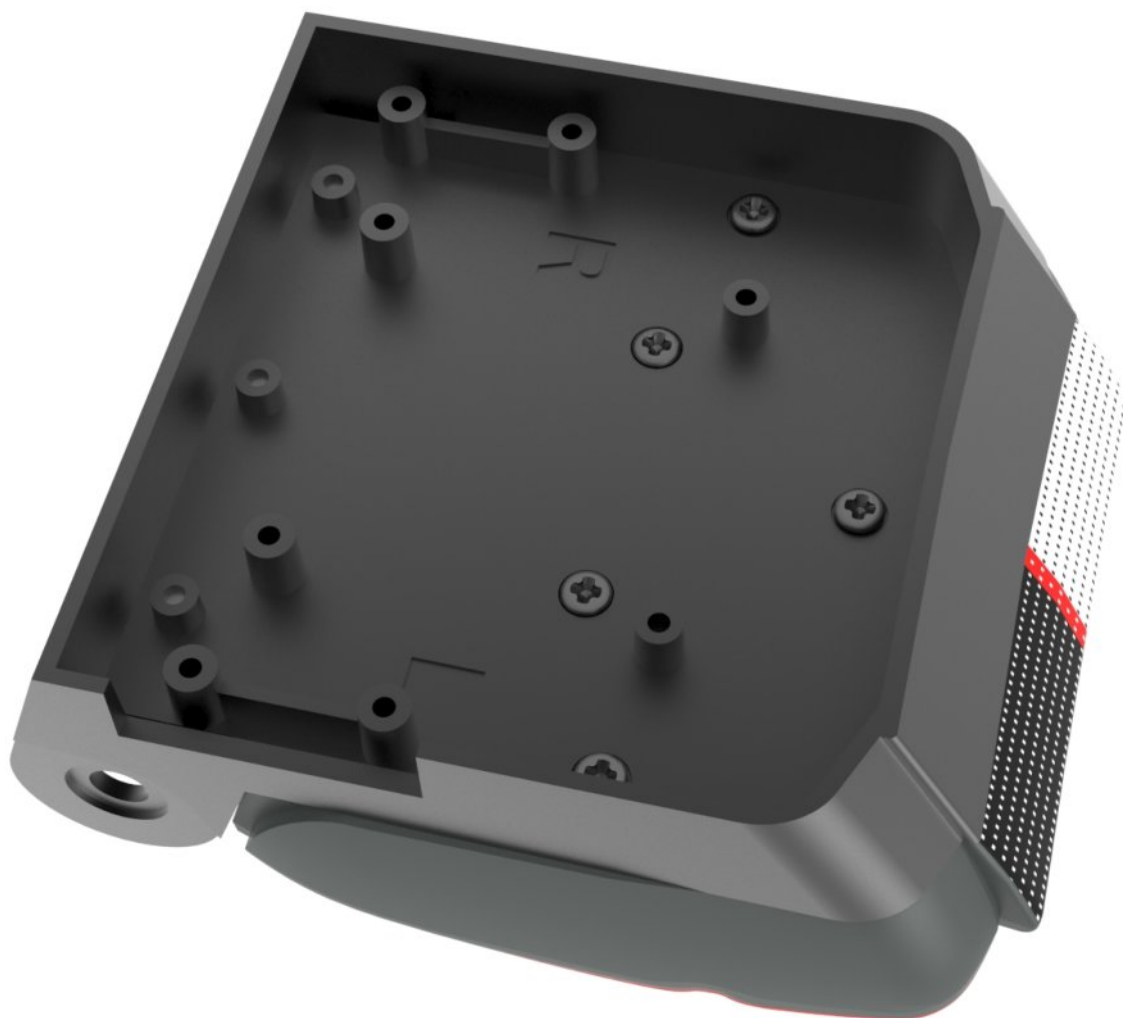
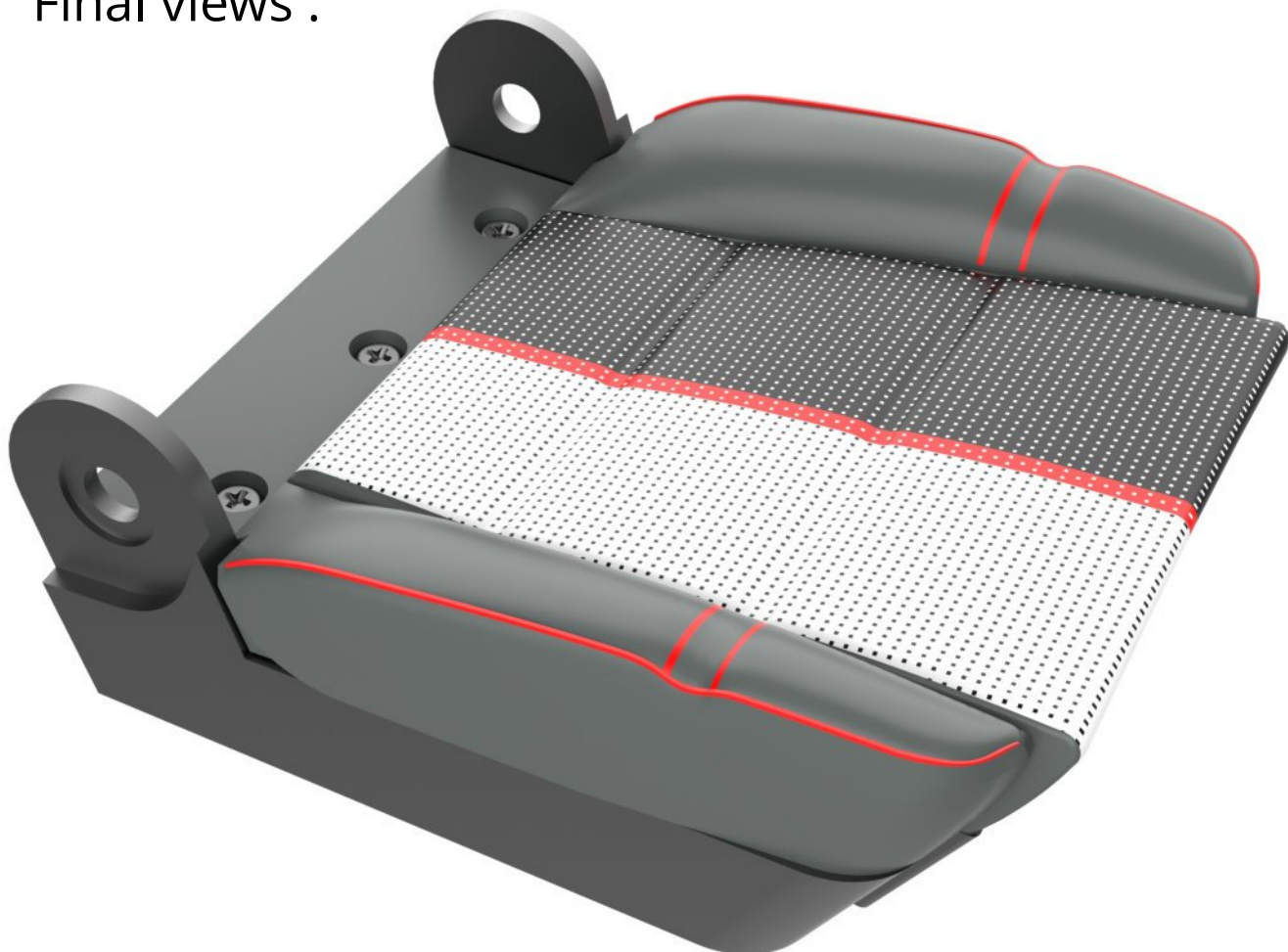


Fit **52D Front left seat base** to **52A Front left seat cushion** with **52C Cushion panel** , and fix to the latter with five **CP screws** .



Fix **52A Front left seat cushion** to **52D Front left seat base** with three **FP screws** .

Final views .



Assembly drawing .

