



53A Front left seat backrest

53B Backrest padding

53C Backrest inner panel

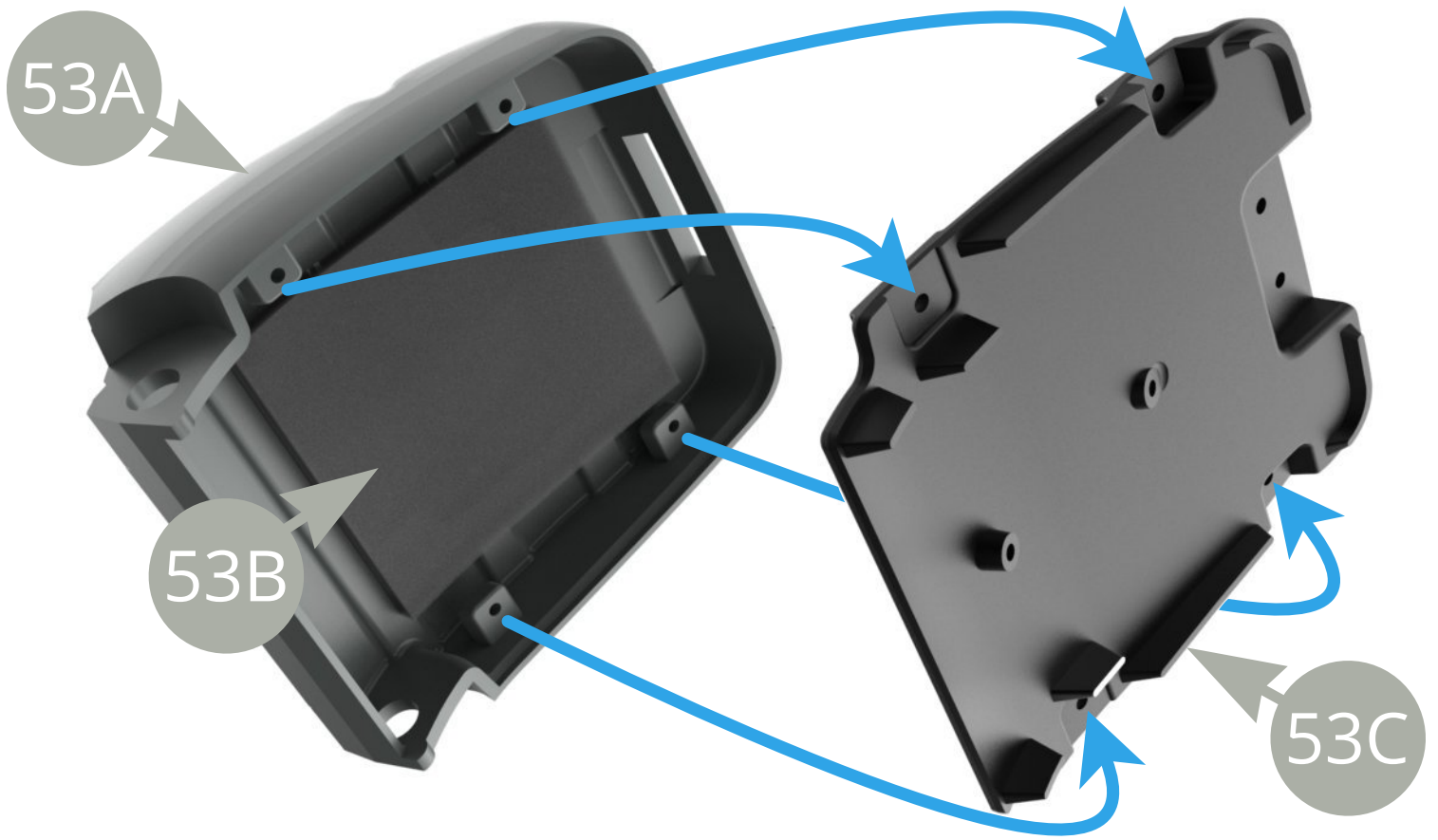
53D Backrest outer panel

53E Headrest front

53F Headrest back

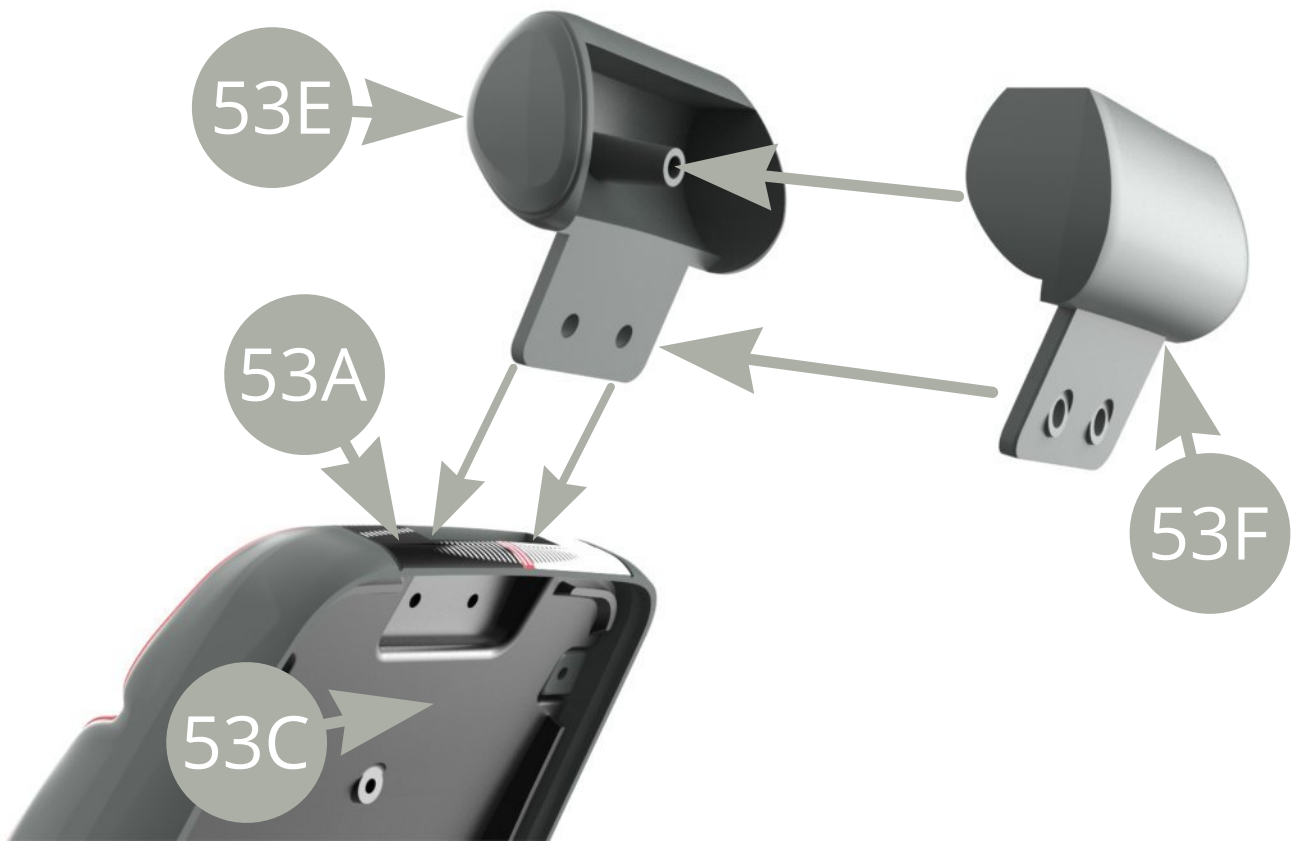
53G Roundel stickers (x8)

CP M1,7 x5mm (x10)



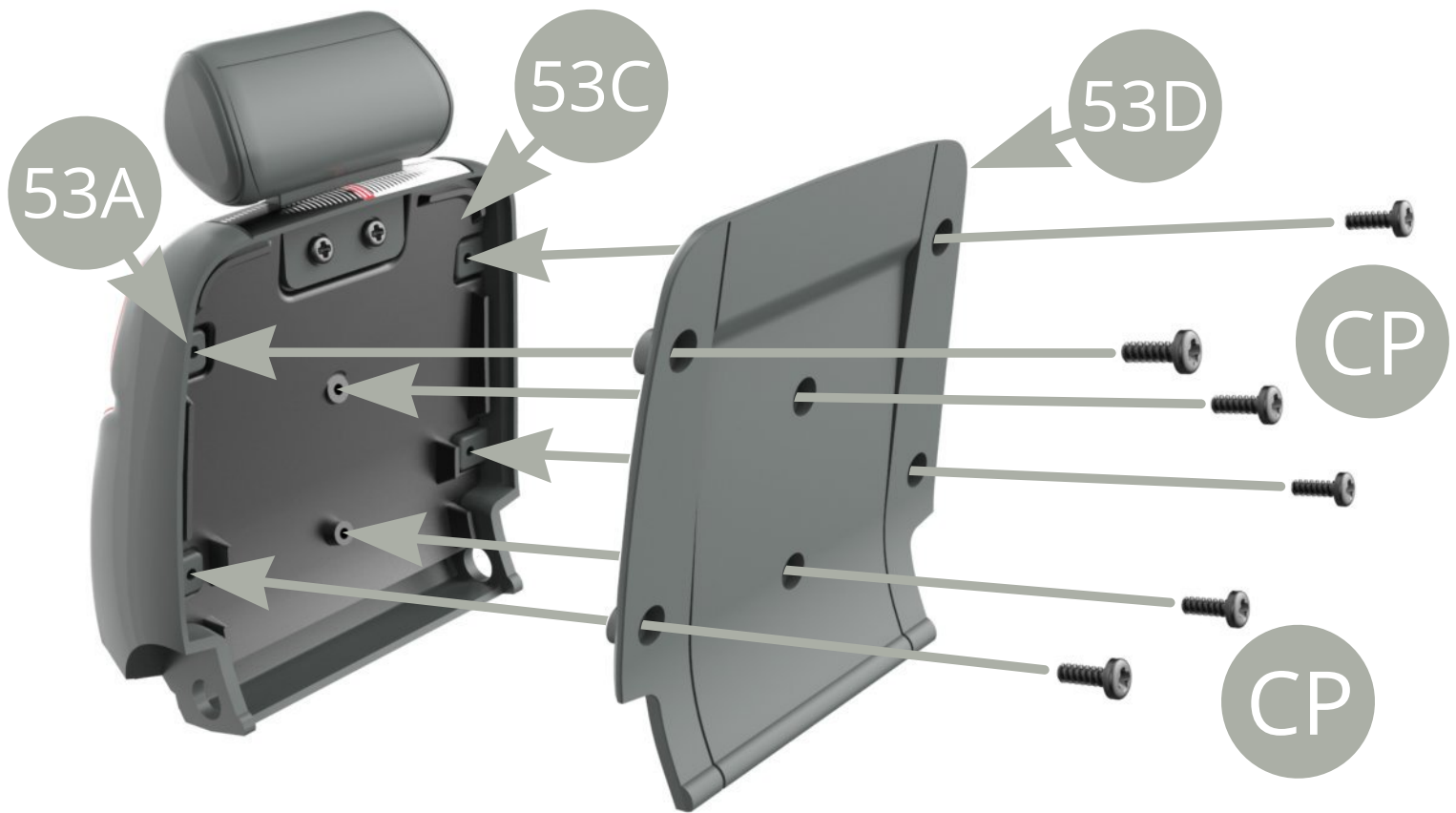
Fit **53B Backrest padding** into **53A Front left seat backrest** .
Fit **53C Backrest inner panel** on top of **53B Backrest padding** ,
and into **53A Front left seat backrest** with its four tabs .
going over **53C Backrest inner panel** as **blue arrows** show .



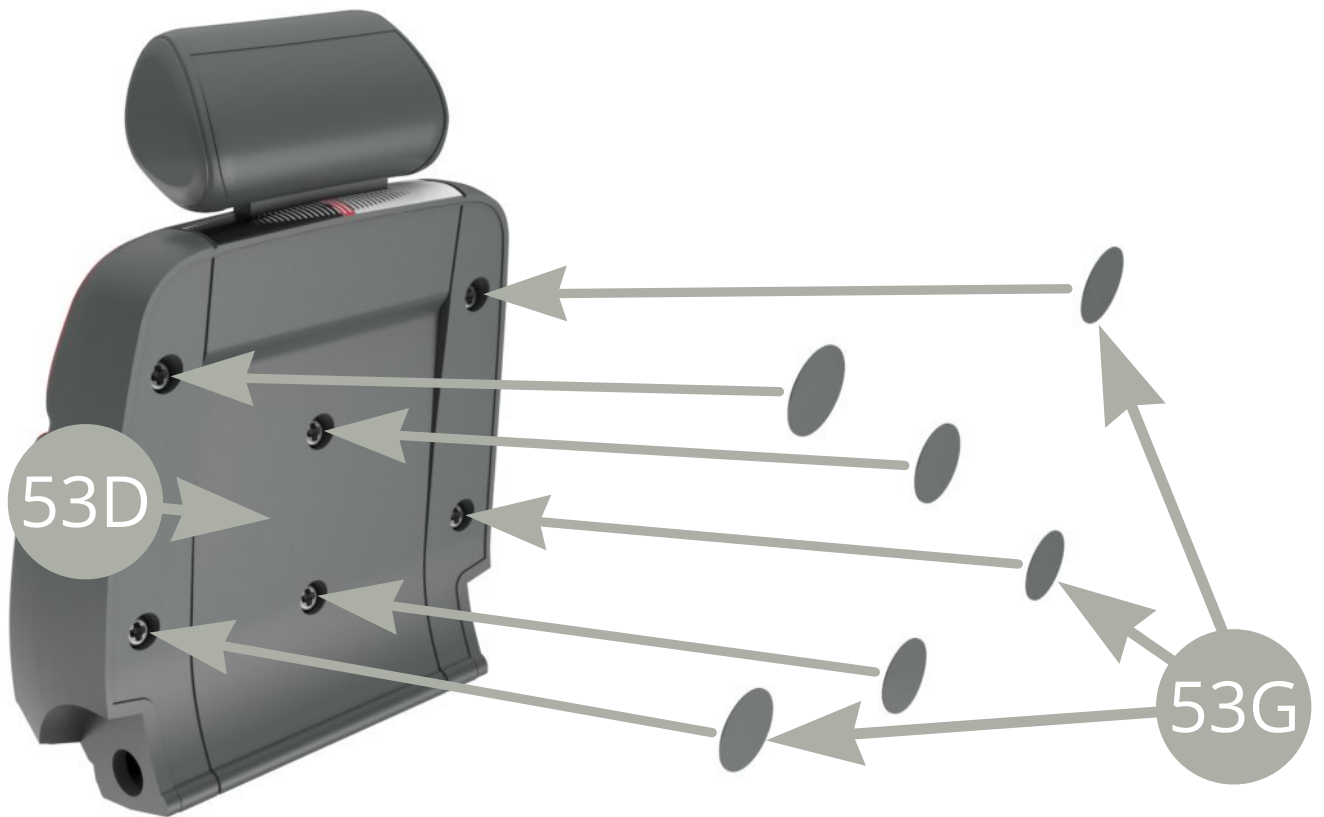


Fit together **53E Headrest front** and **53F Headrest back** parts and insert their lower tabs into **53A Front left seat backrest** top slot , fixing the inserted tabs with two **CP screws** to **53C Backrest inner panel** (illustration below) .



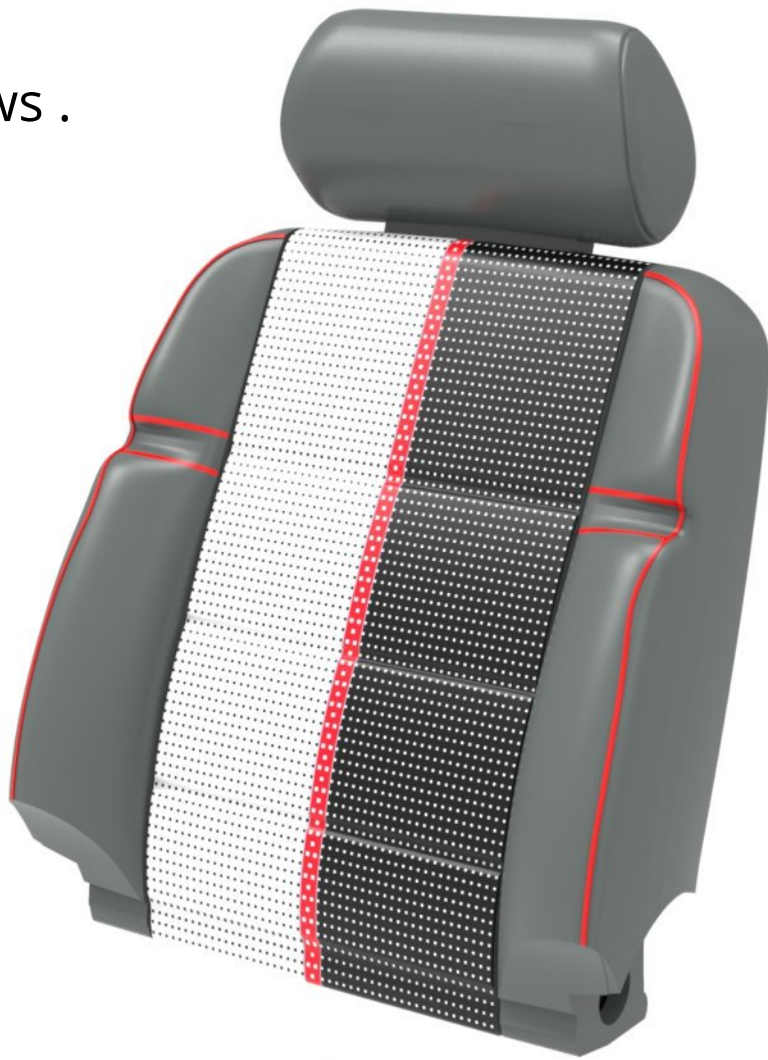


Fit **53D Backrest outer panel** to **53C Backrest inner panel** and fix with six **CP screws** .



One by one , peel off backing paper **53G Roundel stickers** , and apply them over six screw head niches on **53D Backrest outer panel** .

Final views .



Assembly drawing .

