



54A



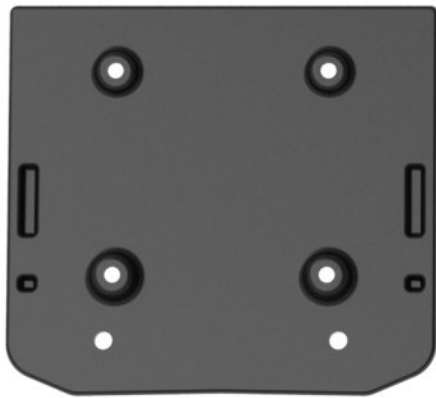
54B



54C



54D



54E



54F



54G



AP



EP

54A Backrest adjustment wheel ( x2 )

54B Axle

54C Seat base side panel

54D Seat lifting lever

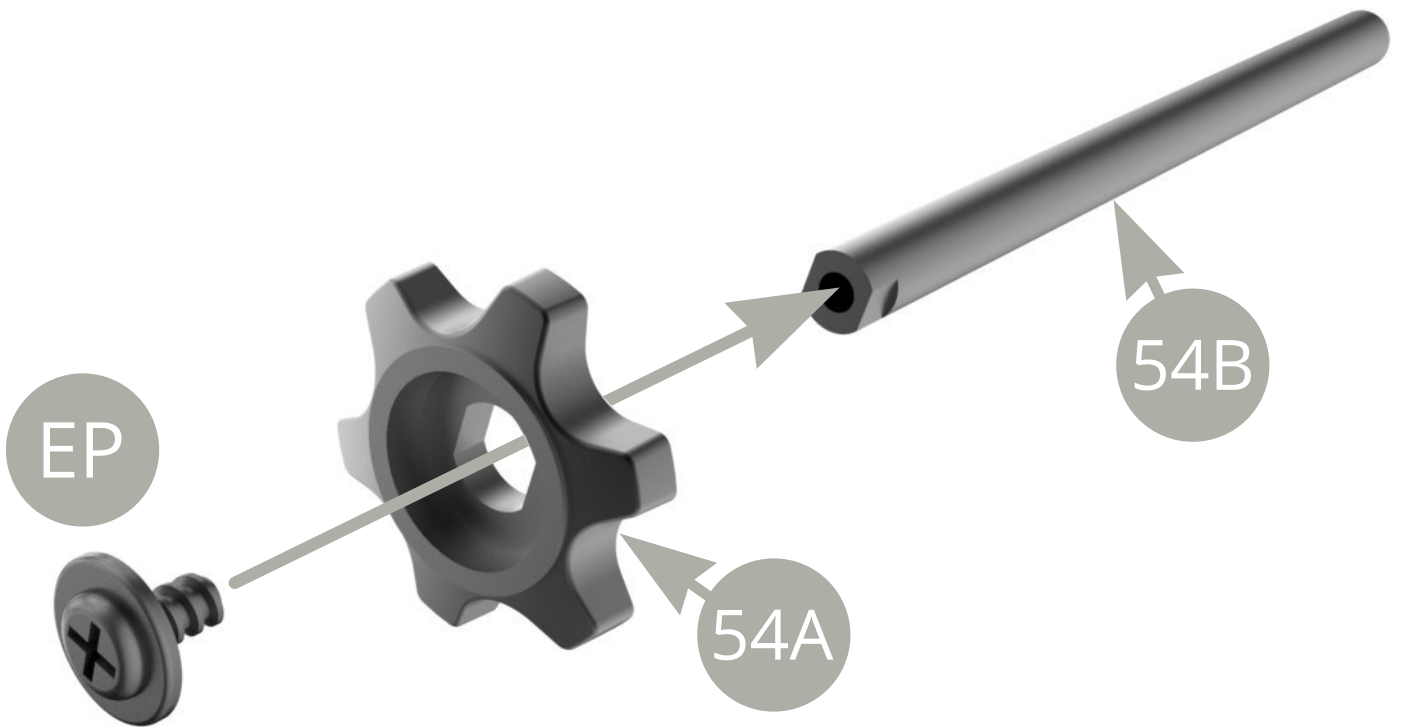
54E Seat base bottom panel

54F Fore and aft adjustment lever

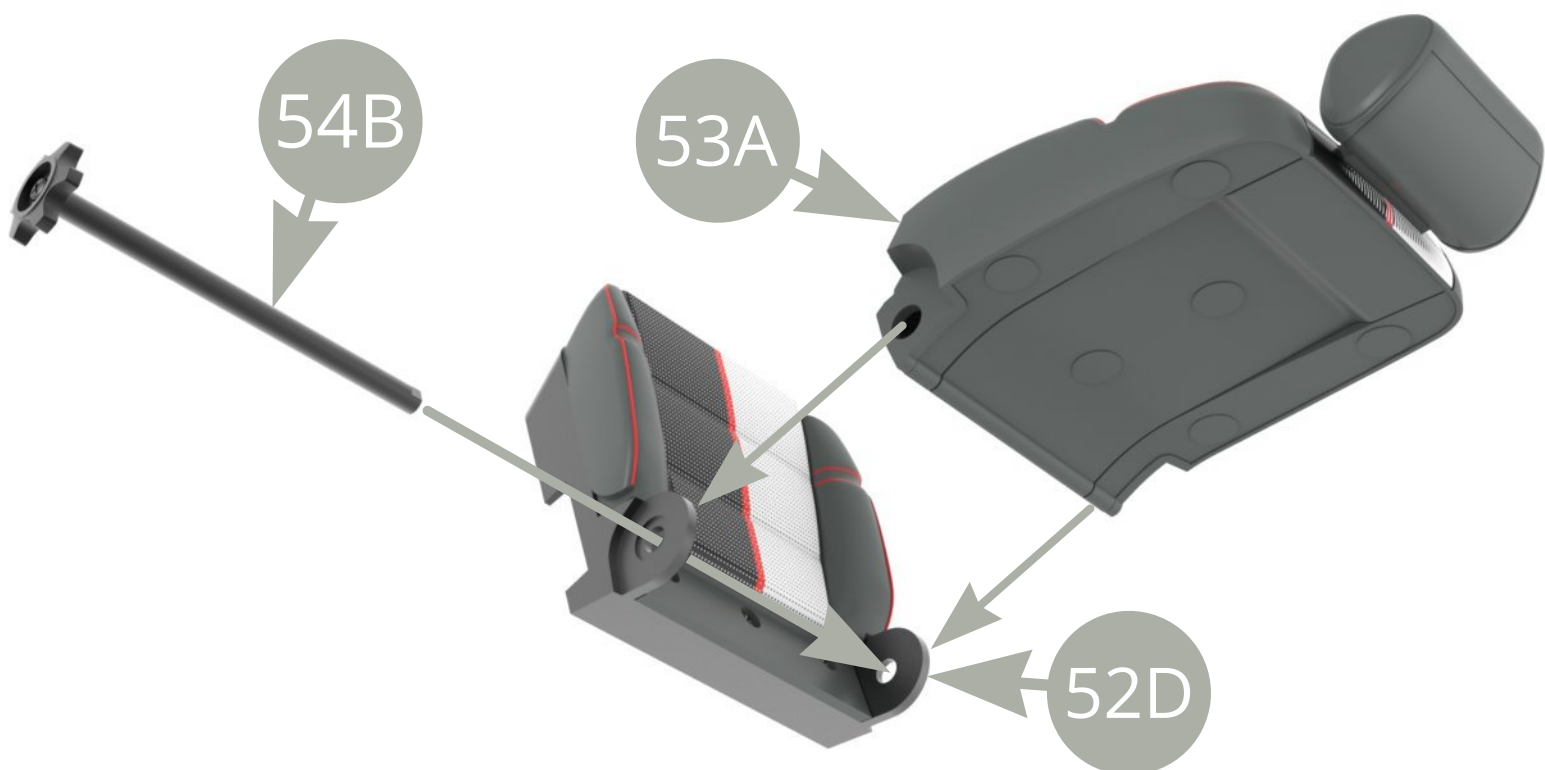
54G Fore and aft slide rails ( x2 )

AP M1,7 x4mm ( x10 )

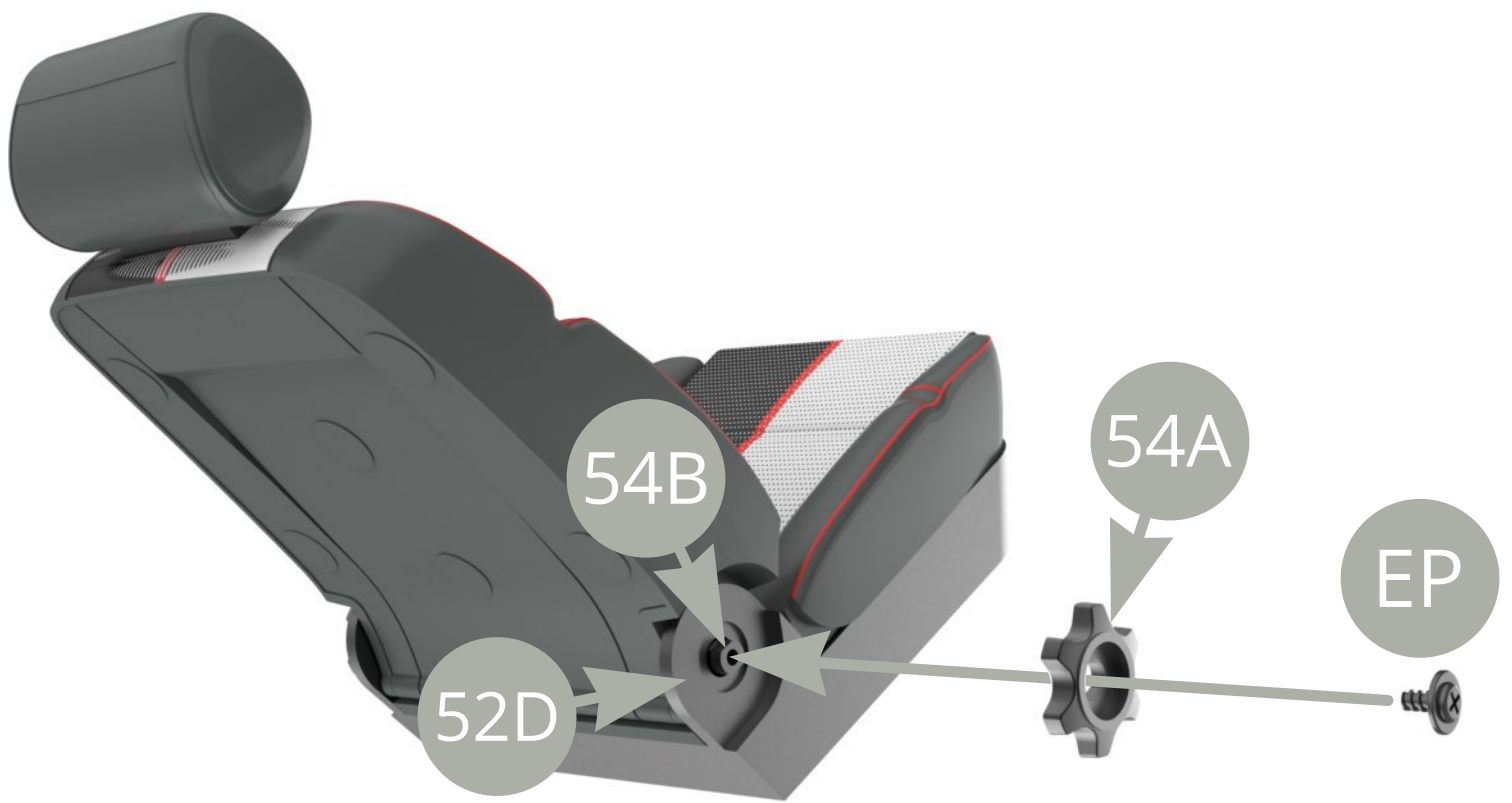
EP M1,7 x3x5mm ( x7 )



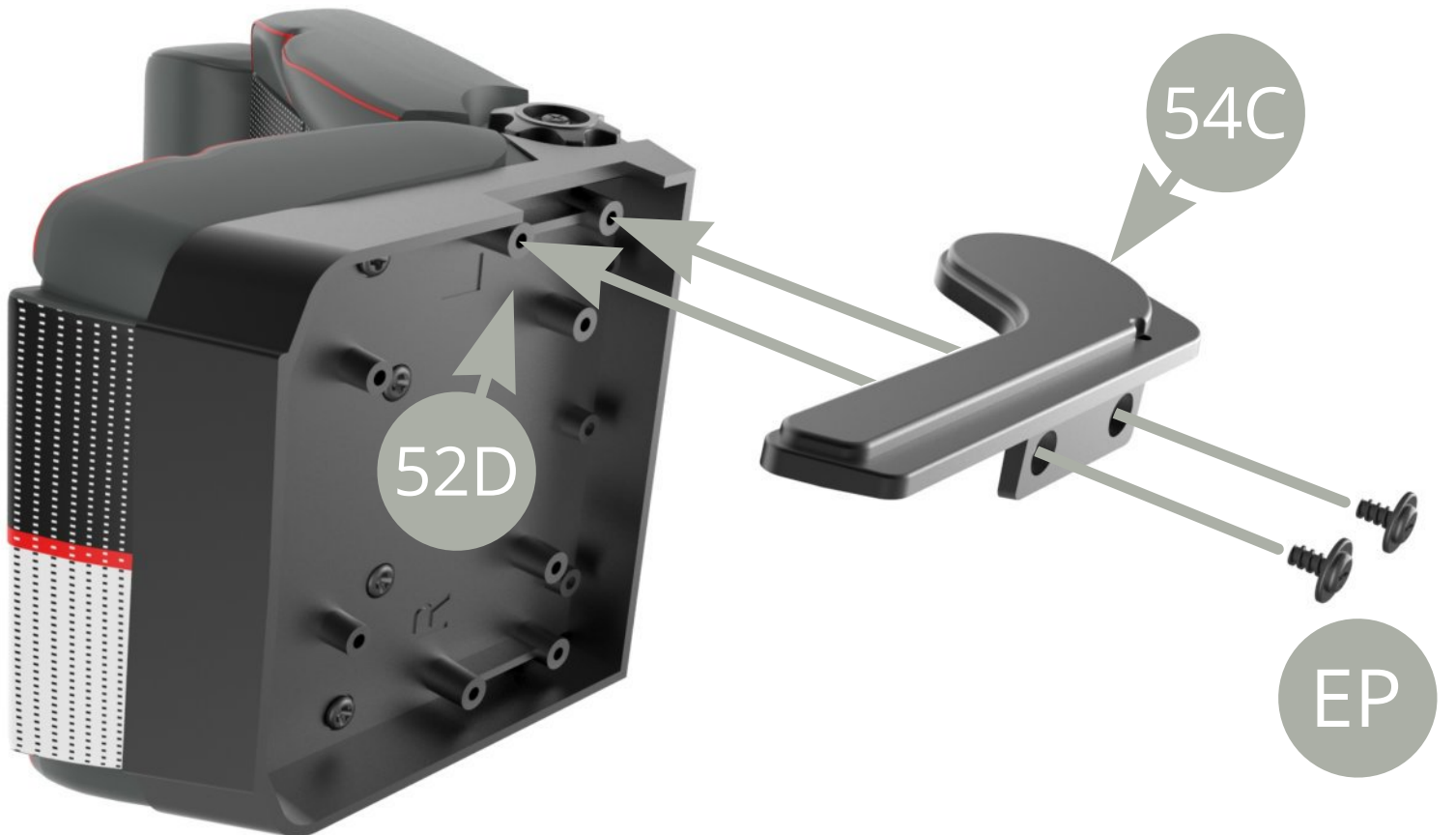
Fit **54A Backrest adjustment wheel** to any end of **54B Axle** and fix with **EP screw** .



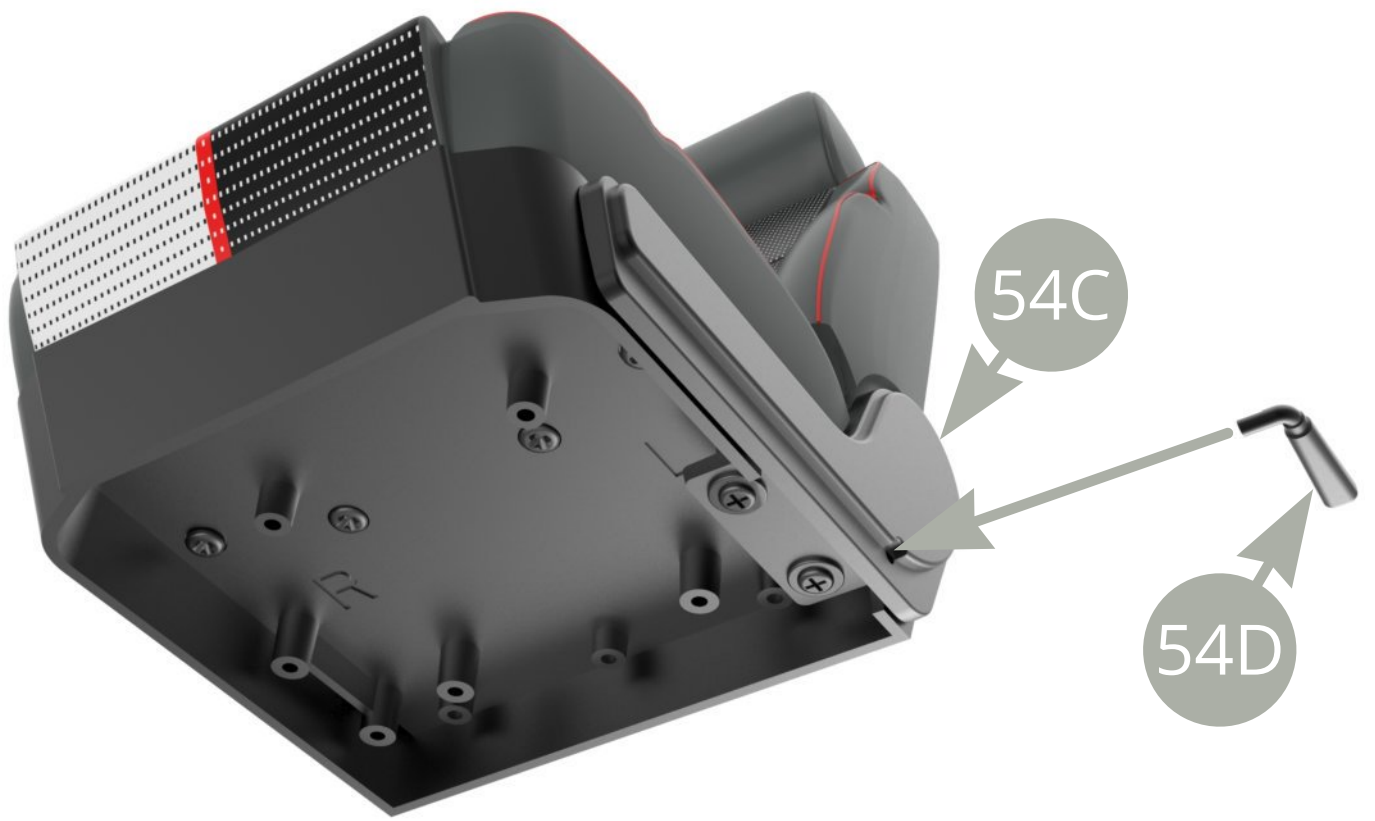
Align **53A Backrest** lower side holes to **52D Seat base brackets** and lock them together by passing **54B Axle** .



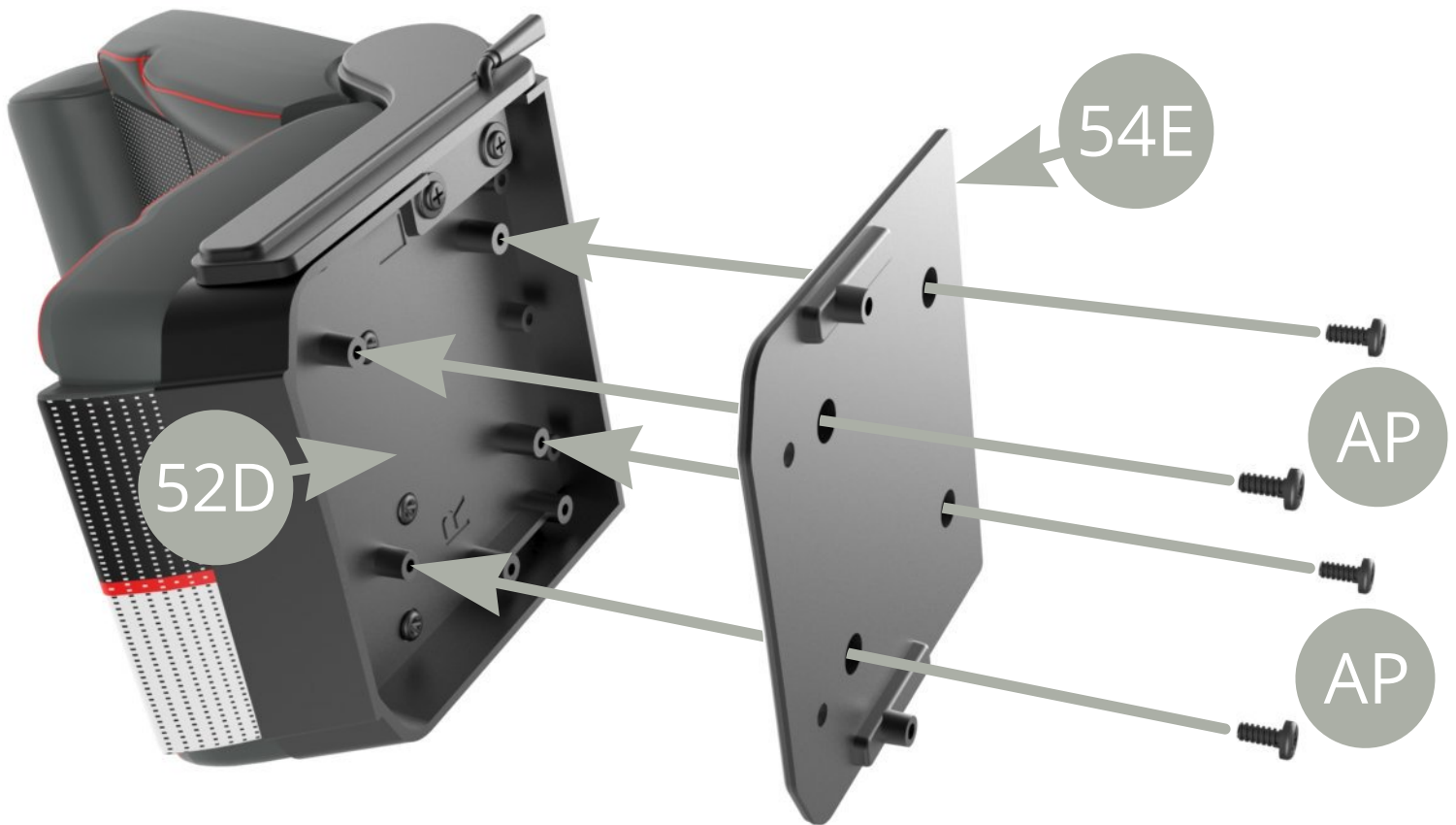
Fit **54A Backrest adjustment wheel** to the other end of **54B Axle** and fix with **EP screw** .



Fit **54C Seat base side panel** to **52D Seat base** and fix with two **EP screws** .



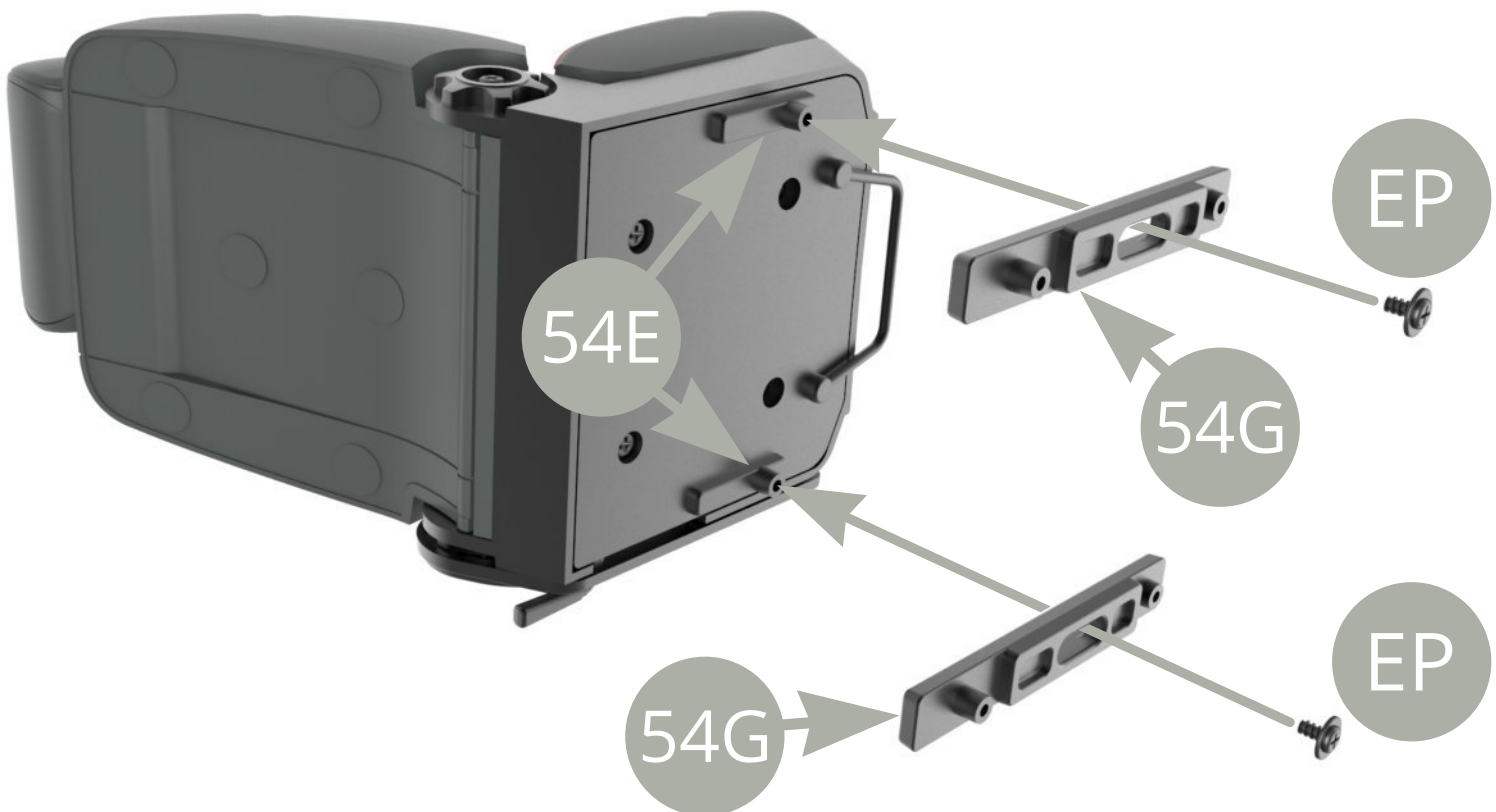
Fit **54D** Seat lifting lever to **54C** Seat base side panel .



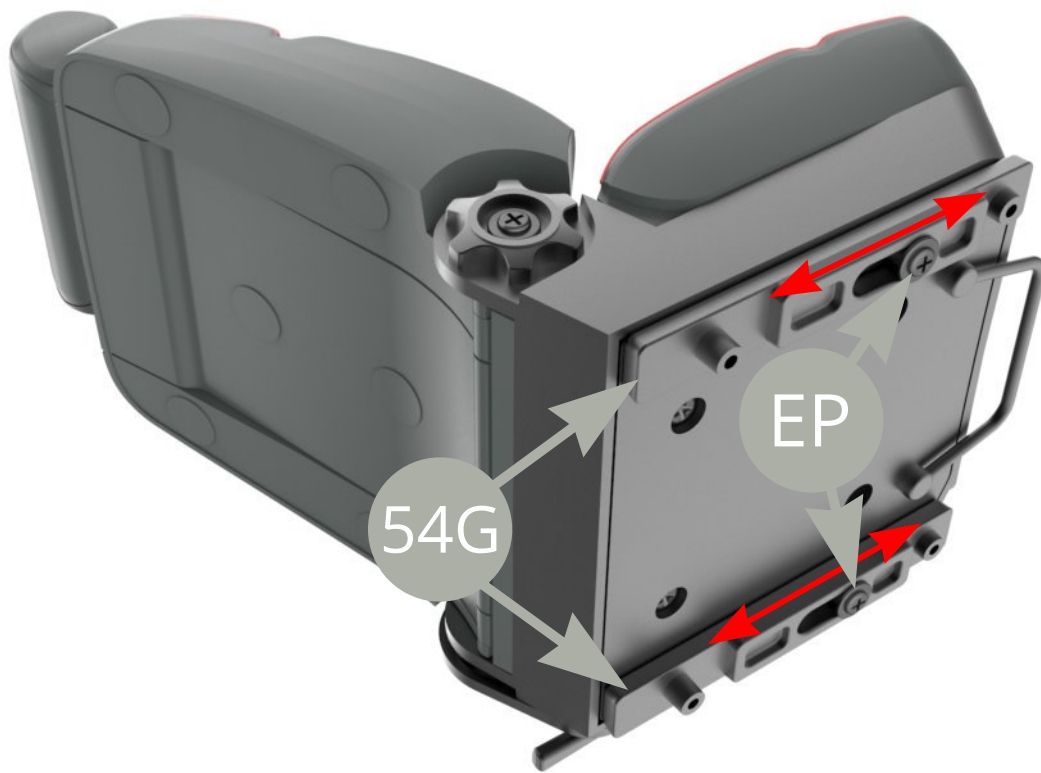
Fit **54E** Seat base bottom panel to **52D** Seat base and fix with four **AP** screws .



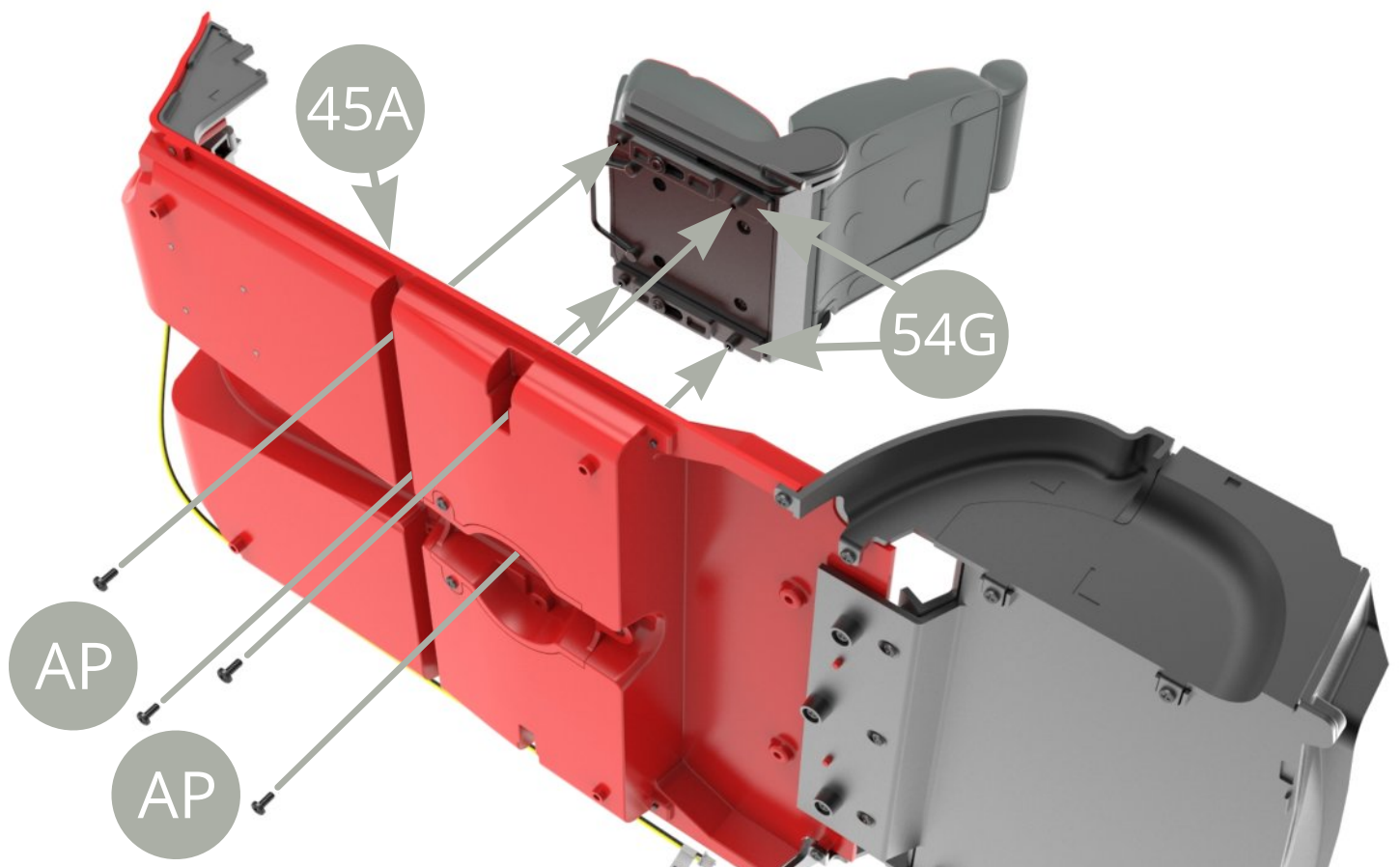
Fit **54F Fore and aft adjustment lever** to **54E Seat base bottom panel** .



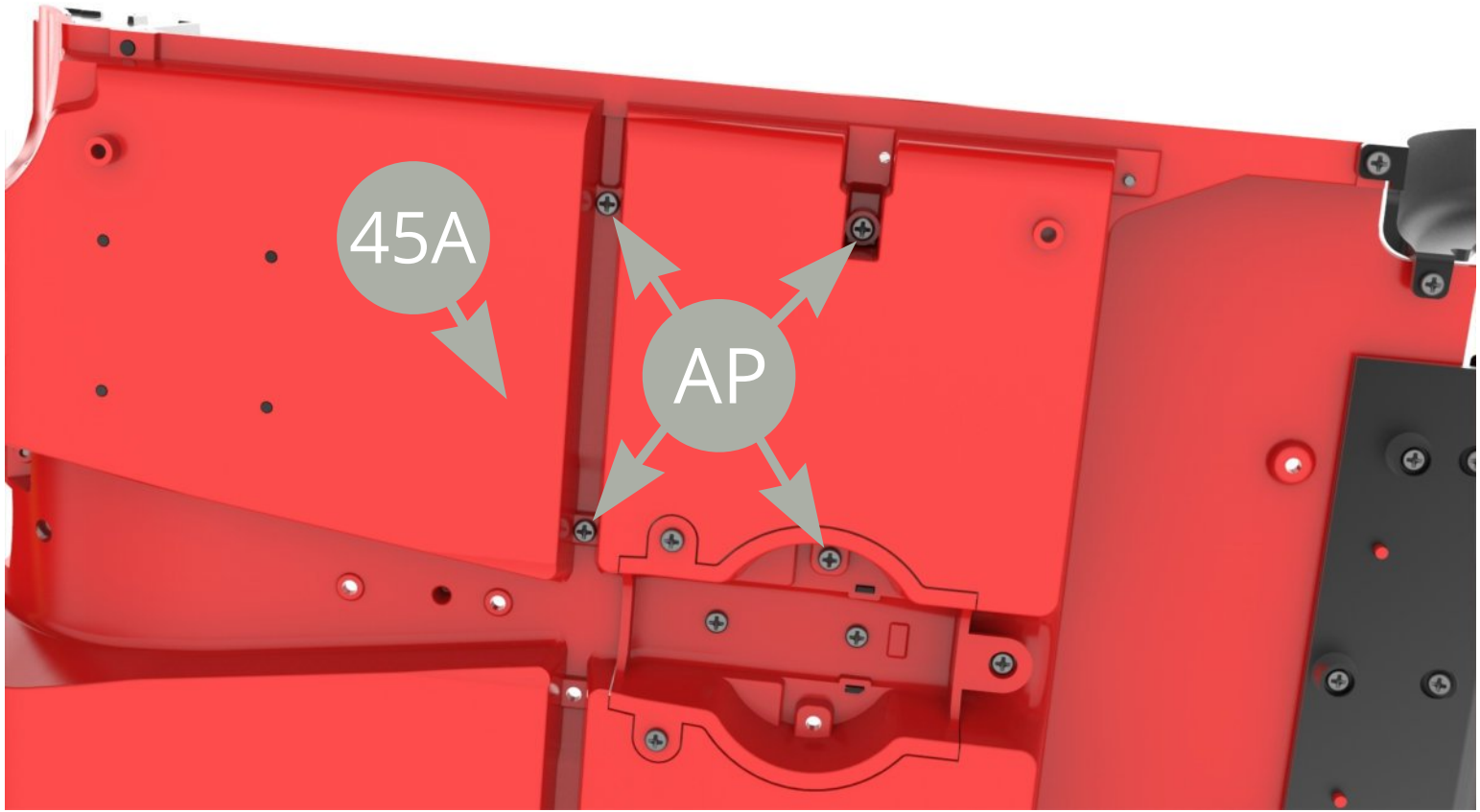
Fit two **54G Fore and aft slide rails** to embossed guides on **54E Seat base bottom panel** and fix each one with **EP screw** .



Adjust **EP screws** tension to allow **54G Rails** slide motion ( **red arrows** ).



Fit preassembled Left front seat by its two **54G Rails** to **45A Cabin floor** and fix with four **AP screws** ( upper and next illustrations ).

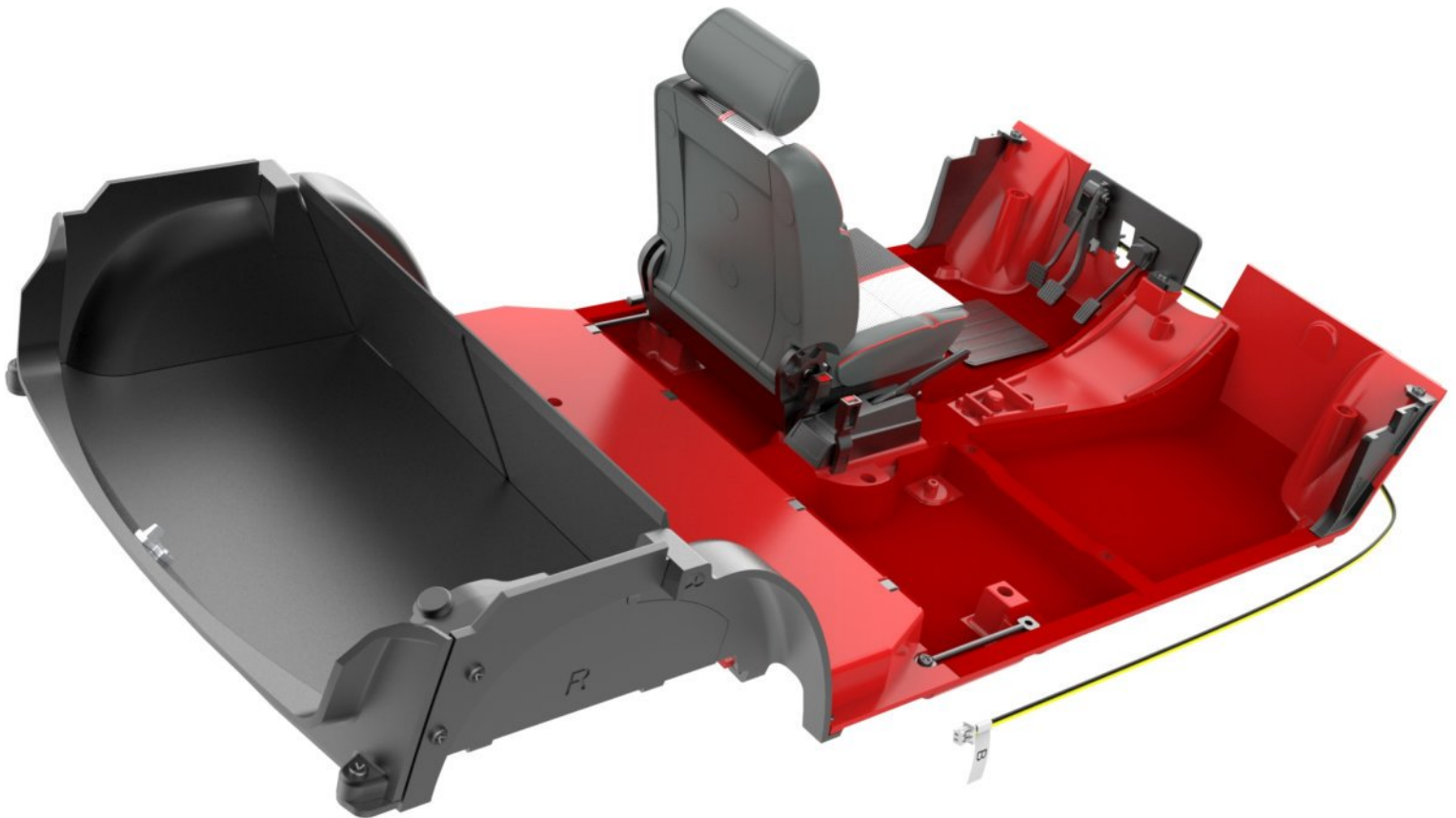


Front left seat four **AP** attachment **screws** .



Front left seat installed .

Final views .





Assembly drawings .

