



56A Front right seat backrest

56B Backrest padding

56C Backrest inner panel

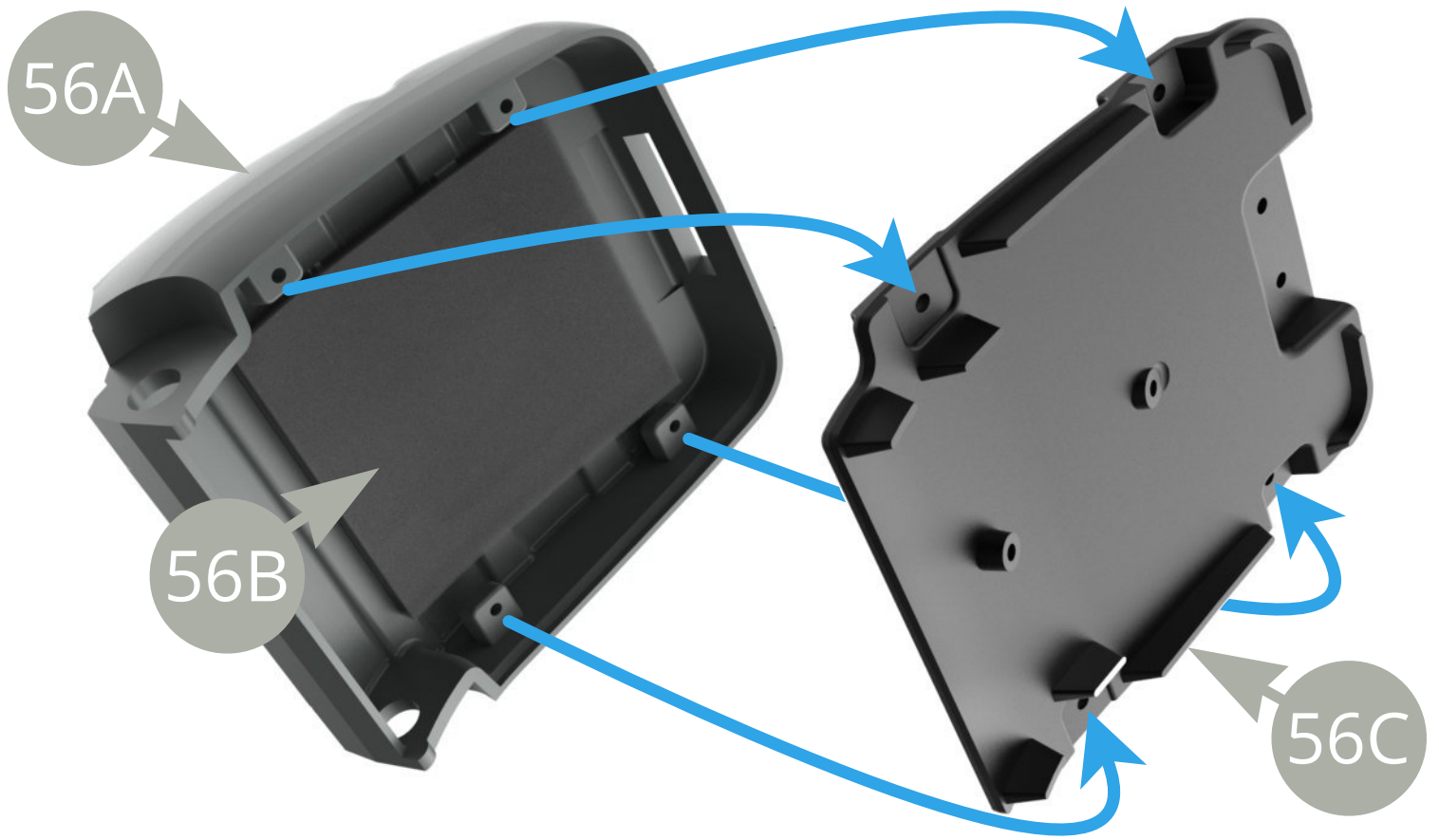
56D Backrest outer panel

56E Headrest front

56F Headrest back

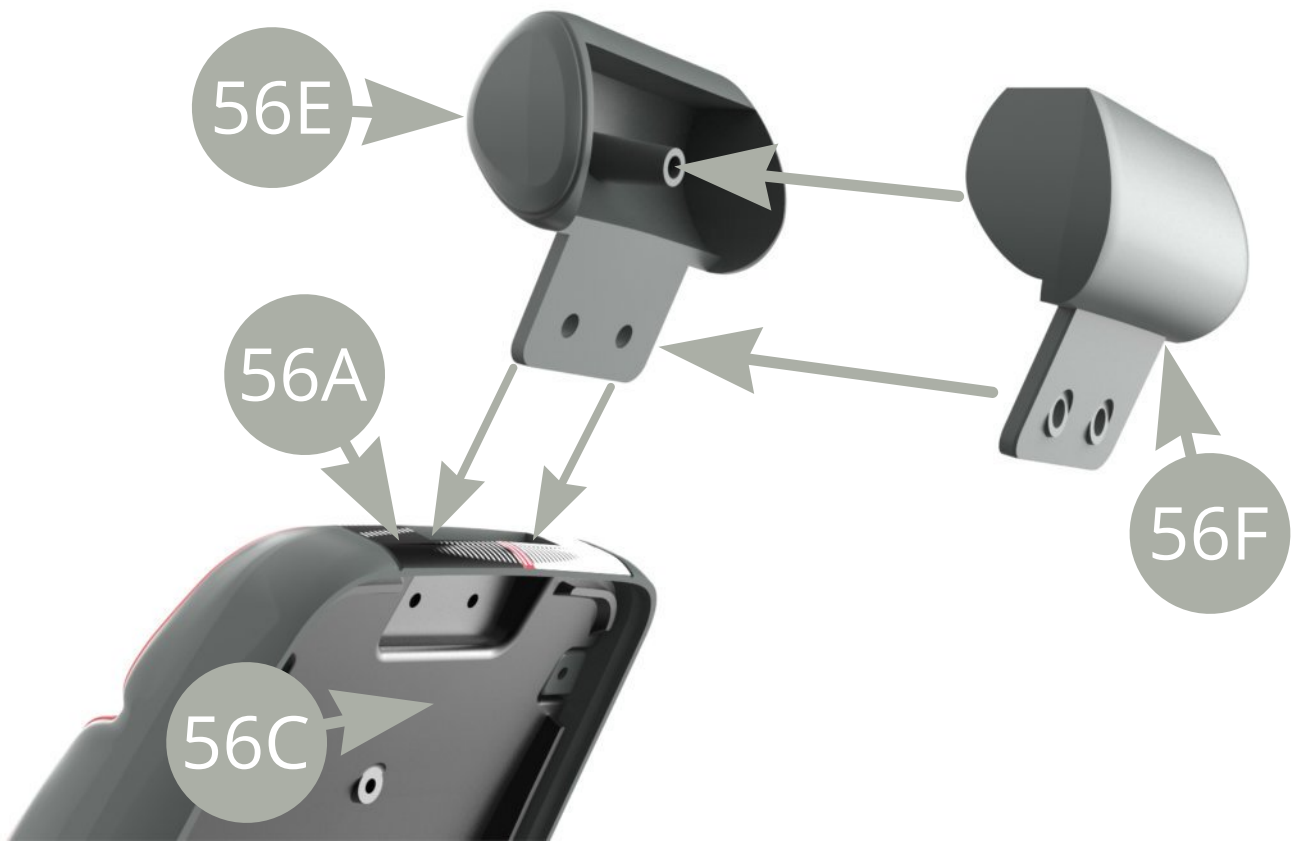
56G Roundel stickers (x8)

CP M1,7 x5mm (x10)



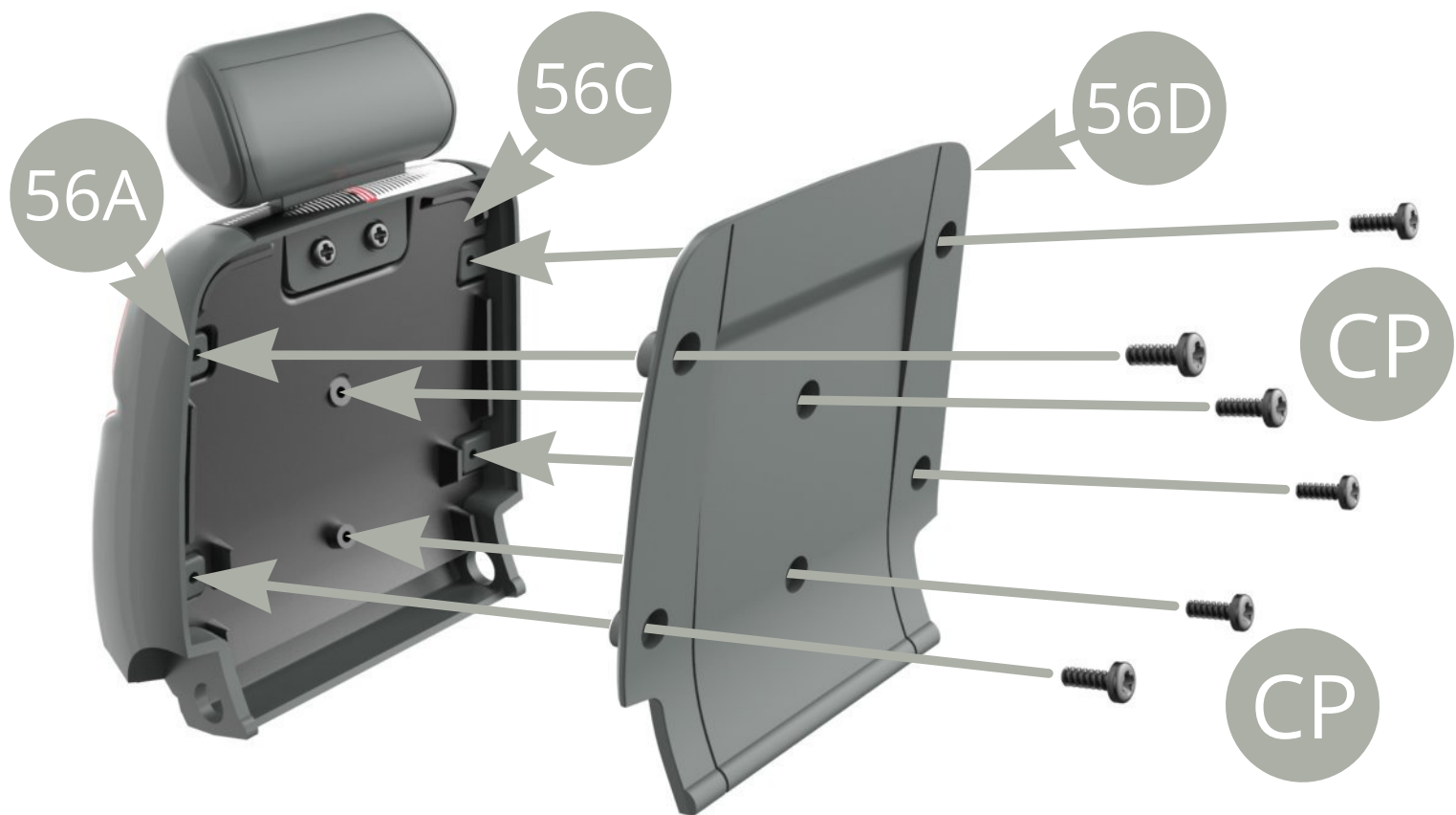
Fit **56B Backrest padding** into **56A Front right seat backrest** .
Fit **56C Backrest inner panel** on top of **56B Backrest padding** ,
and into **56A Front right seat backrest** with its four tabs .
going over **56C Backrest inner panel** as **blue arrows** show .



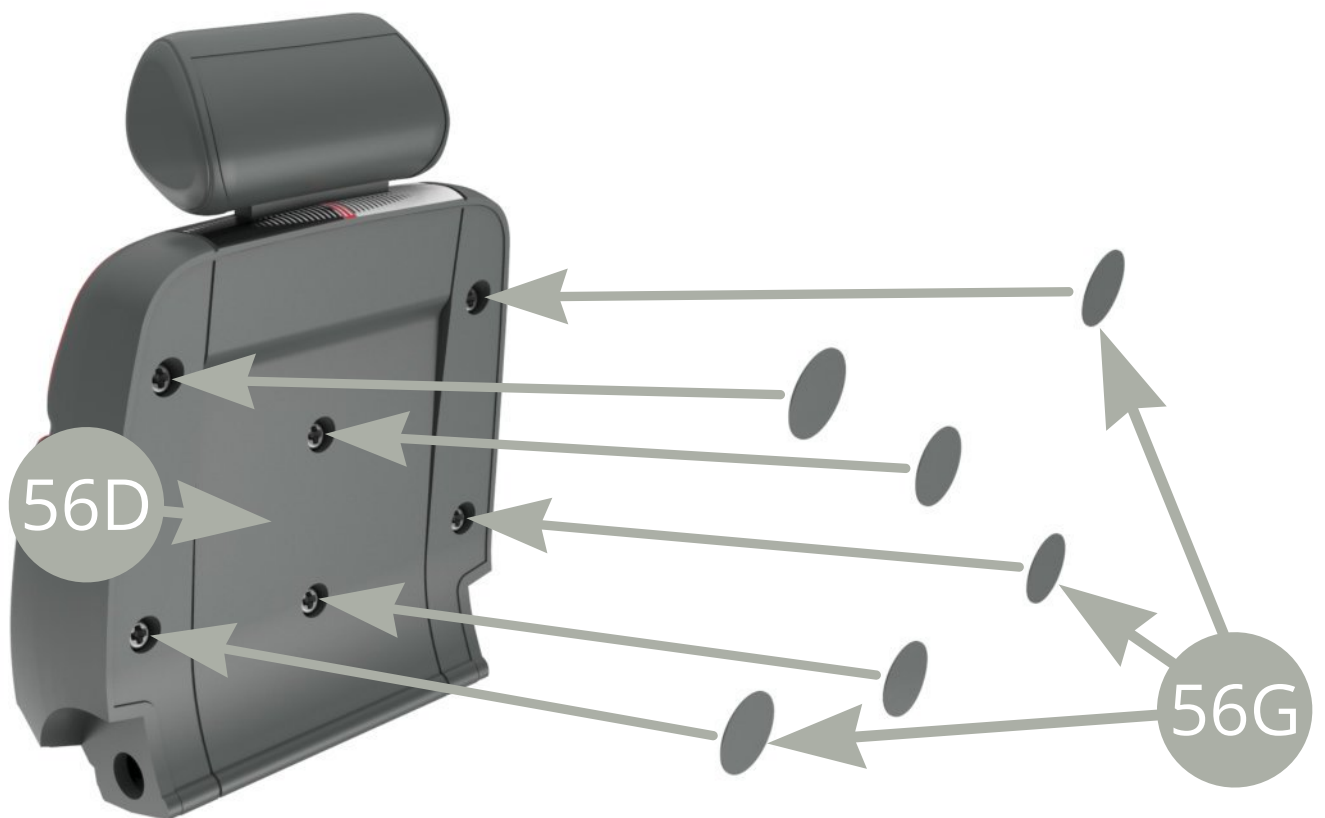


Fit together **56E Headrest front** and **56F Headrest back** parts and insert their lower tabs into **56A Front right seat backrest** top slot , fixing the inserted tabs with two **CP screws** to **56C Backrest inner panel** (illustration below) .



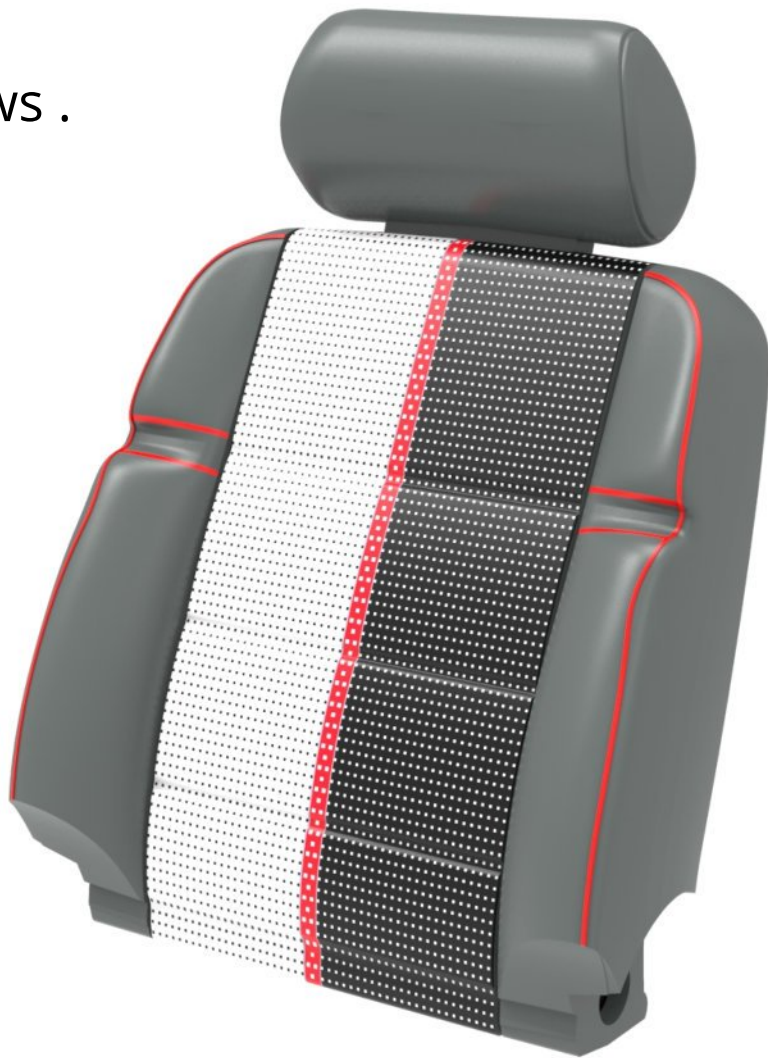


Fit **56D Backrest outer panel** to **56C Backrest inner panel** and fix with six **CP screws** .



One by one , peel off backing paper **56G Roundel stickers** , and apply them over six screw head niches on **56D Backrest outer panel** .

Final views .



Assembly drawing .

