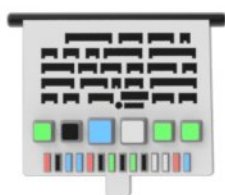
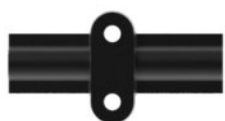


62A



62B



62C



AP



AM

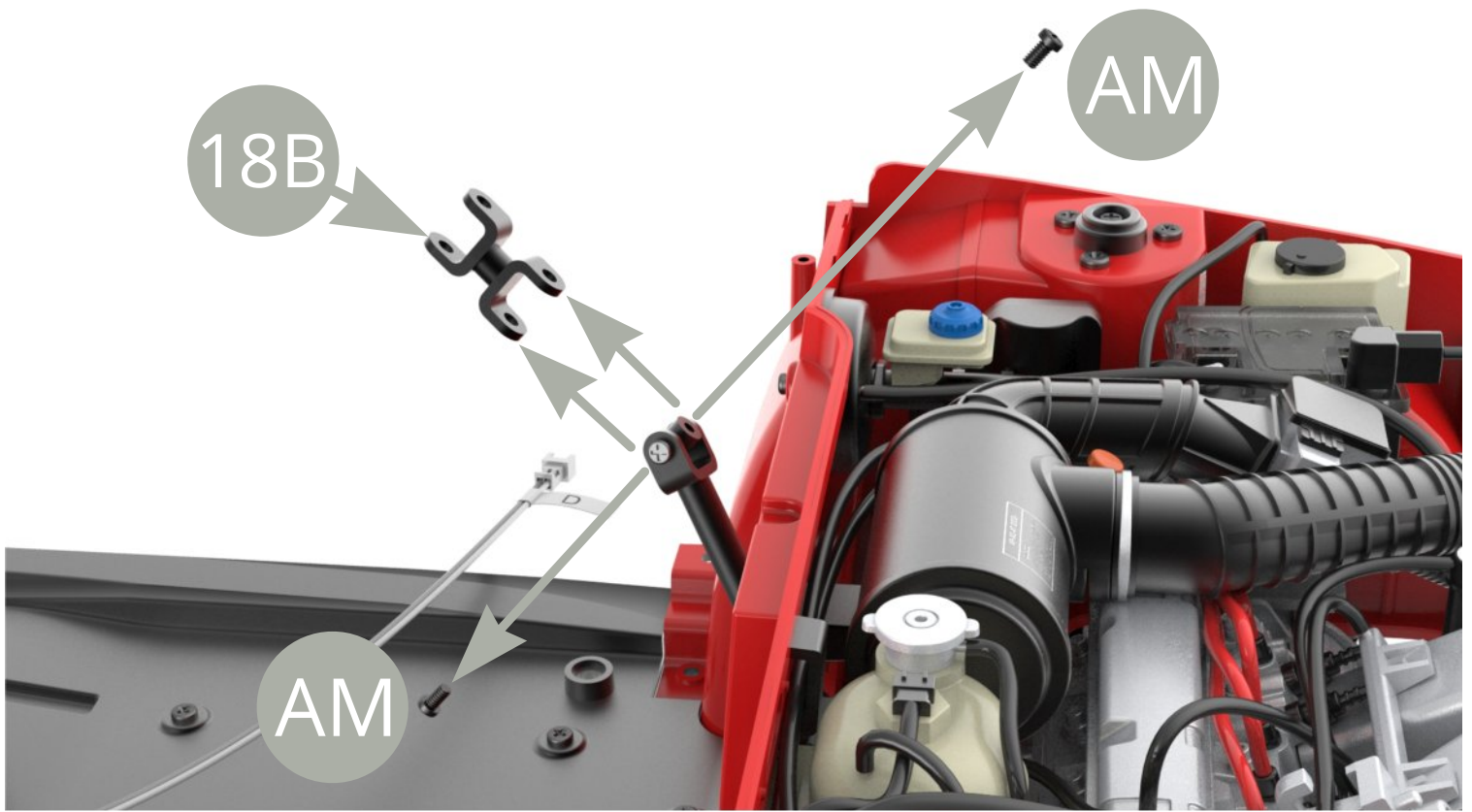
62A Facia panel

62B Fuse console

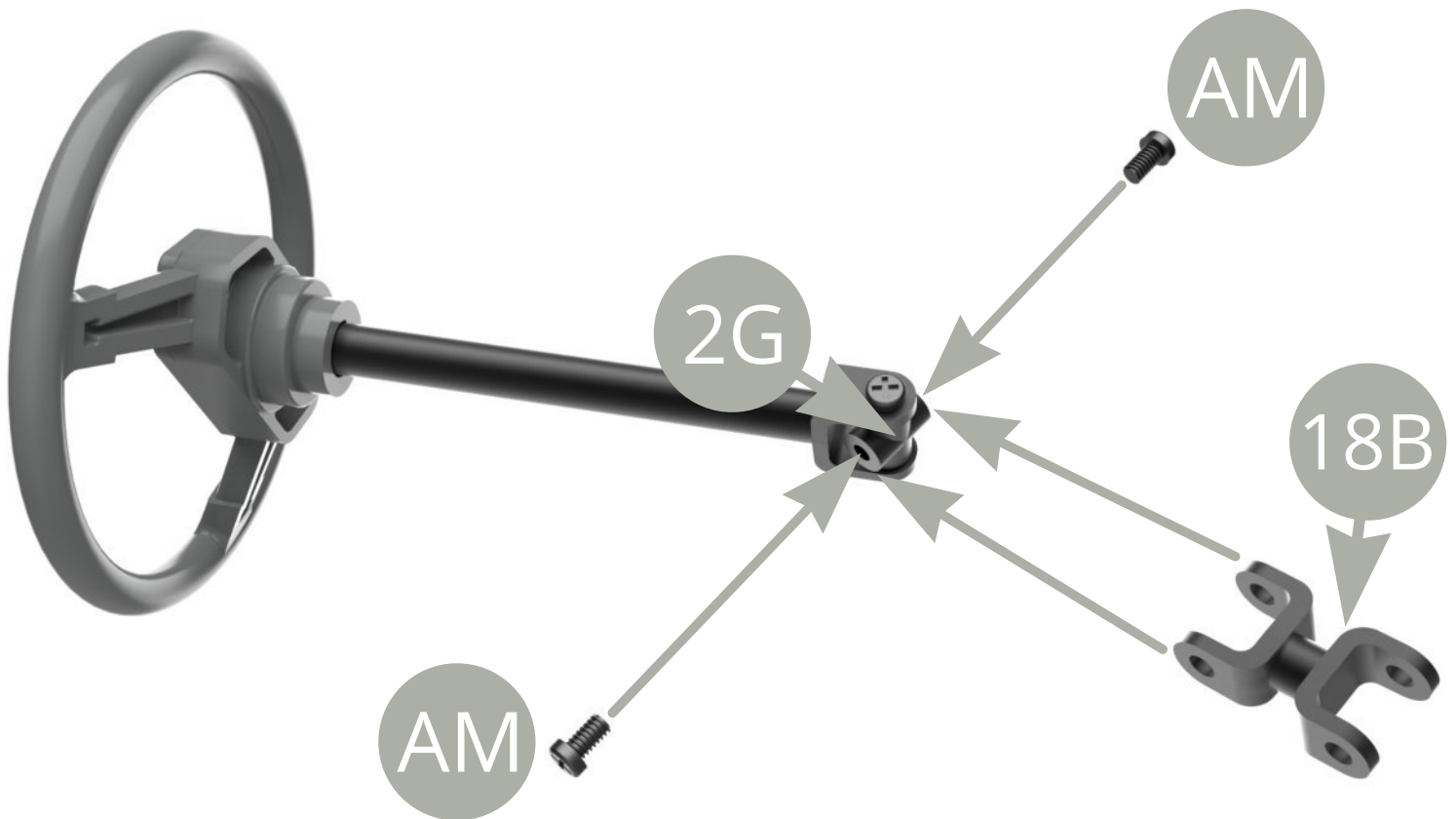
62C Clamp

AP M1,7 x4mm (x7)

AM M1,7 x3mm (x3)



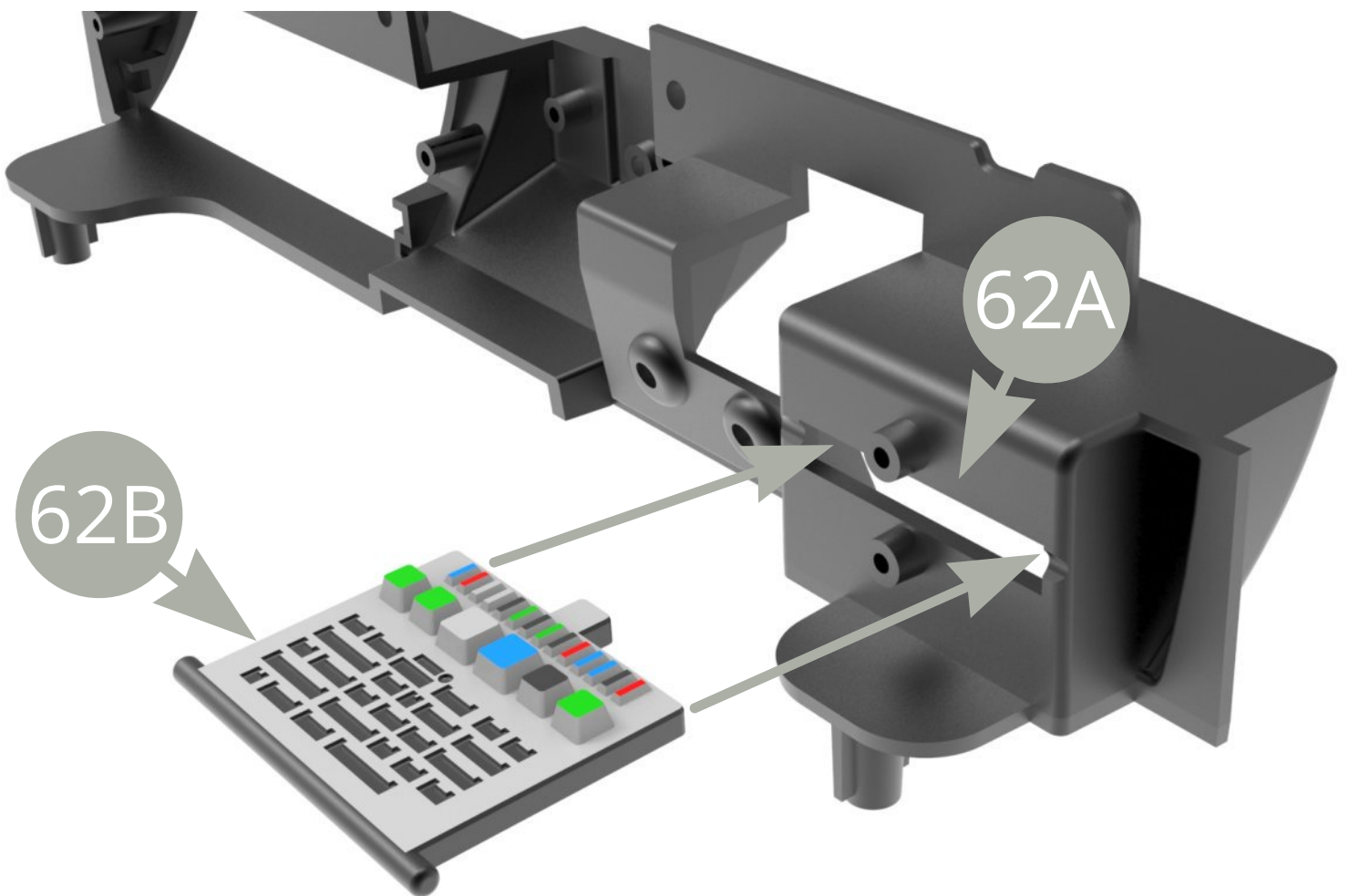
Undo two **AM screws** to release **18B Steering column link**.



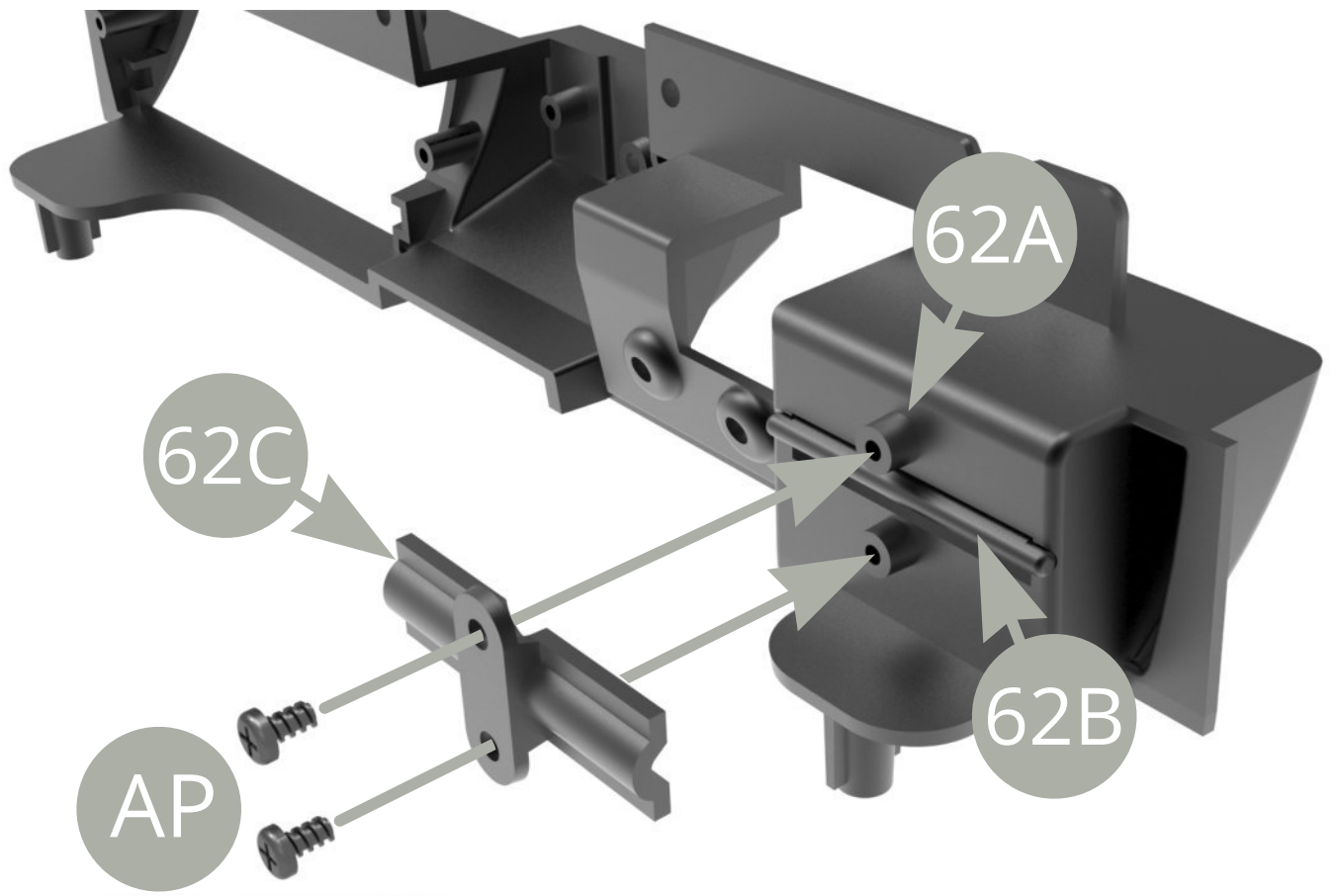
Fit **18B Steering column link** to preassembled Steering wheel **2G Universal joint** and fix with two **AM screws** .



18B Steering column link attached to preassembled **Steering wheel** .



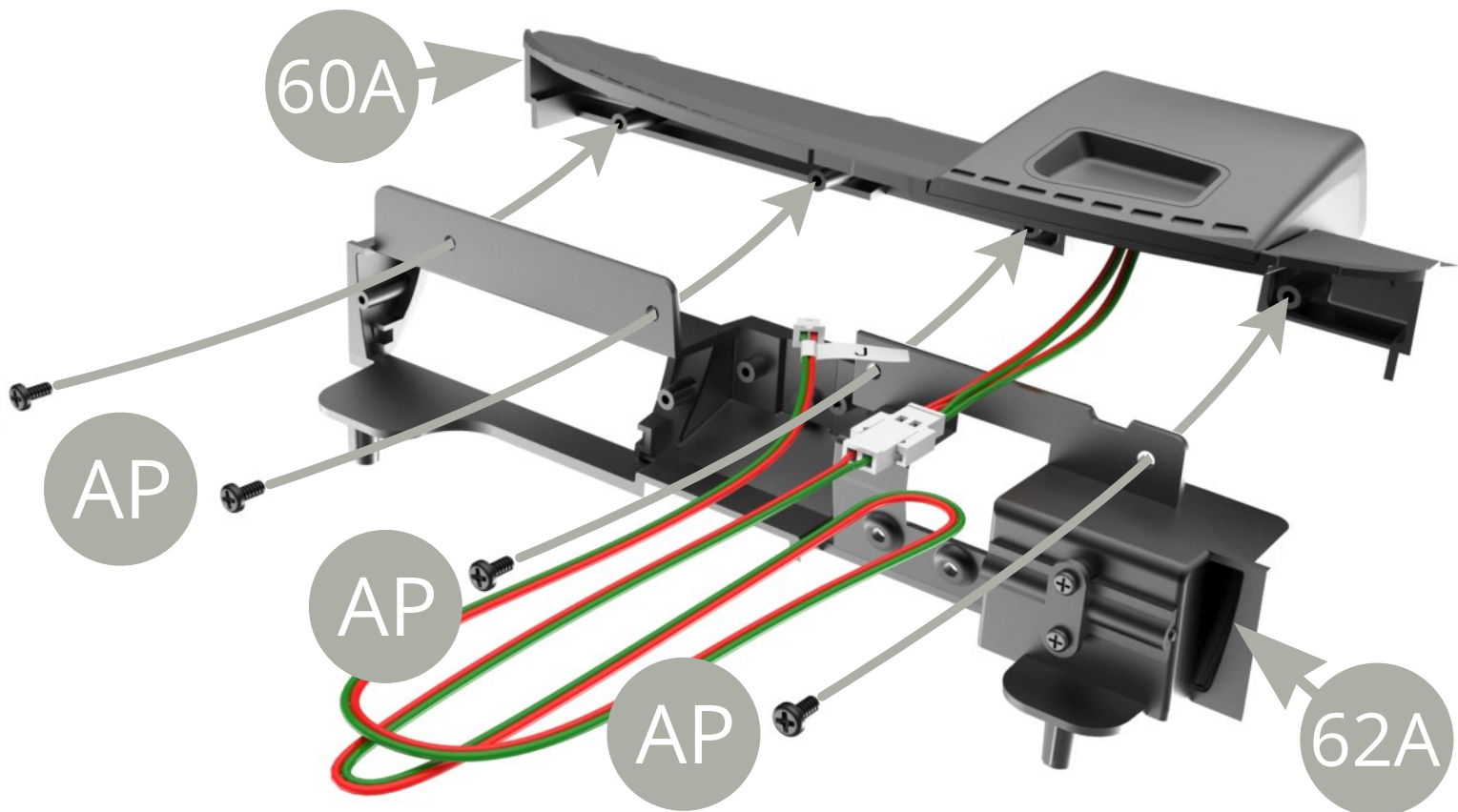
Fit **62B Fuse console** all the way in the slot on the back side of **62B Facia panel** .



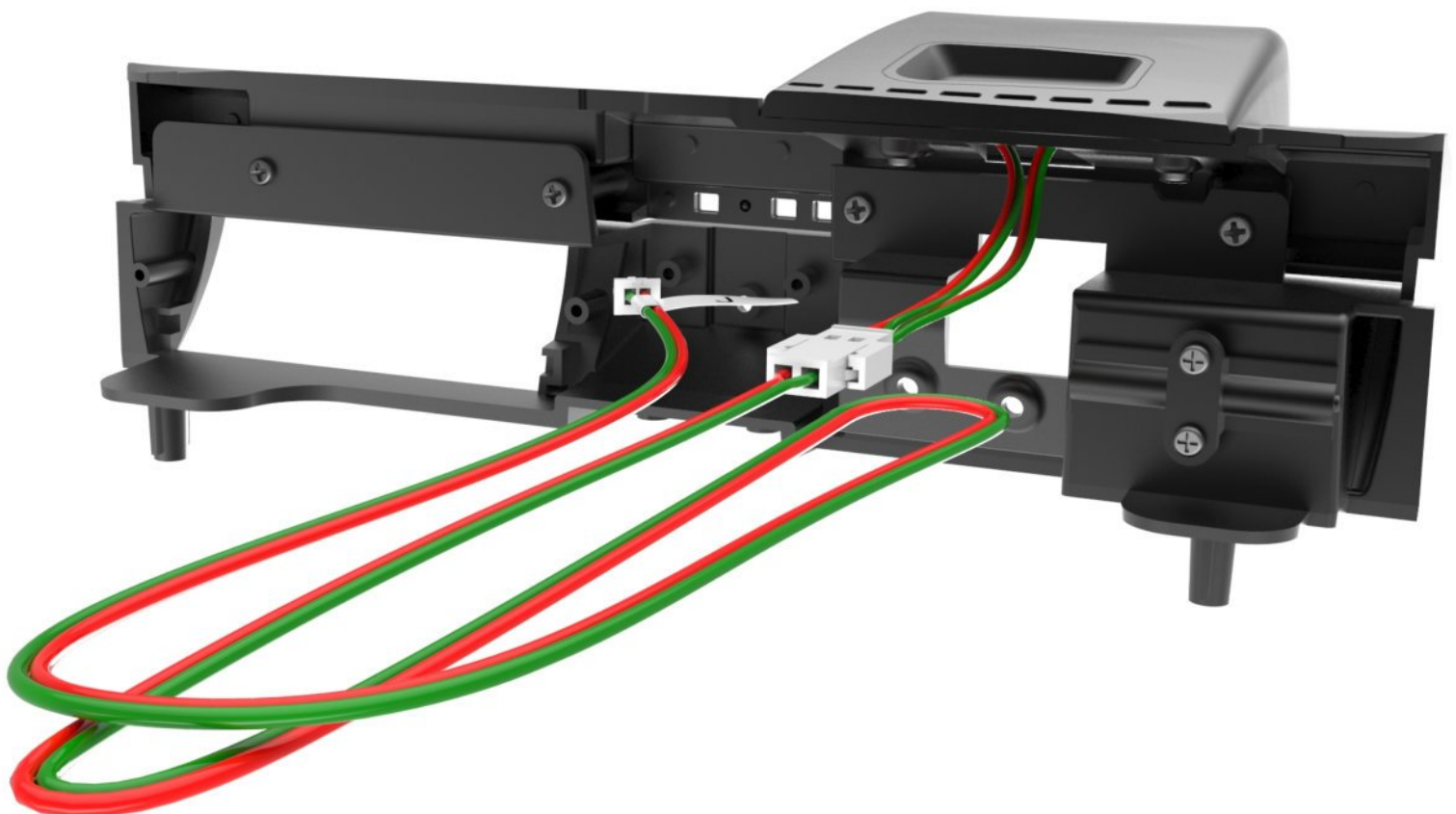
Fit **62C Clamp** to **62A Facia panel** , securing **62B Fuse console** , and fix with two **AP screws** .



Move **62B Fuse console** in up position (**blue arrow**) .



Fit **62A Facia panel** to **60A Upper dashboard panel** and fix with four **AP screws** .





Preassembled **Dashboard**

Final views



Assembly drawings .

