

65A Windscreen

65B Rear-view mirror housing

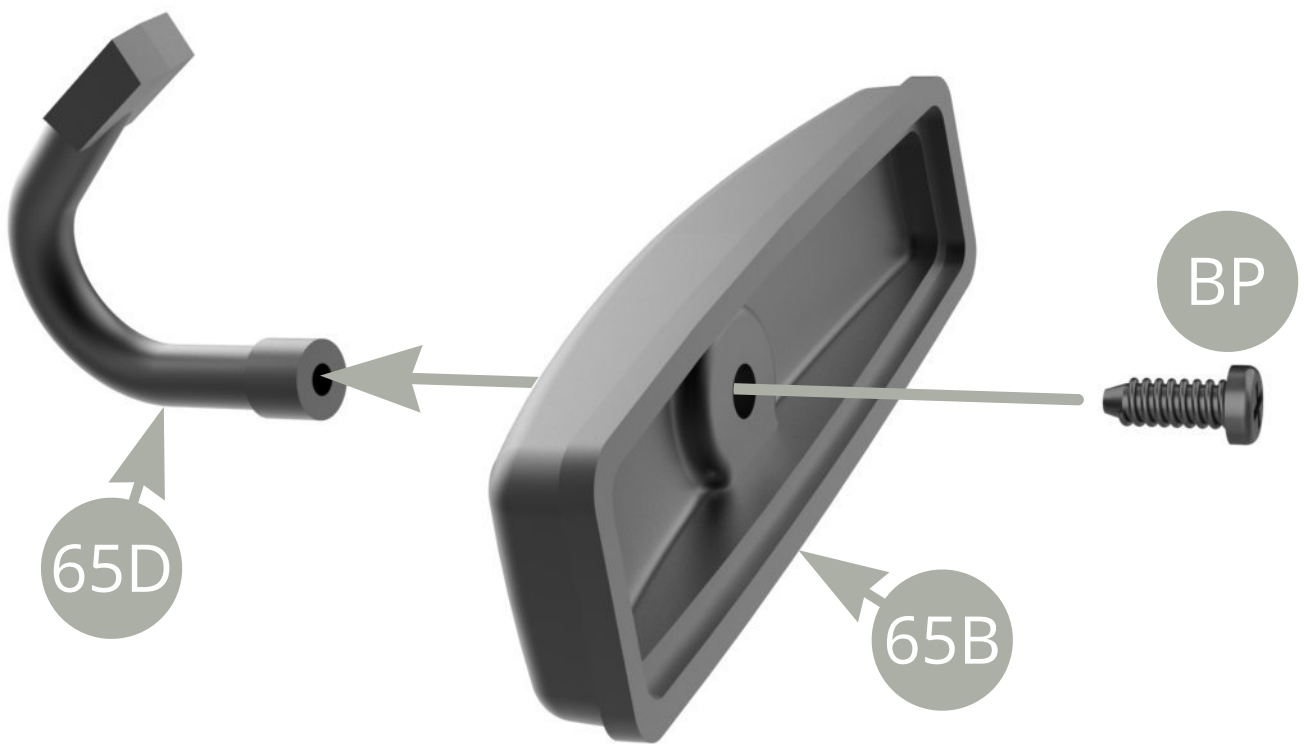
65C Mirror

65D Rear-view mirror arm

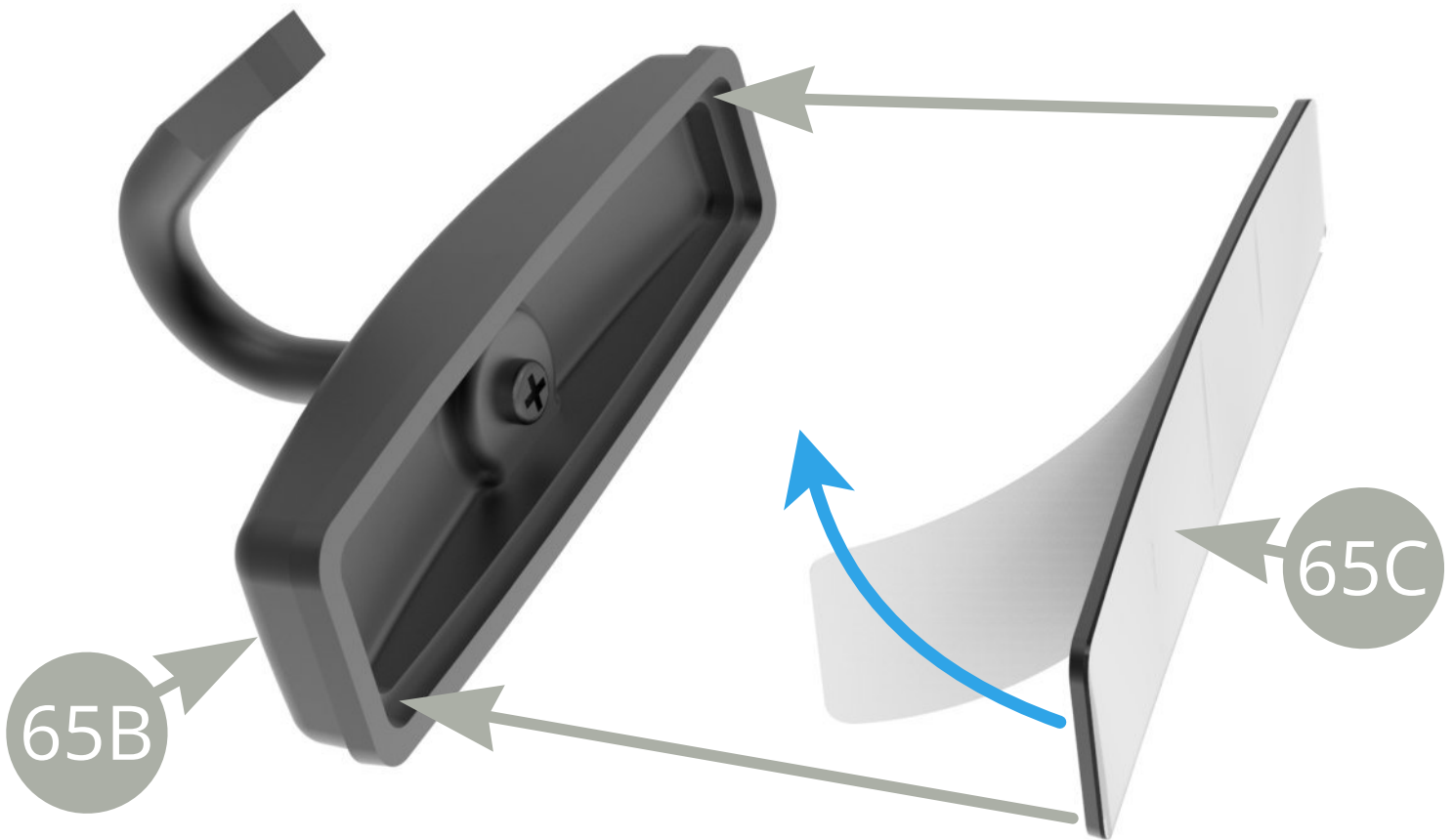
65E Double side tape (x2)

AM M1,7 x3mm (x6)

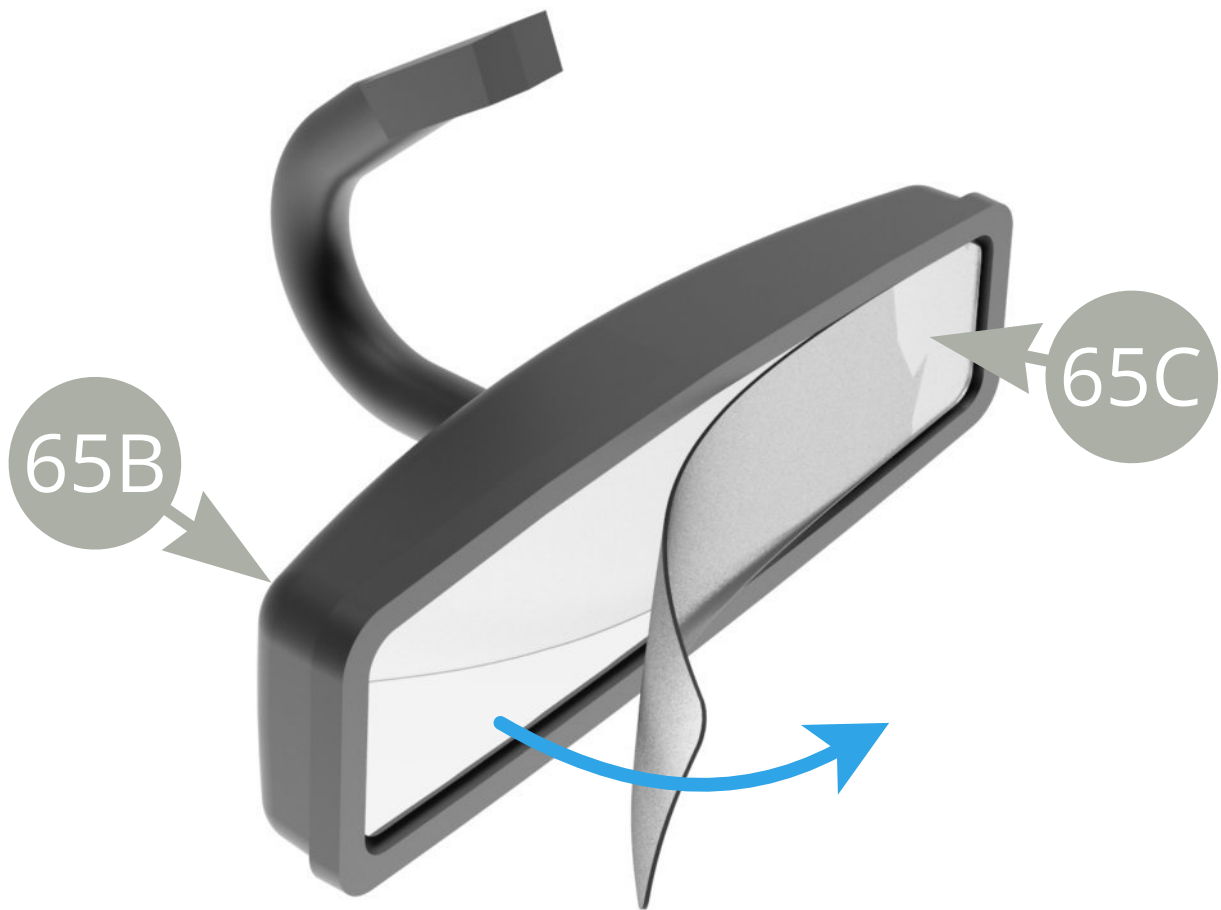
BP M1,2 x3mm (x2)



Fit **65B Rear-view mirror housing** to **65D Rear-view mirror arm** and fix with **BP screw** .



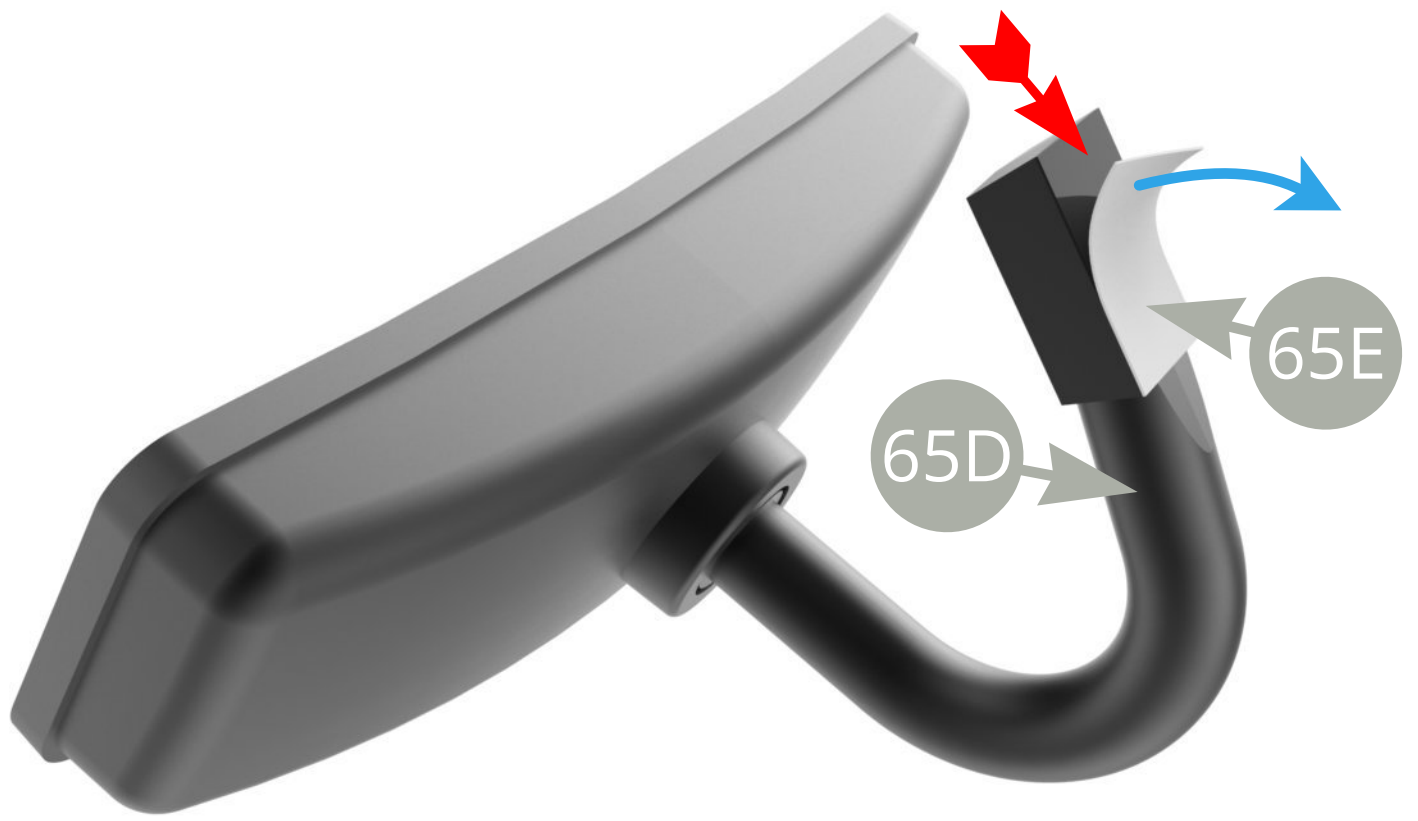
Peel backing paper off **65C Mirror** (**blue arrow**) and fit it with its self adhesive back side to **65B Rear-view mirror housing** .



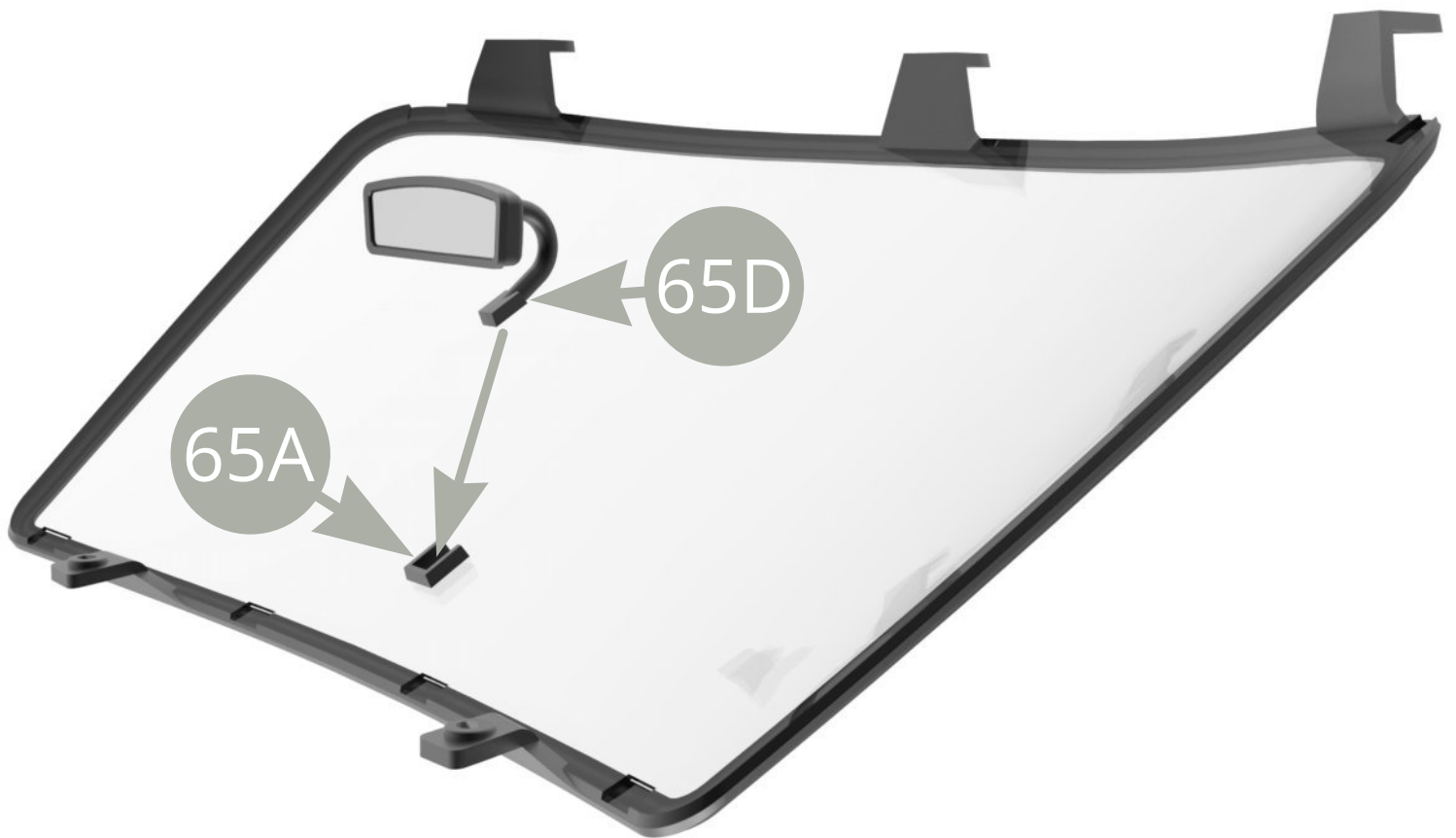
Peel transparent protective film off **65C Mirror** (**blue arrow**).



Take one of two **65E Double side tape** pieces off yellow backing paper and apply it to upper square flat area of **65D Rear-view mirror arm** .



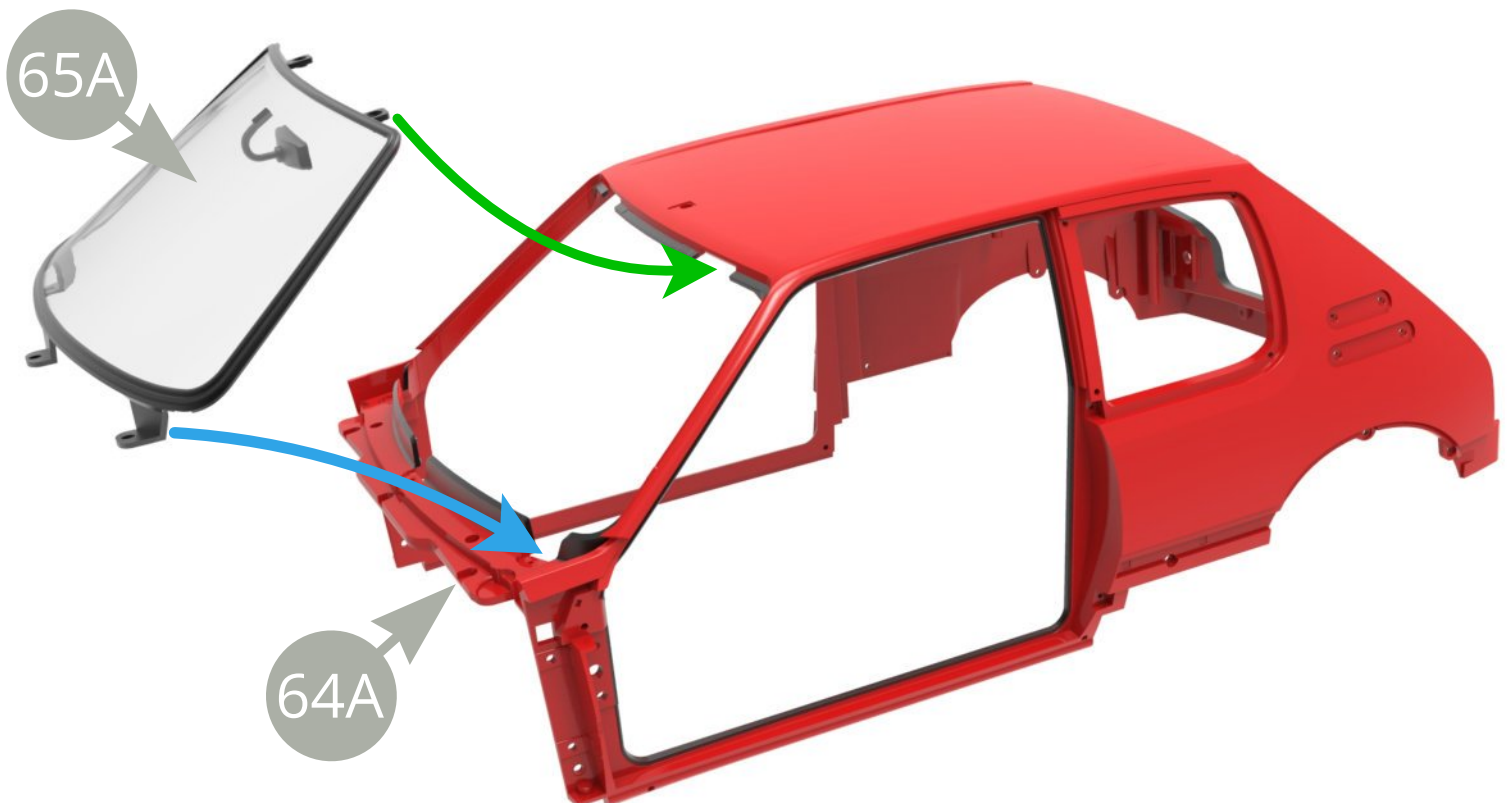
Peel away (**blue arrow**) **65E Double side tape** white backing paper leaving sticky transparent tape attached to **65D Rear-view mirror arm** (**red arrow**) .



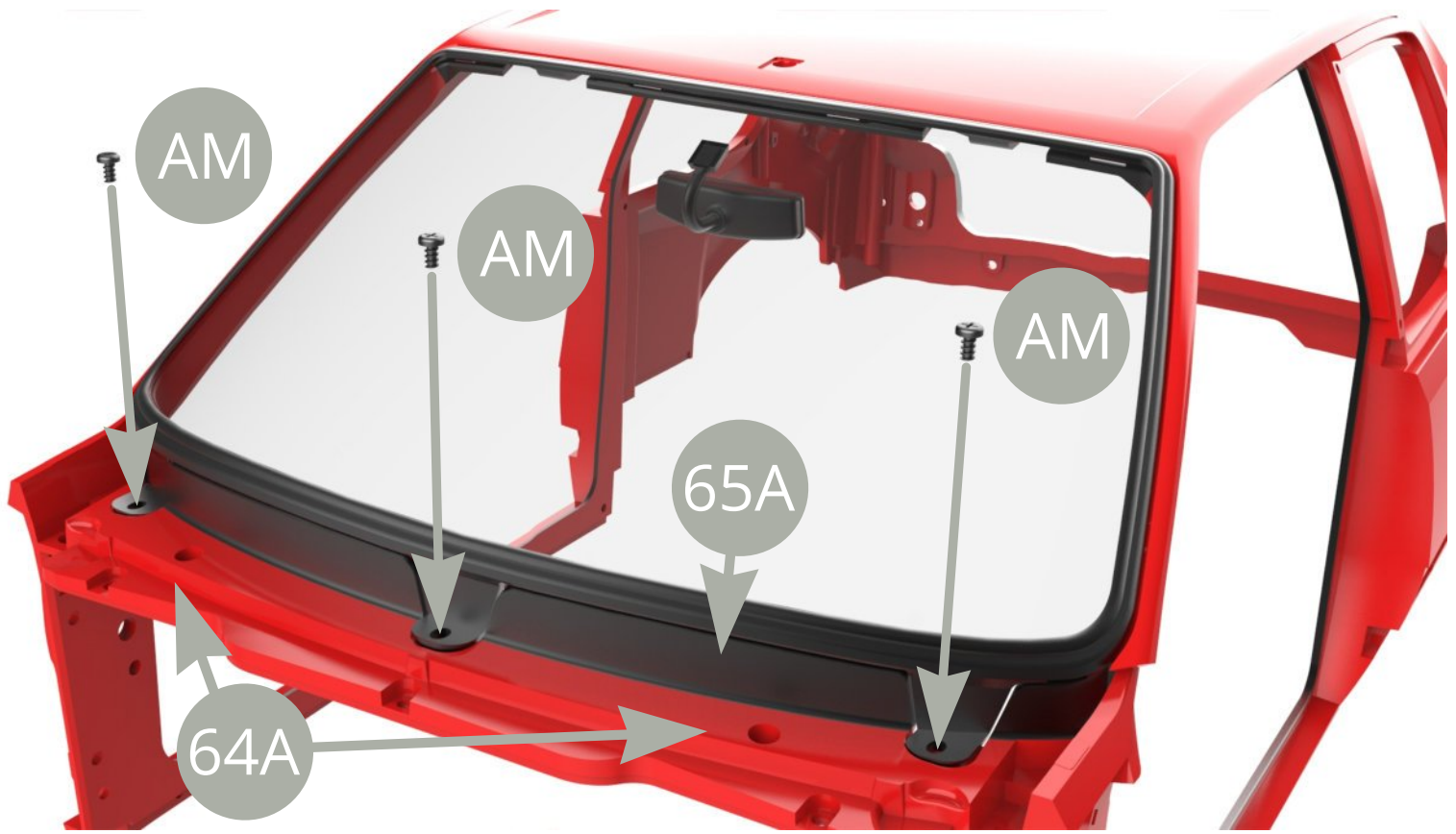
Fit **65D Rear-view mirror arm** by its sticky end area to the black niche on **65A Windscreen** inner side .



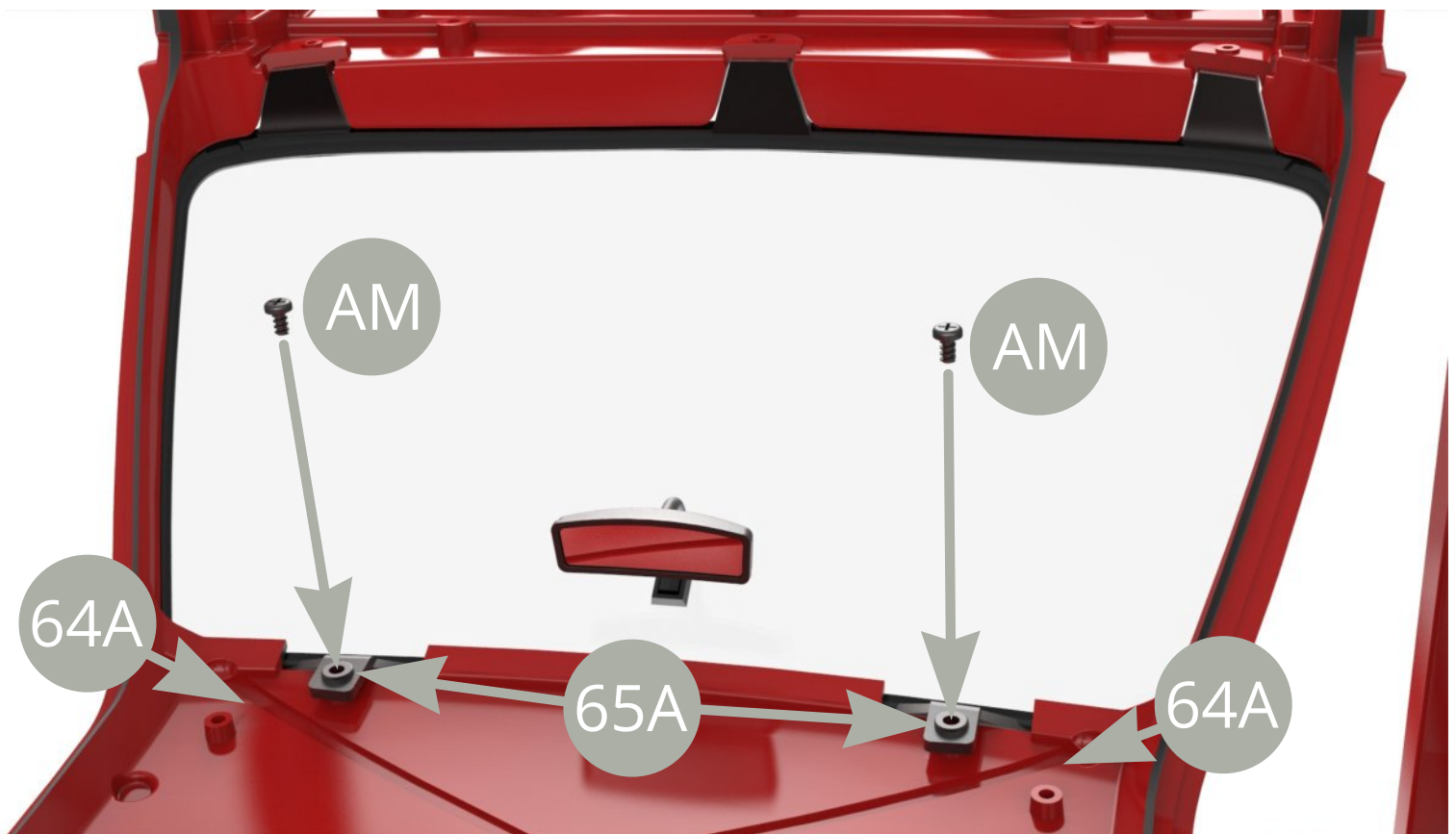
Inner Rear-view mirror is attached to **Windscreen** .



Fit **65A Windscreen** with its two upper tabs to **64A Body frame** (**green arrow**) , and then fit lower three tabs of **65A Windscreen** with a down swing motion (**blue arrow**) .



Fix three lower tabs of **65A Windscreen** to **64A Body frame** with three **AM screws** .



Fix two upper tabs of **65A Windscreen** to inner ceiling edge of **64A Body frame** with two **AM screws** .



Windscreen with **Inner Rear-view mirror** is installed to **Body frame** .

Final views .



Assembly drawings .

