



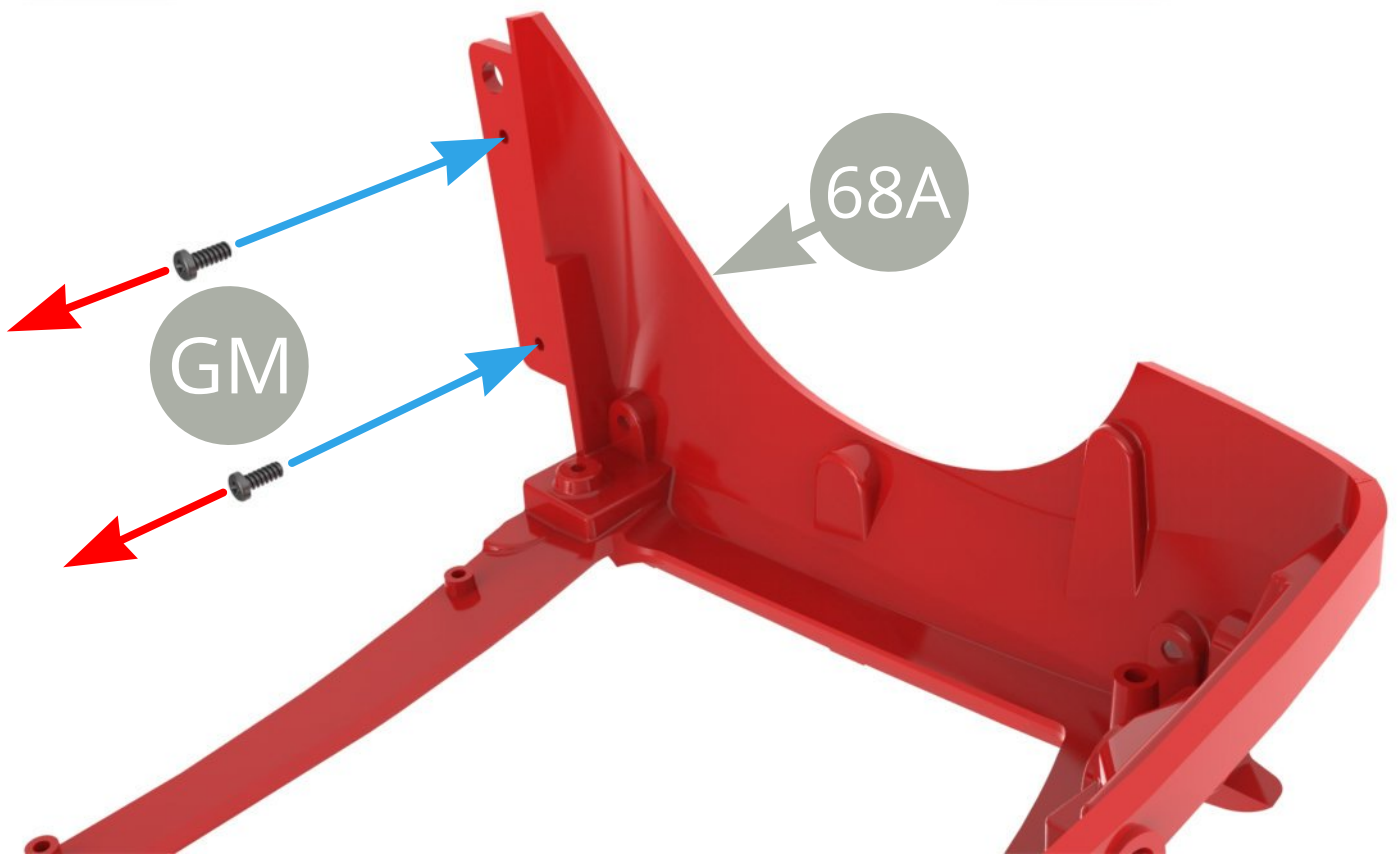
68A Front subframe

68B Ignition key lock decal (x2)

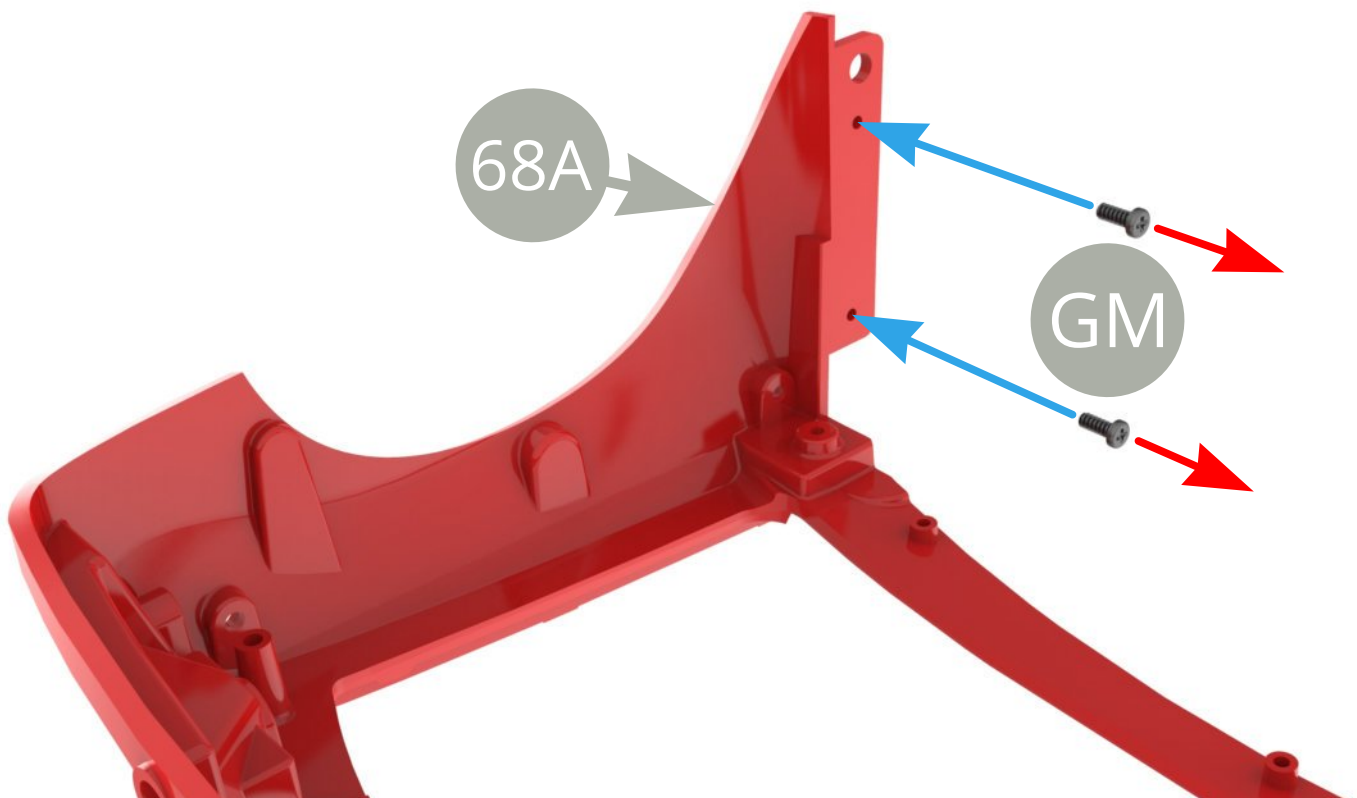
GM M2,0 x5mm (x13)

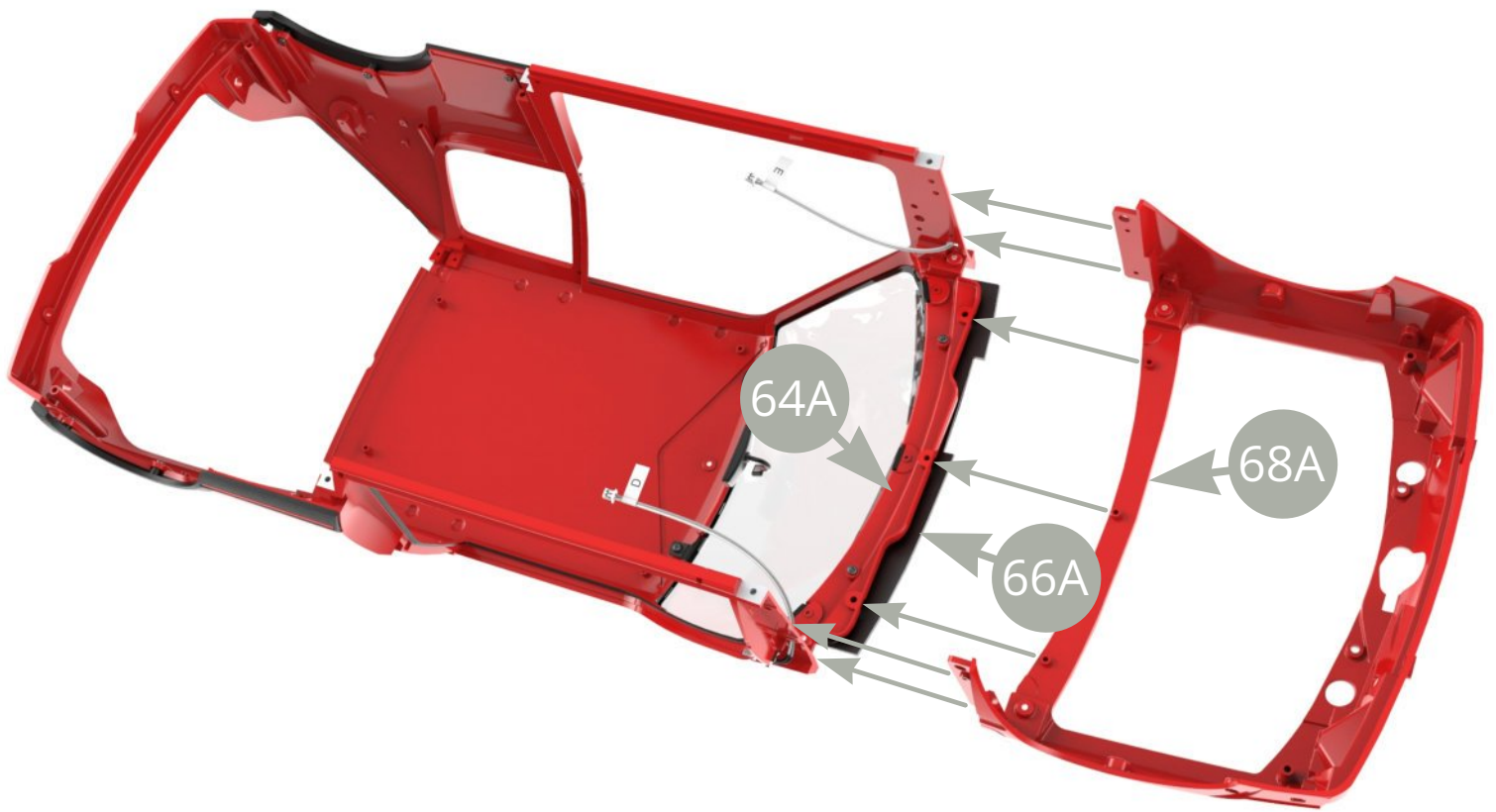


Remove distance keeping plank by undoing two side screws .

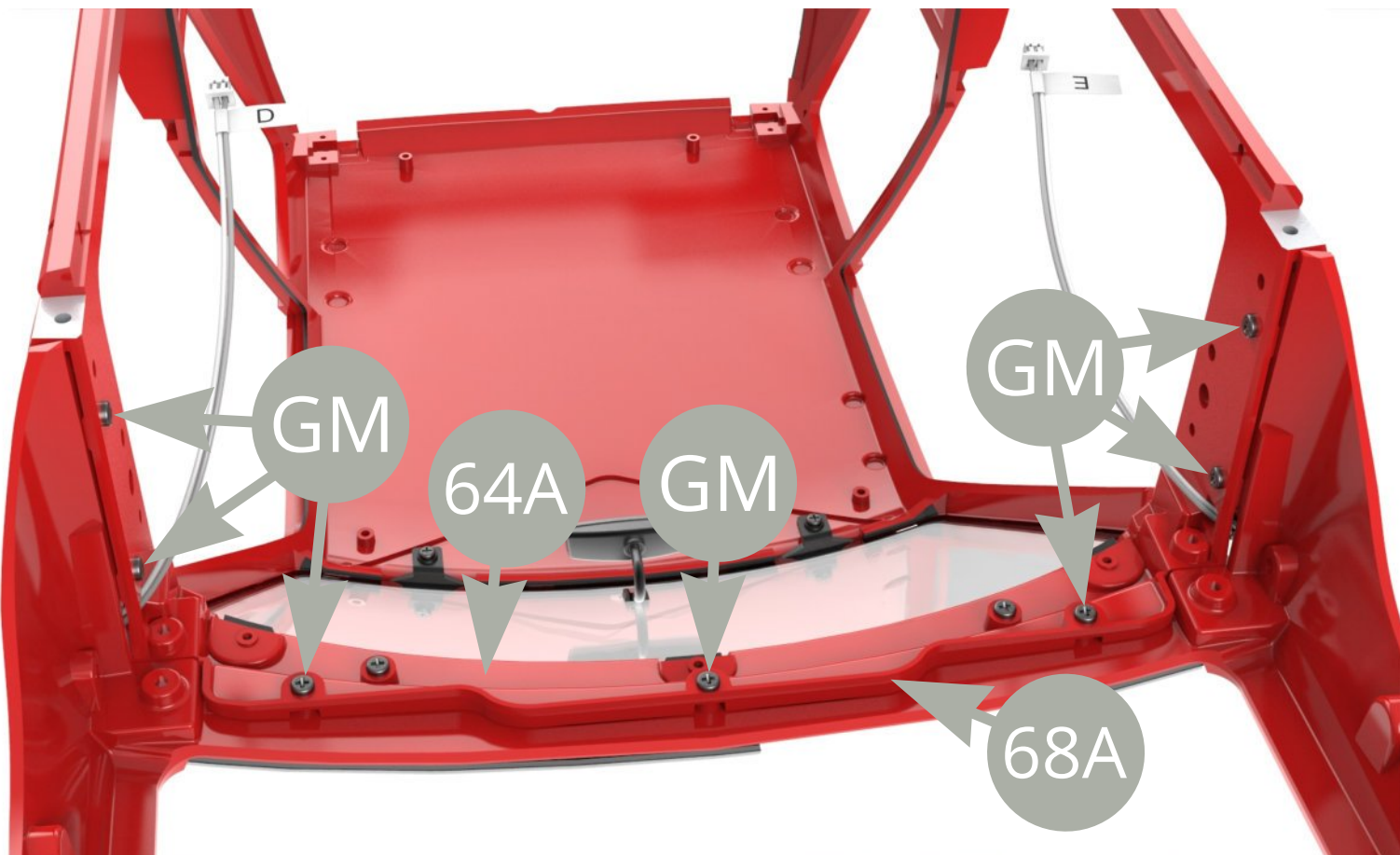


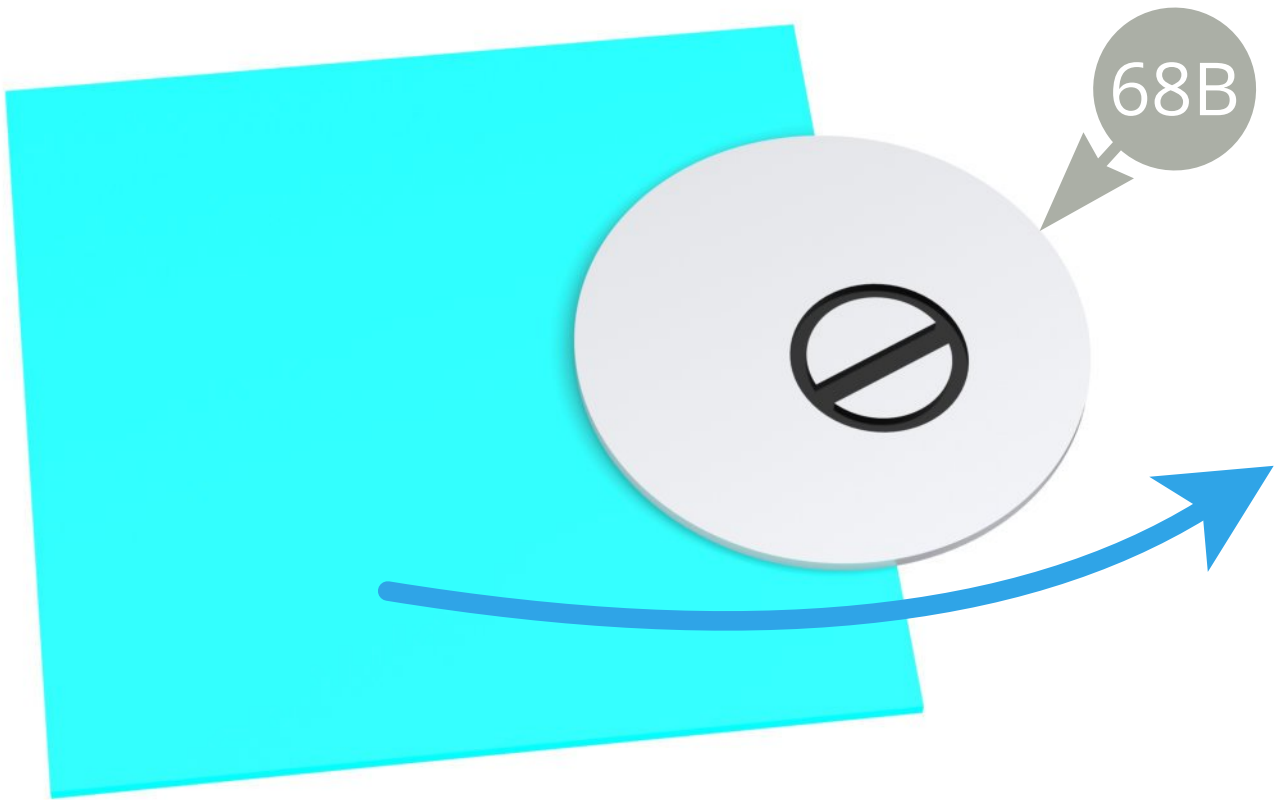
To facilitate further assembly cut the threads by taking four **GM screws** and screw them in (**blue arrows**) **68A Front subframe** right (upper image) and left (lower image) side flanges , and then unscrew completely (**red arrows**) .





Fit **68A Front subframe** to **64A Body frame** , partially under front edge of **66A Air intake grille** , and fix with seven **GM screws** (upper and lower illustrations) .





Put **68B Ignition key lock decal** in water for 15 seconds slide the **Key Lock** off and apply using tweezers to **63D Upper** and **63E Lower steering column housing** (upper and lower illustrations) .



Final views .



Assembly drawings .

