

69A Top front panel

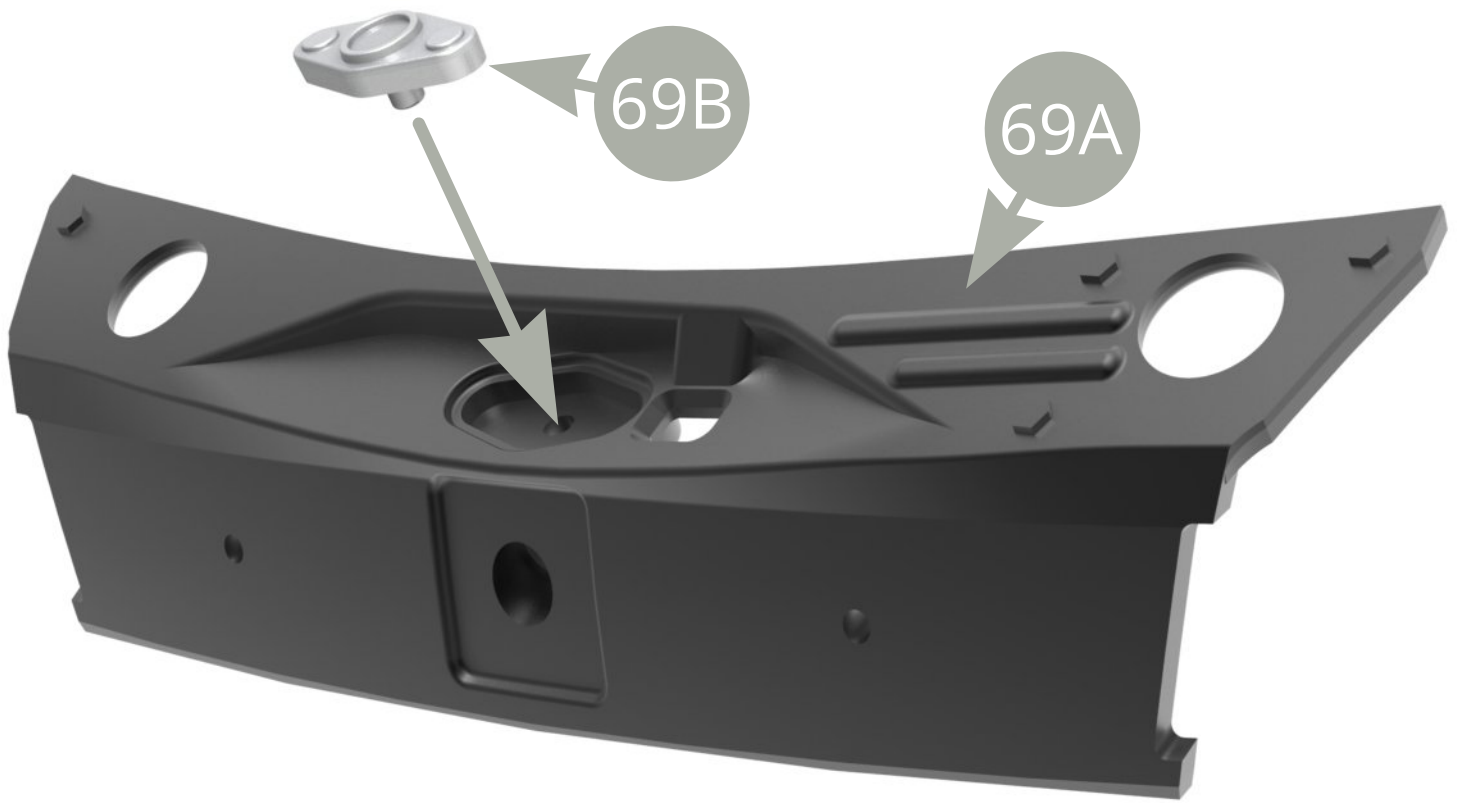
69B Bonnet lock

69C Front bumper (with corrected color)

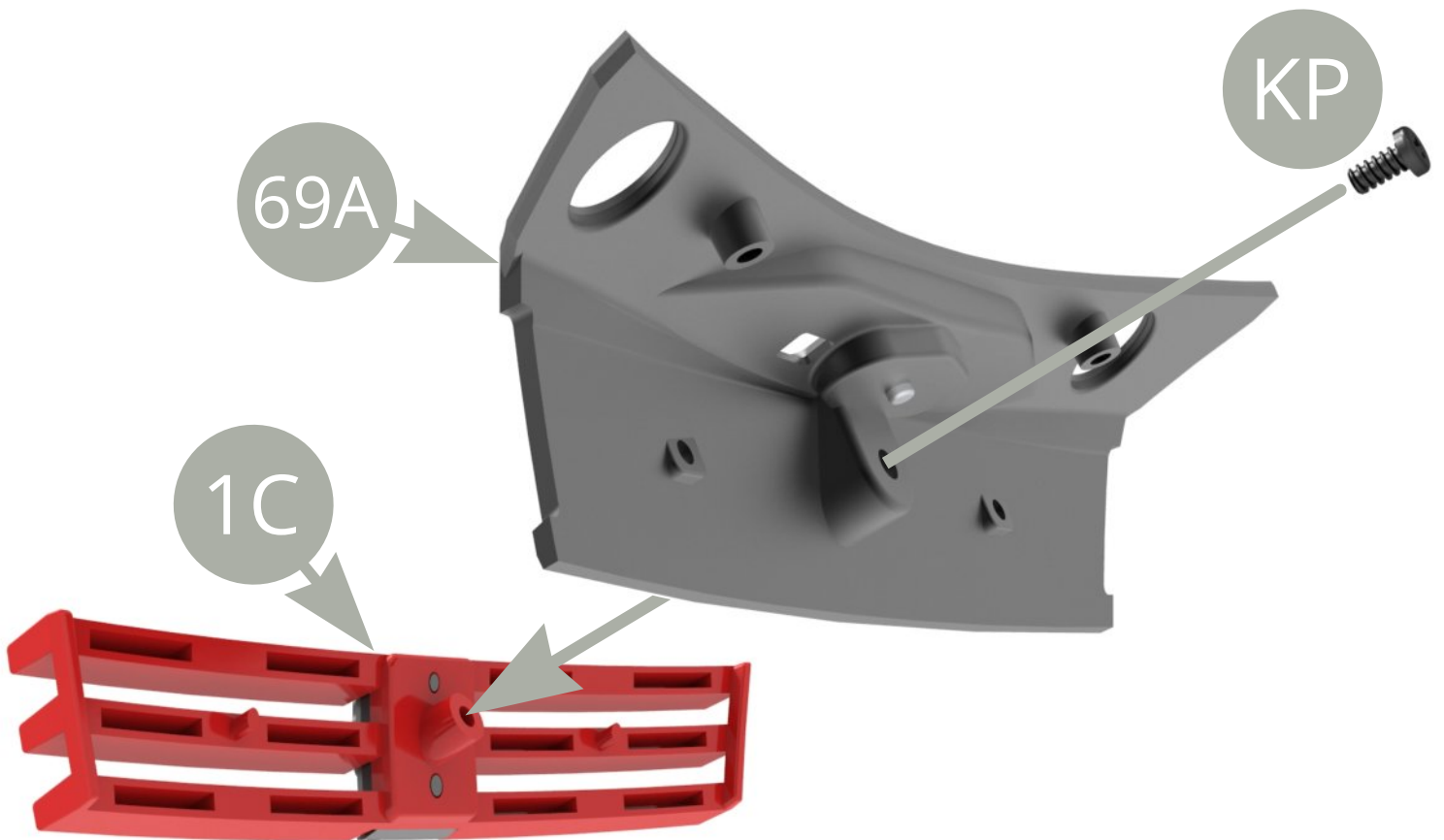
AP M1,7 x4mm (x3)

KP M2,0 x4mm (x2)

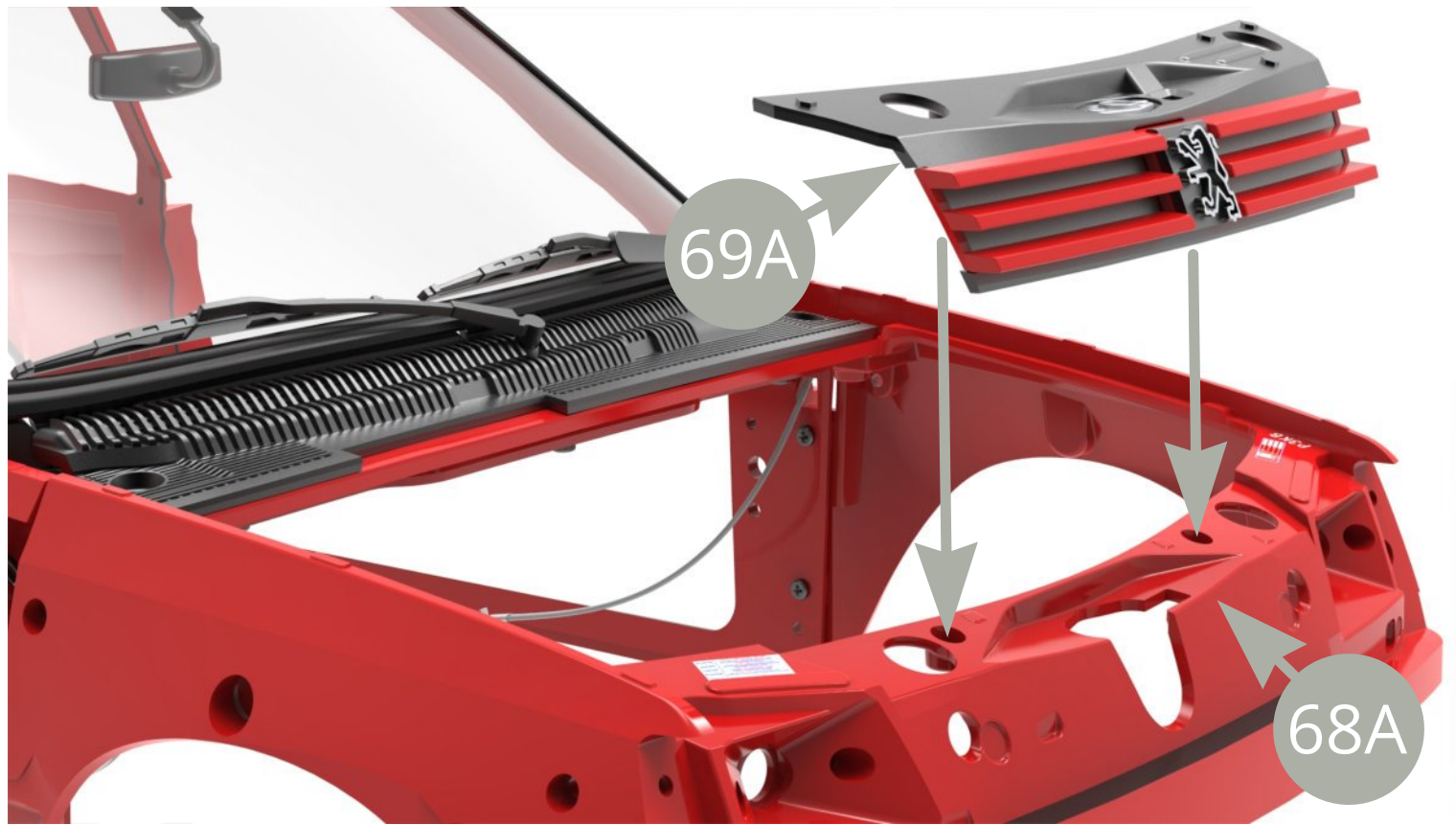
BM M2,0 x4mm (x3)



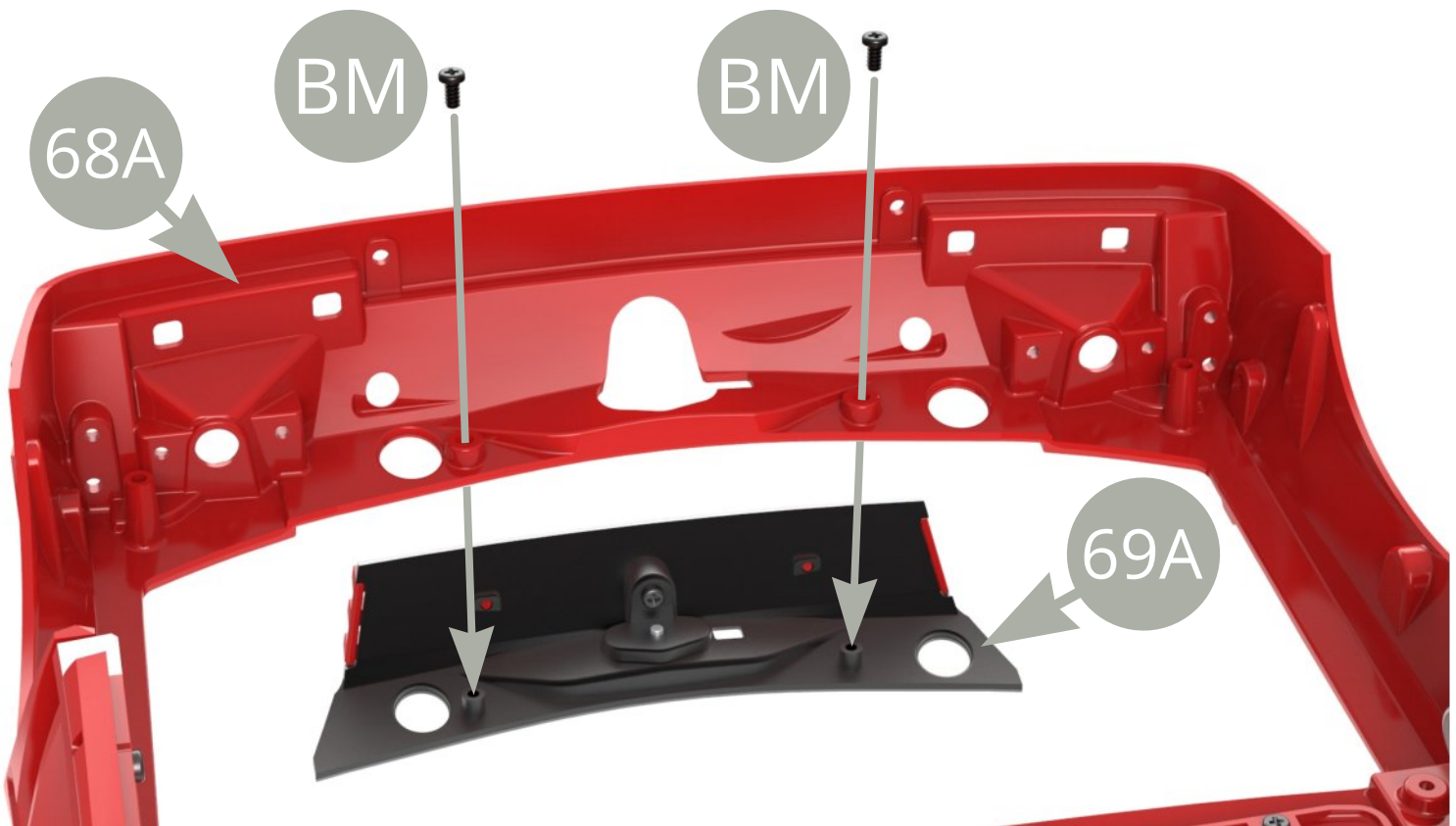
Fit **69B Bonnet lock** to **69A Top front panel** .

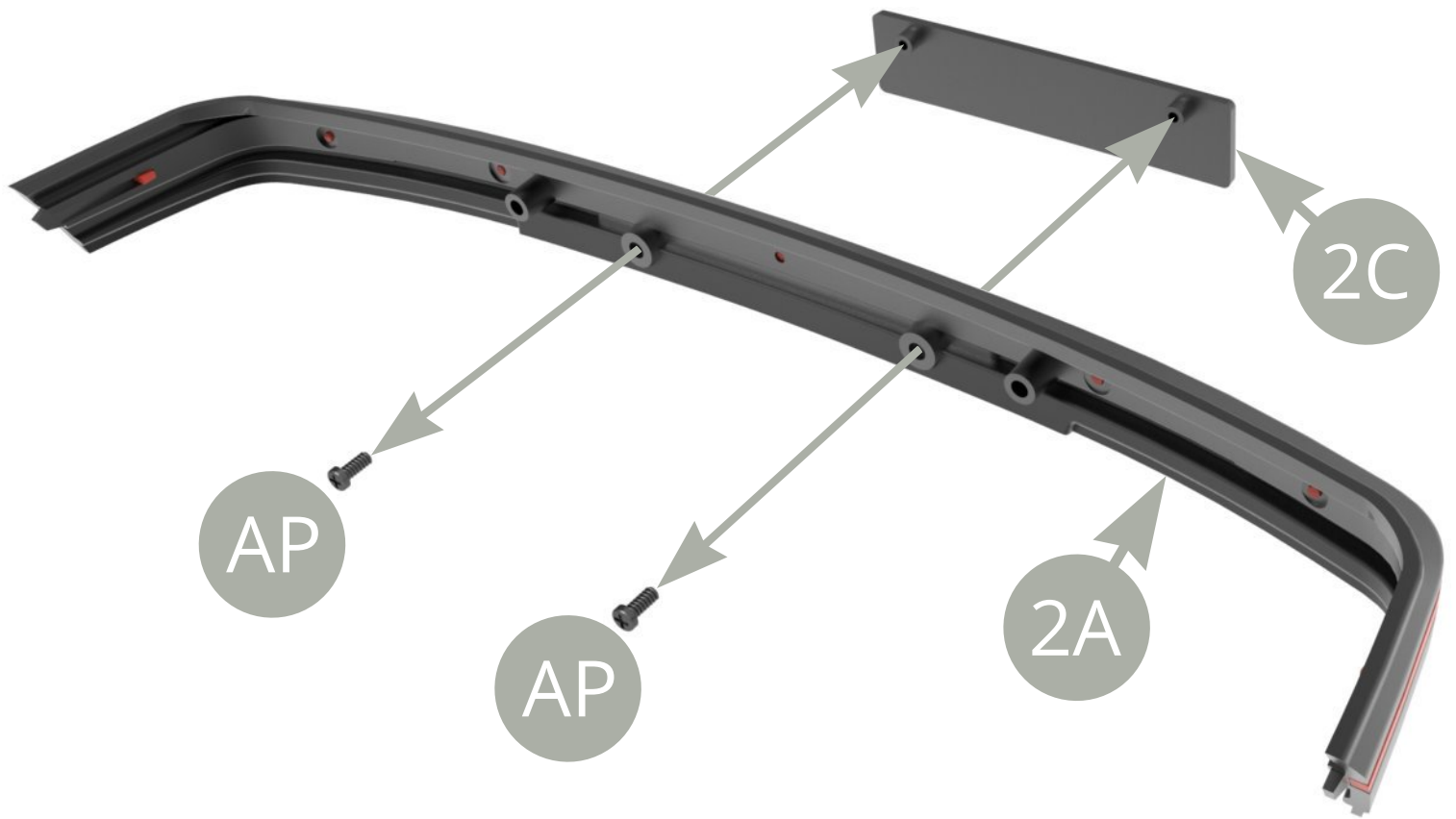


Fit **1C Front grille** to **69A Top front panel** and fix with **KP screw** .

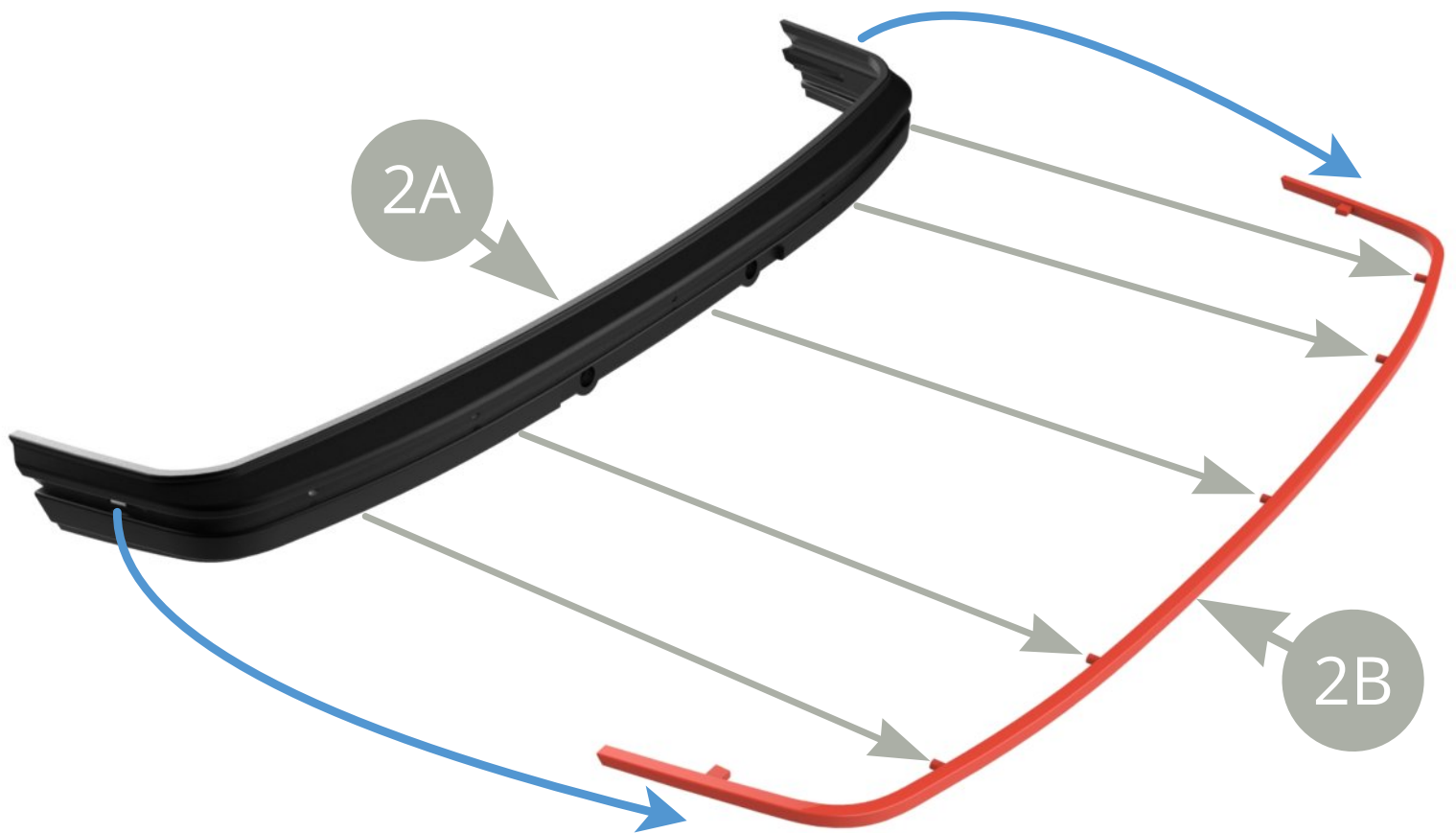


Fit **69A Top front panel** to **68A Front subframe** and fix with two **BM screws** (upper and lower illustrations) .

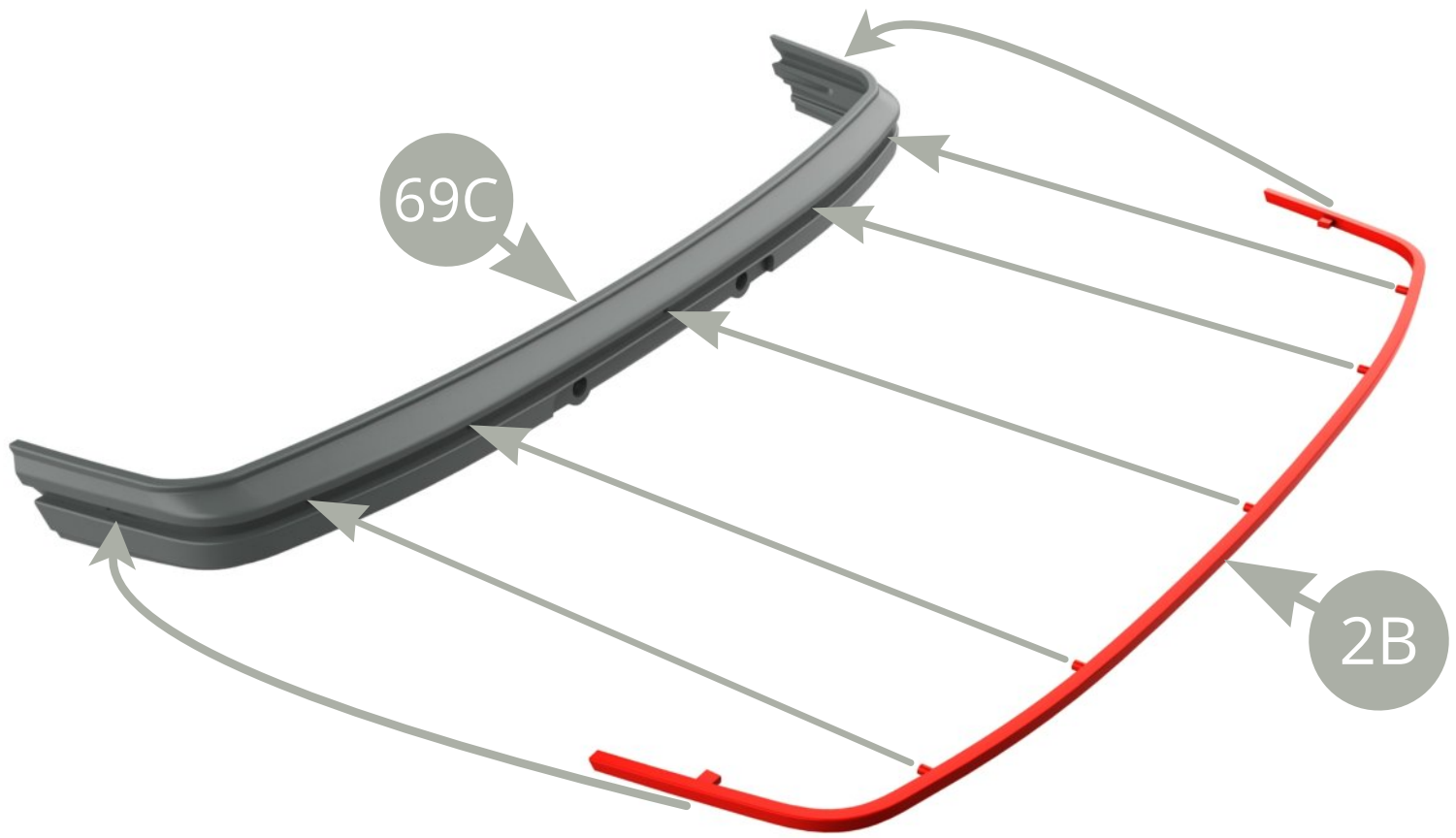




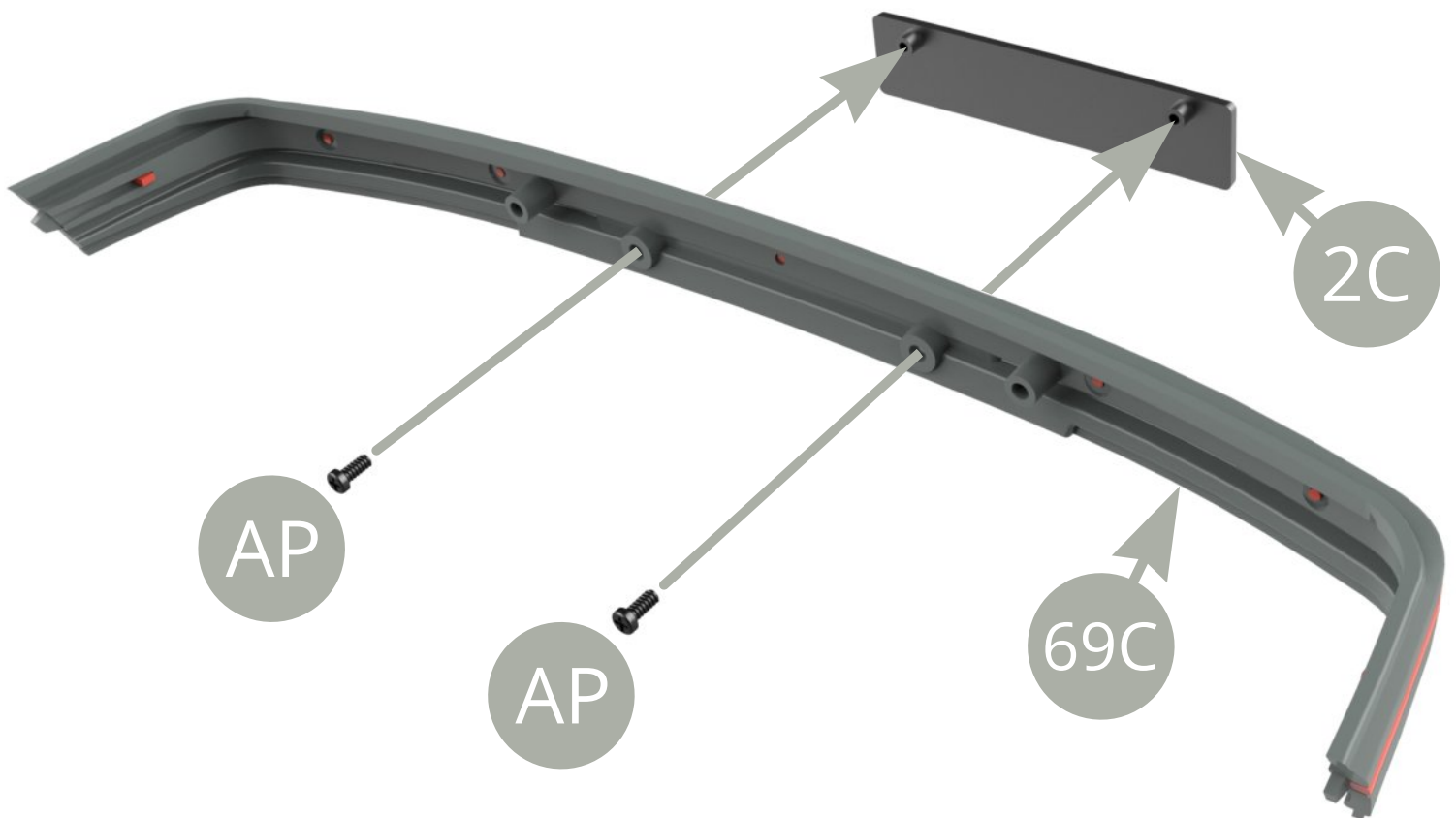
Remove **2C Front license plate** from **2A Front bumper** by releasing two **AP screws** .



Remove **2B Molding** from **2A Front bumper** by unplugging first its sides from inside of bumper (**blue arrows**) .



Fit **2B Molding** to newly supplied **69C Front bumper** (with correct dark gray color) .



Fit **2C Front license plate** to newly replaced **69C Front bumper** and fix with two **AP screws** .

Final views .



Assembly drawings .

