



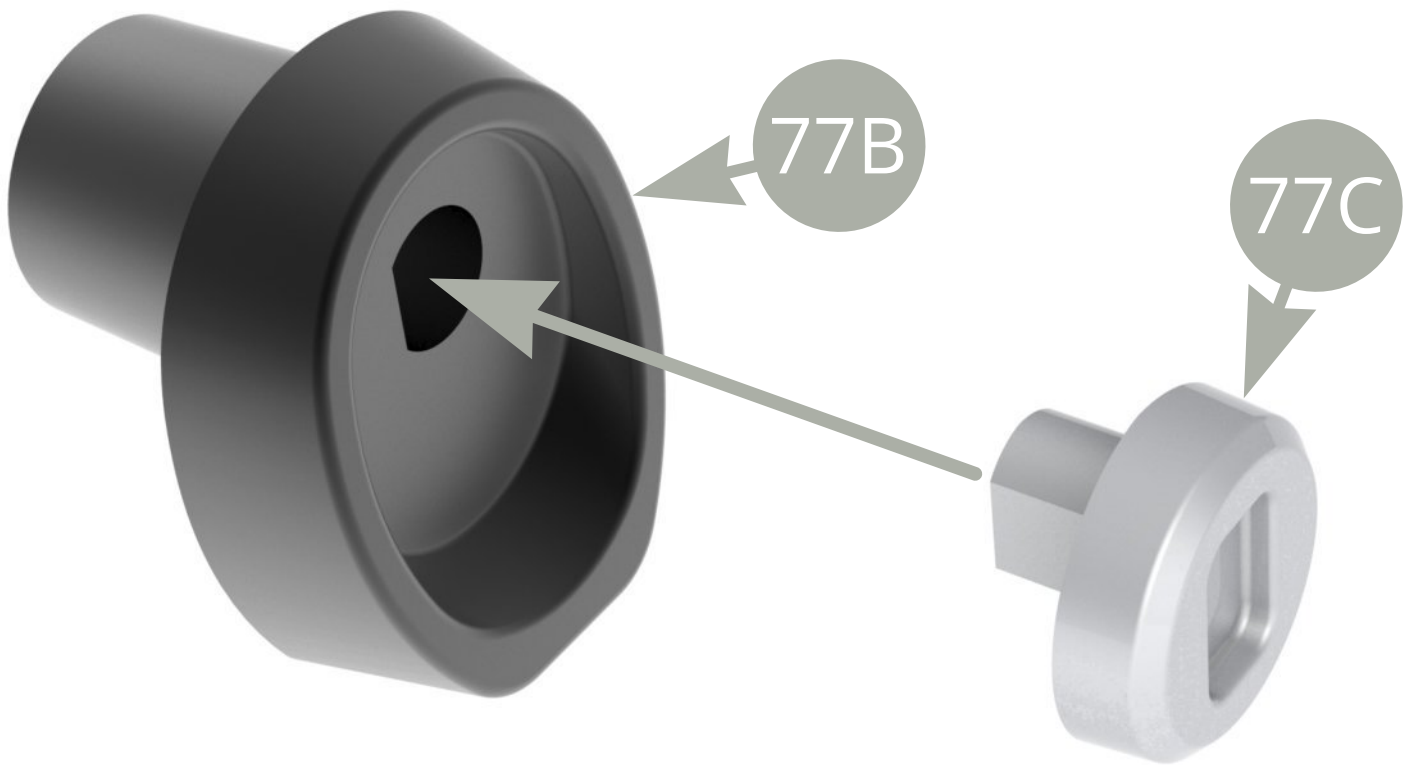
77A Tailgate deco panel

77B Tailgate lock

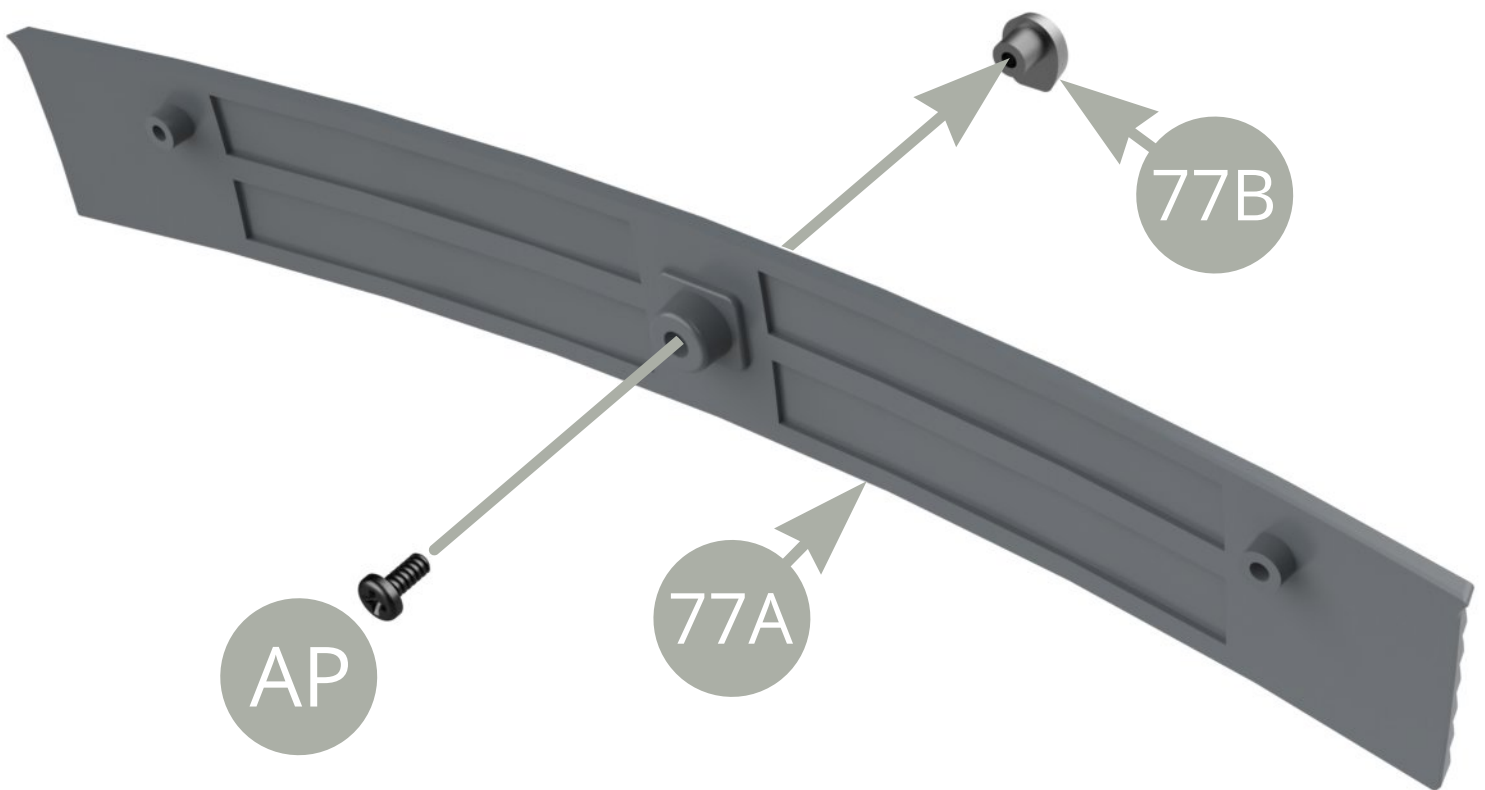
77C Lock button

77D Tailgate glass with heater

AP M1,7 x4mm (x4)



Fit **77C Lock button** to **77B Tailgate lock** .

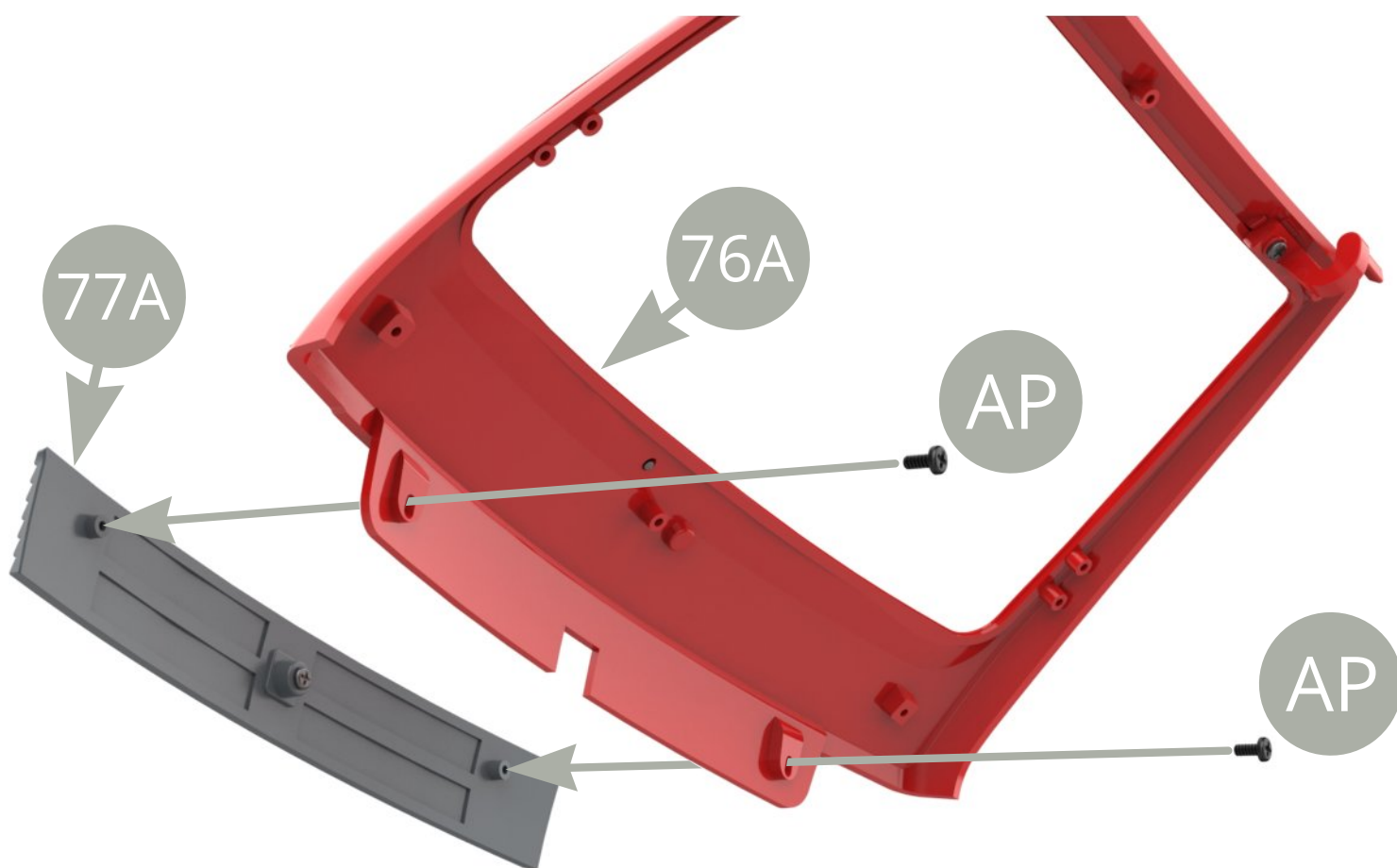


Fit **77B Tailgate lock** to **77A Tailgate deco panel** and fix with **AP screw** .



77A

Preassembled **77A Tailgate deco panel** .



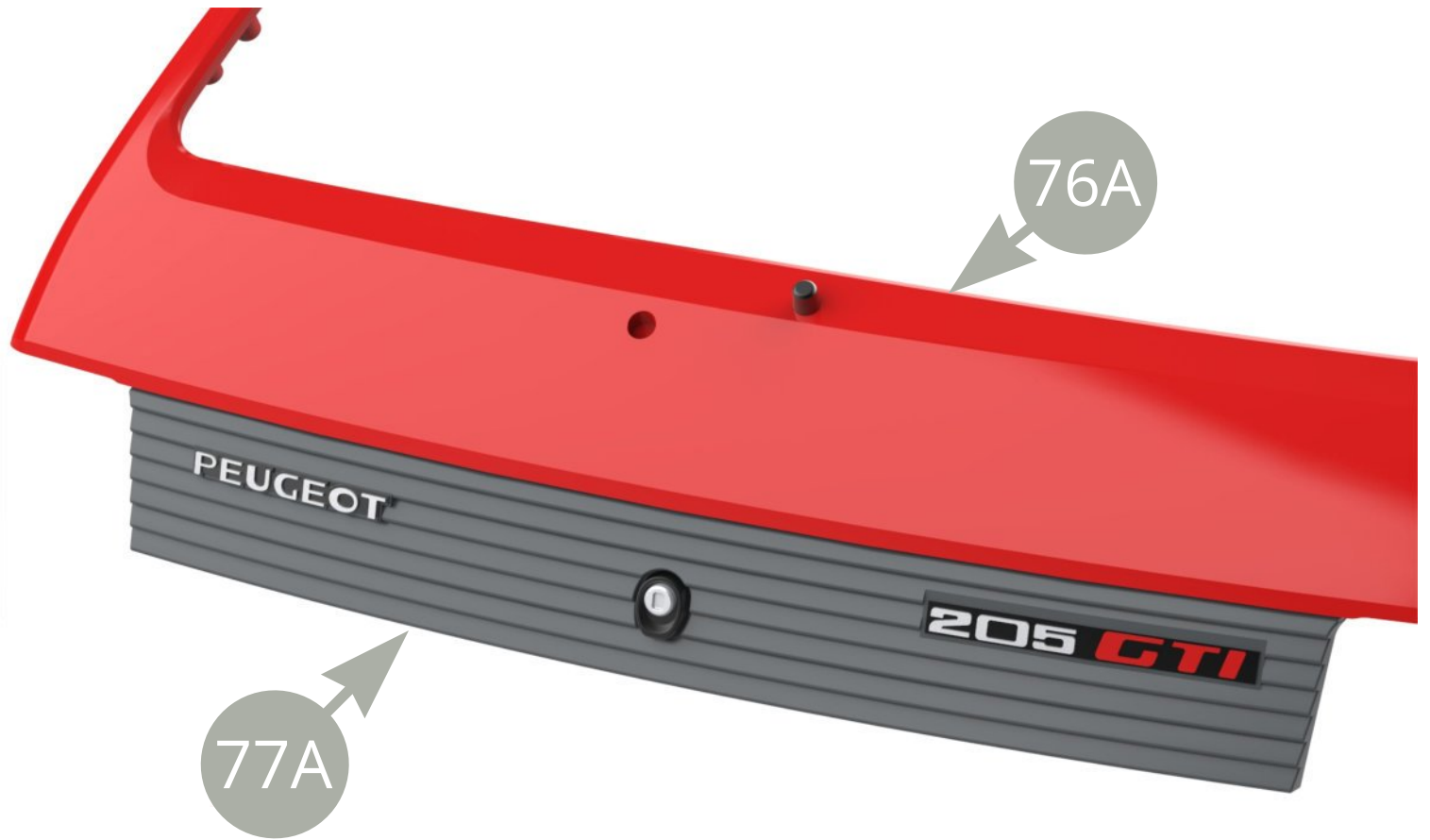
77A

76A

AP

AP

Fit **77A Tailgate deco panel** to **76A Tailgate frame** and fix with two **AP screws** .



**77A Tailgate panel** is attached to **76A Tailgate** .

Final views .



# Assembly drawing .

