

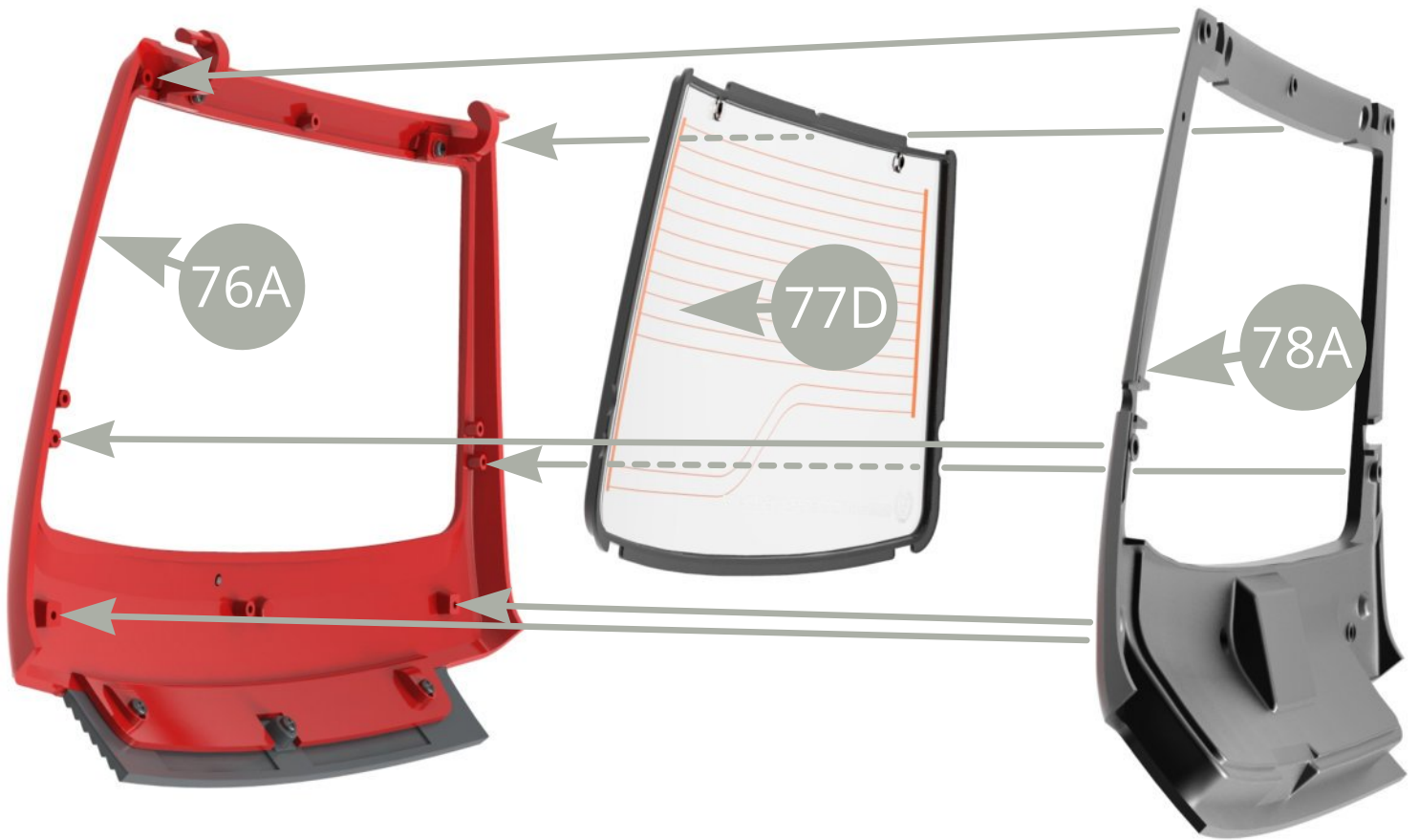


78A Tailgate inner panel

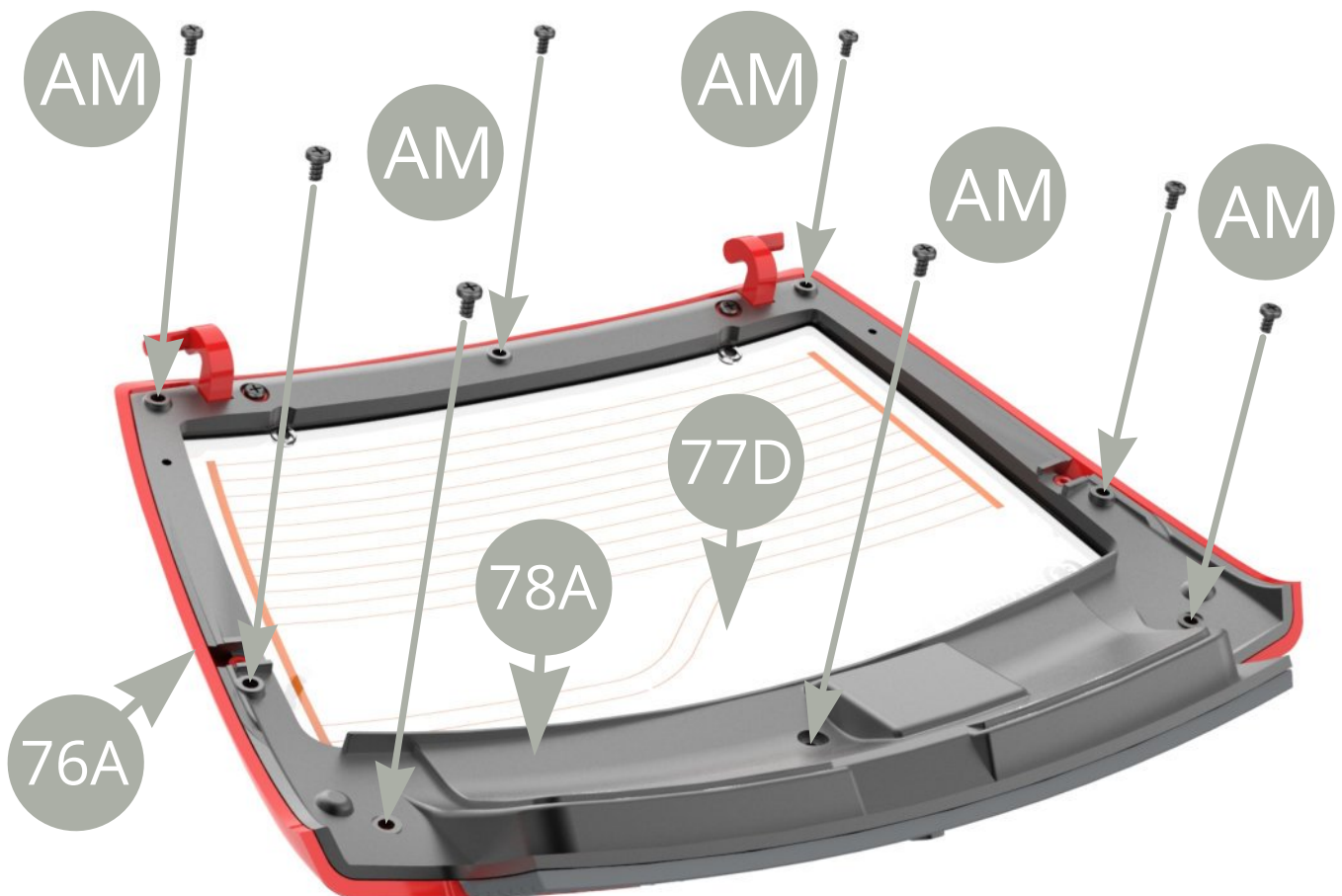
78B Rear wiper arm

78C Rear wiper blade

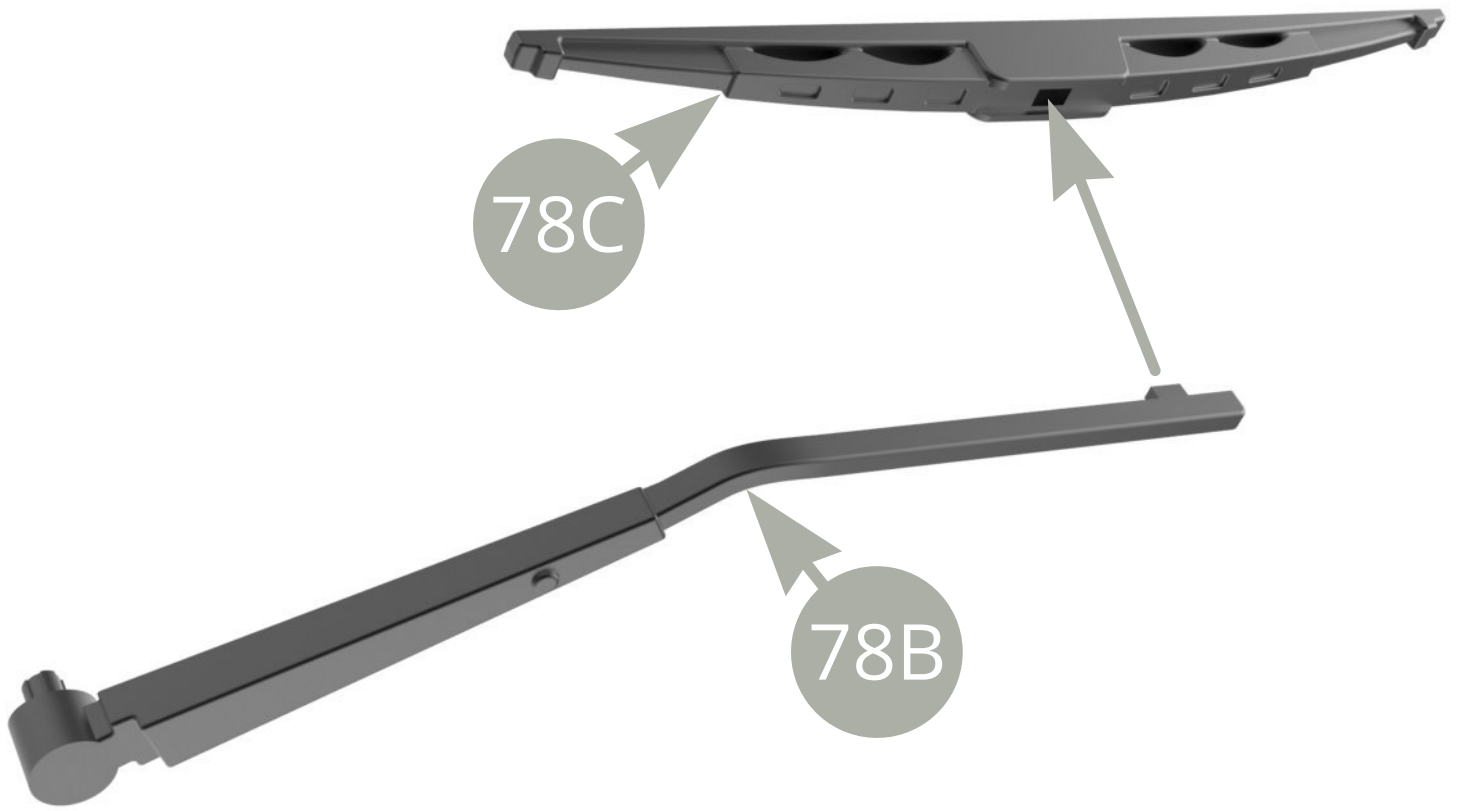
AM M1,7 x3mm ( x10 )



Fit **78A Tailgate inner panel** to **76A Tailgate** frame with **77D Tailgate glass** in between .



Fix **78A Tailgate inner panel** to **76A Tailgate** with eight **AM screws** .



**Fit 78C Rear wiper blade to 78B Rear wiper arm .**



**Fit 78B Rear wiper arm to 76A Tailgate .**



**78B Rear wiper arm** is attached to **76A Tailgate** .

Final views .



# Assembly drawing .

