

66A Air intake grille

66B Left Wiper arm (marked L)

66C Left Wiper (marked L)

66D Right Wiper arm (marked R)

66E Right wiper (marked R)

66F Saloon light switch cable D

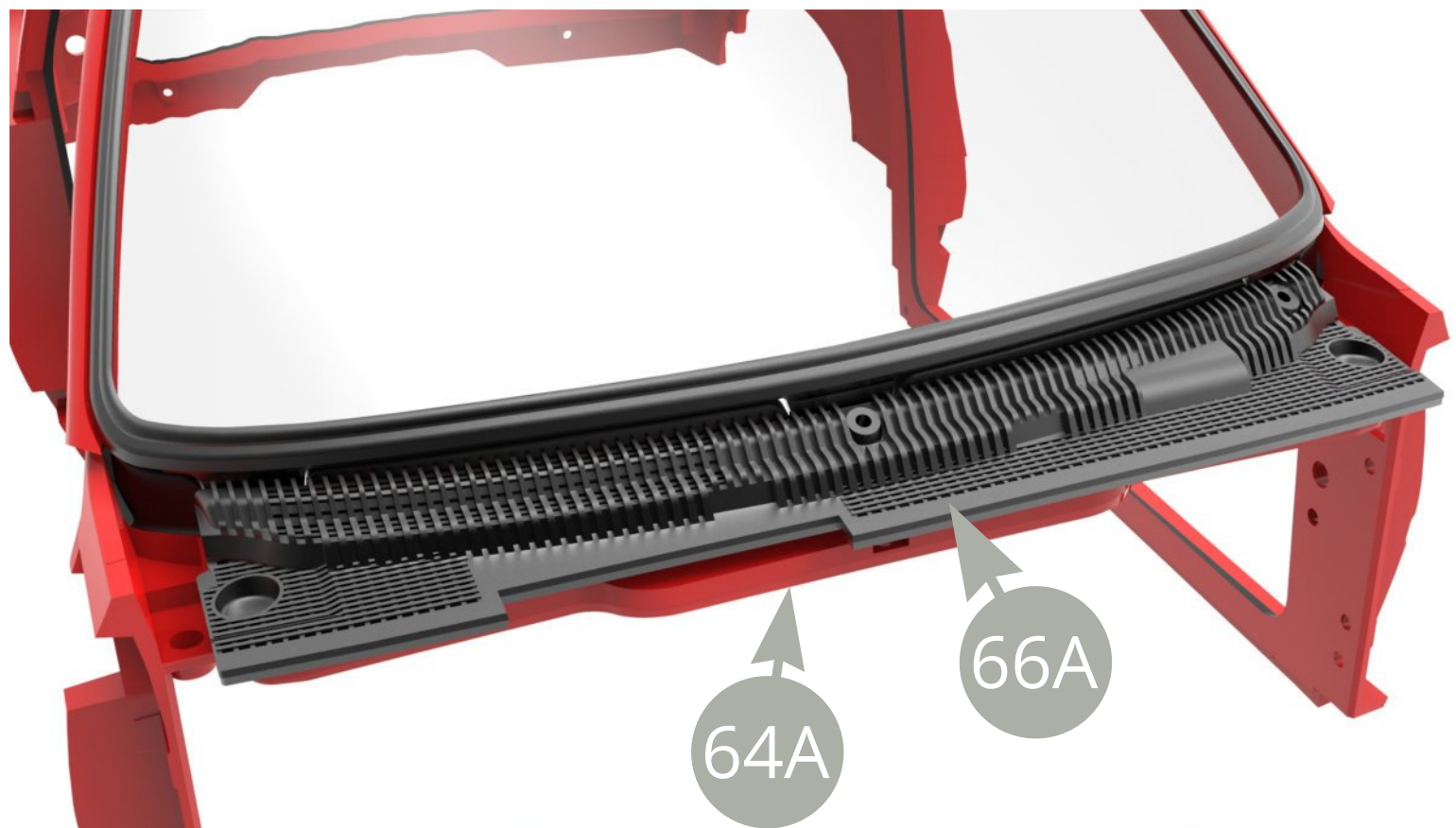
66G Saloon light switch cable E

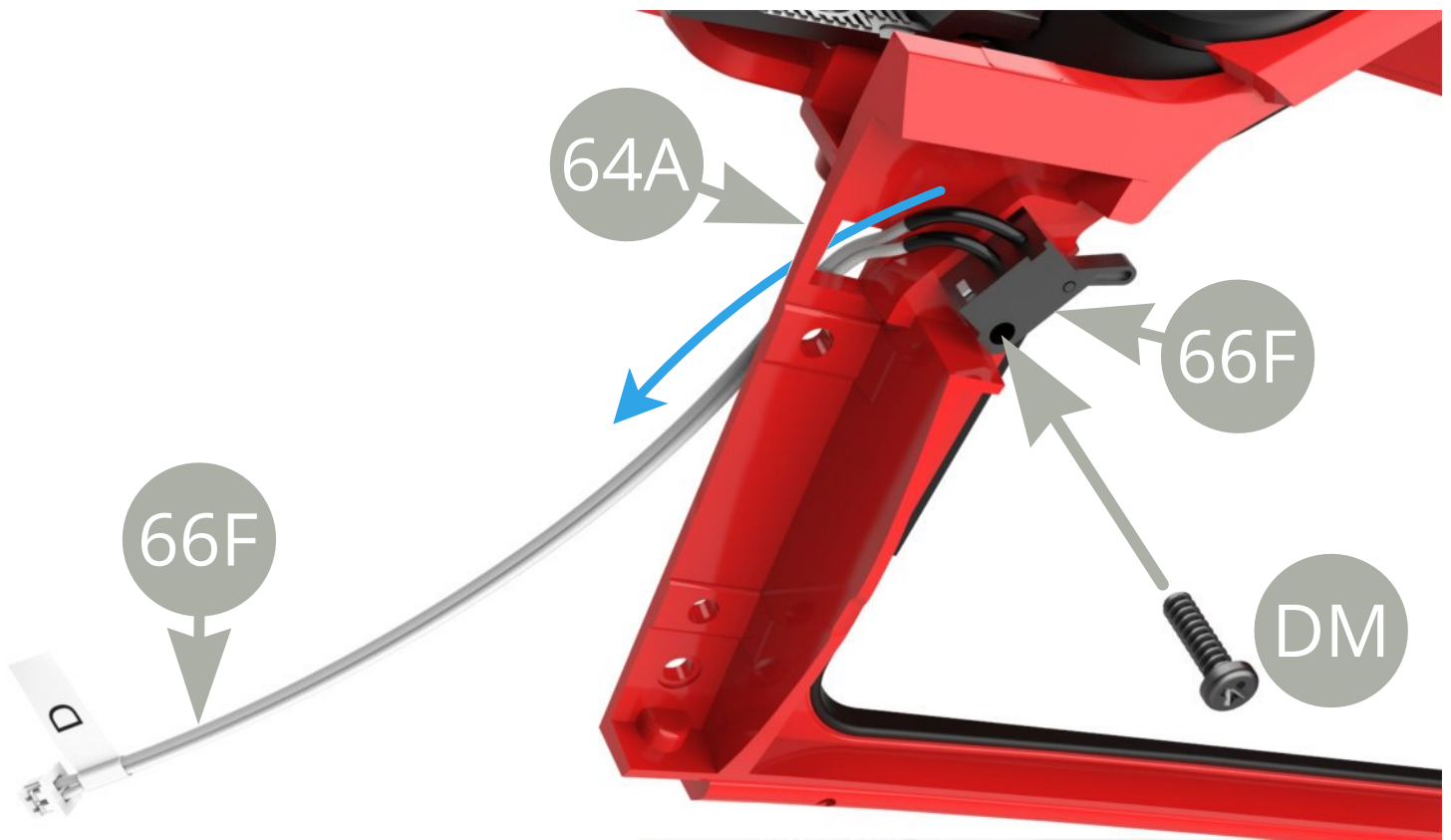
DM M2,0 x7mm (x3)

KP M2,0 x4mm (x3)

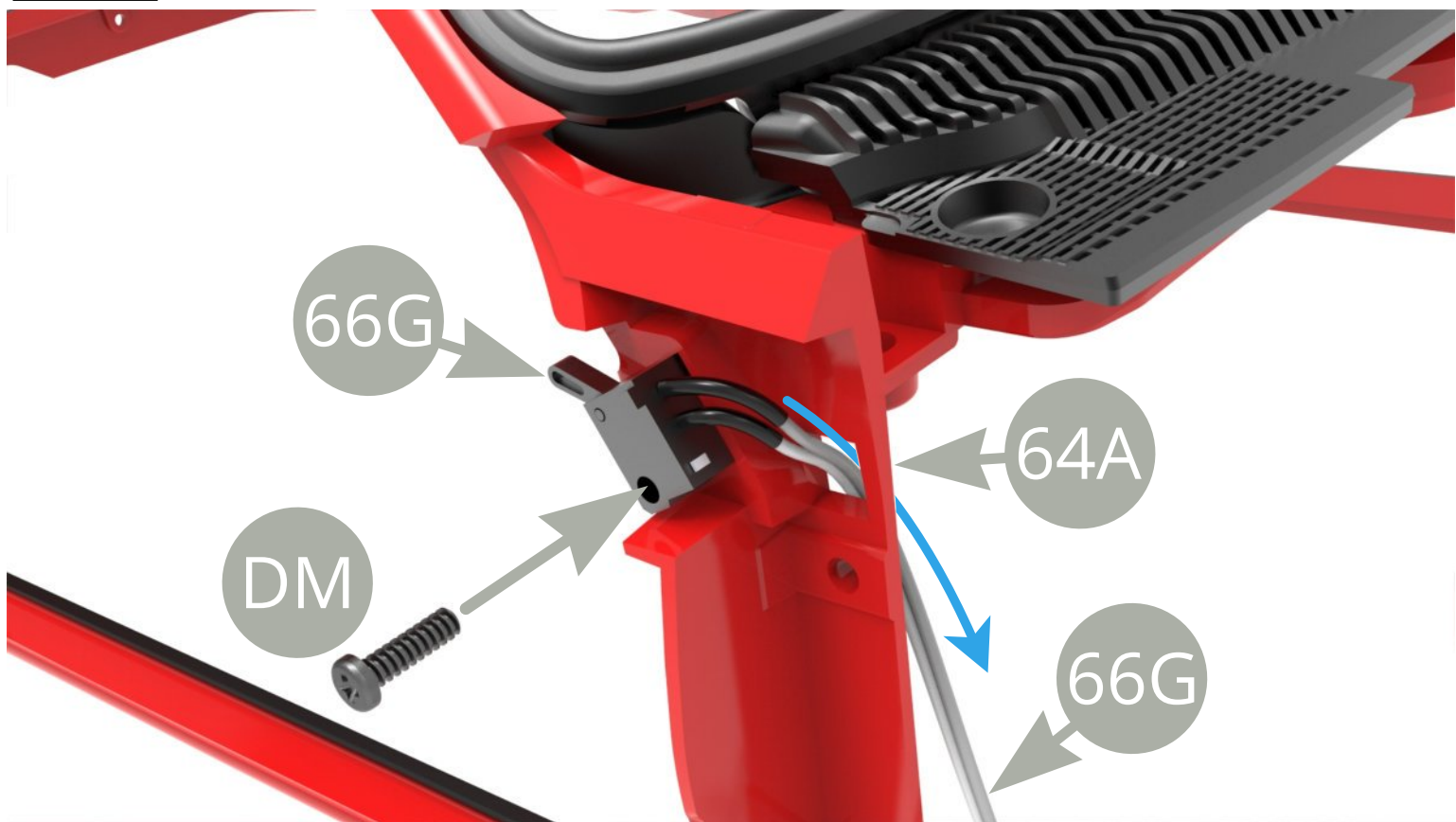


Fit **Air intake grille 66A** to **64A Body frame** and fix with two **KP screws** (upper and lower illustrations).

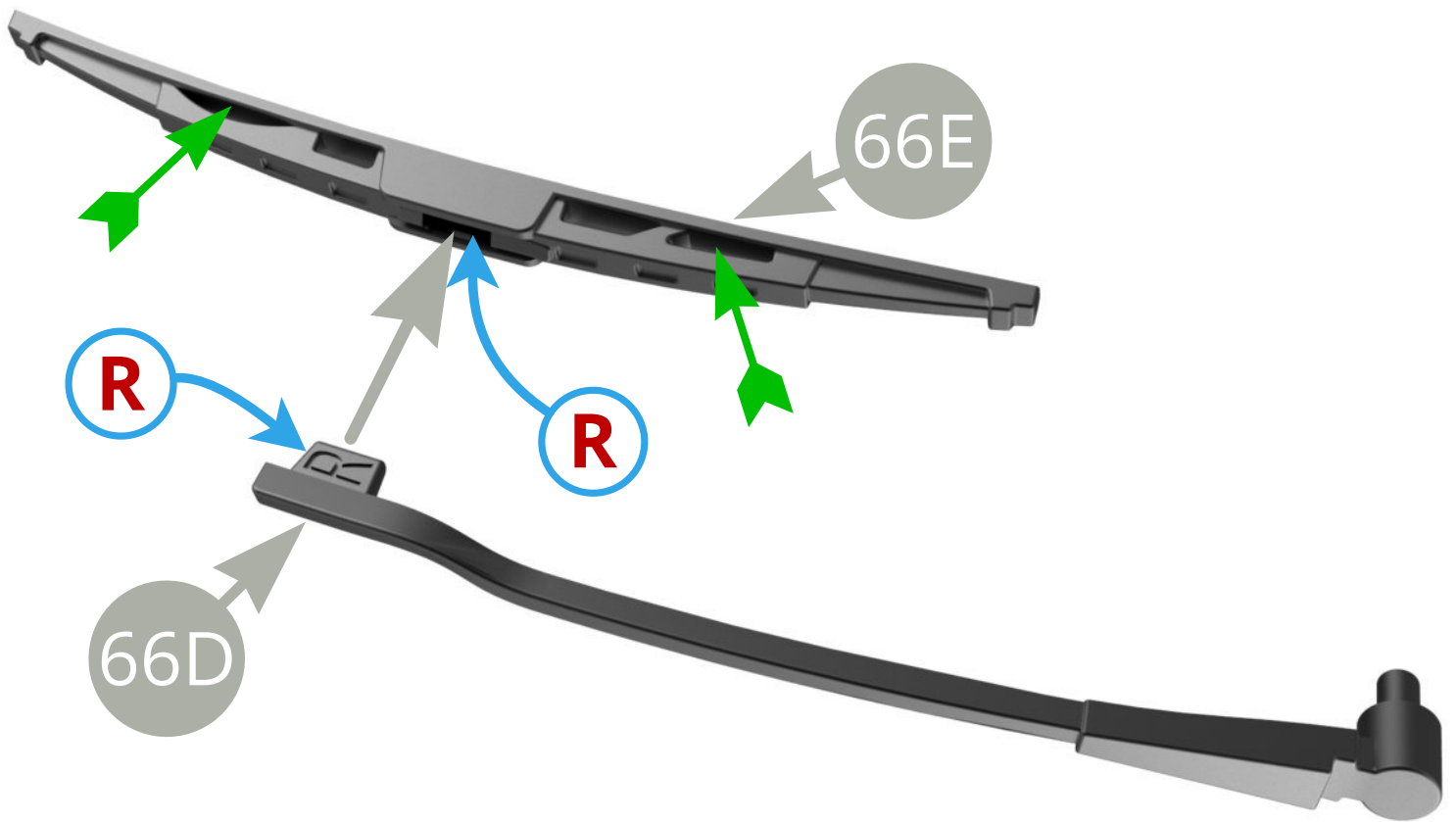




Fit **66F Saloon light switch cable D** through square opening on the **left side** of **64A Body frame** (**blue arrow**) and fix the switch with **DM screw** .



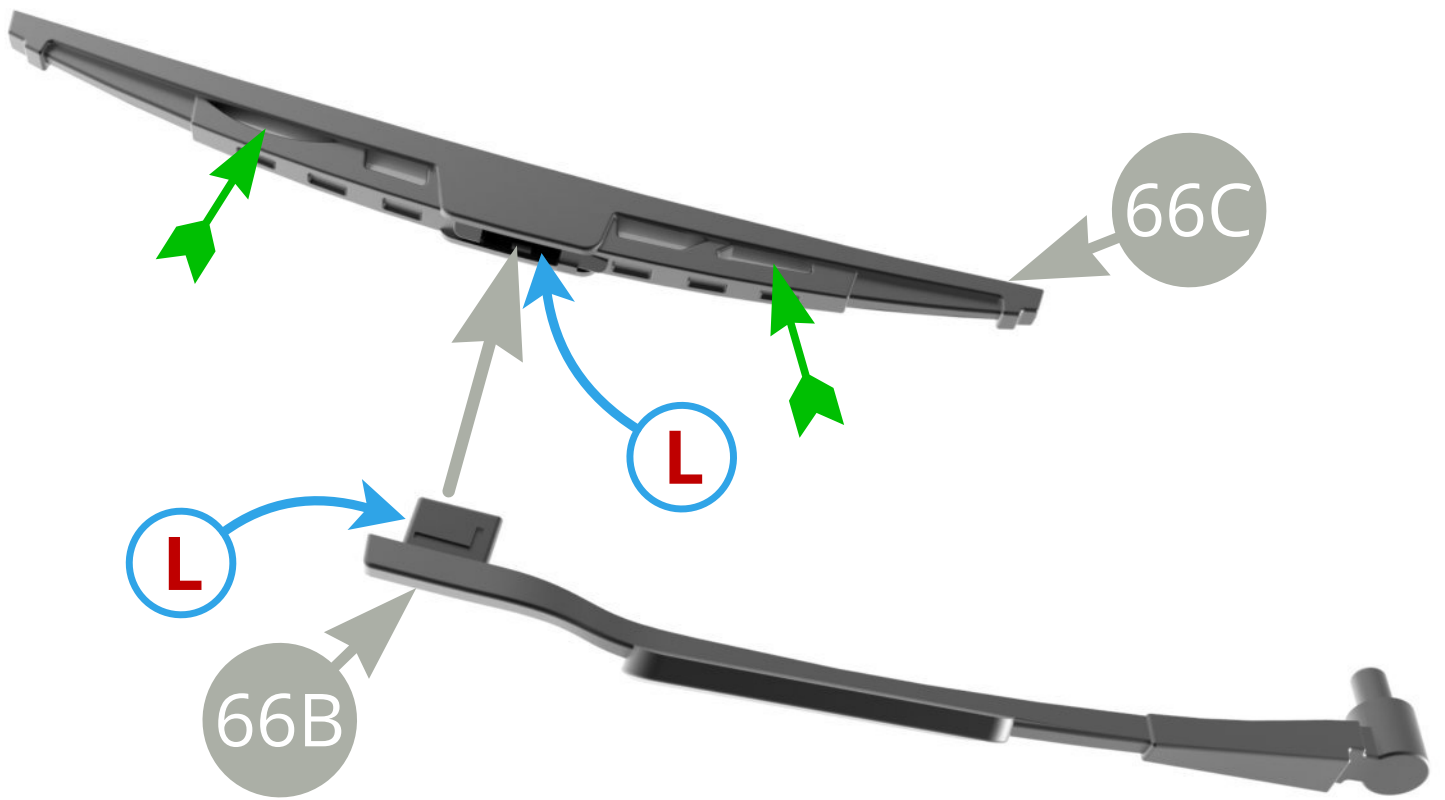
Fit **66G Saloon light switch cable E** through square opening on the **right side** of **64A Body frame** (**blue arrow**) and fix the switch with **DM screw** .



Fit **66D Right Wiper arm** (**note marking R**) to **66E Right Wiper** (**note marking R inside connection slot**).



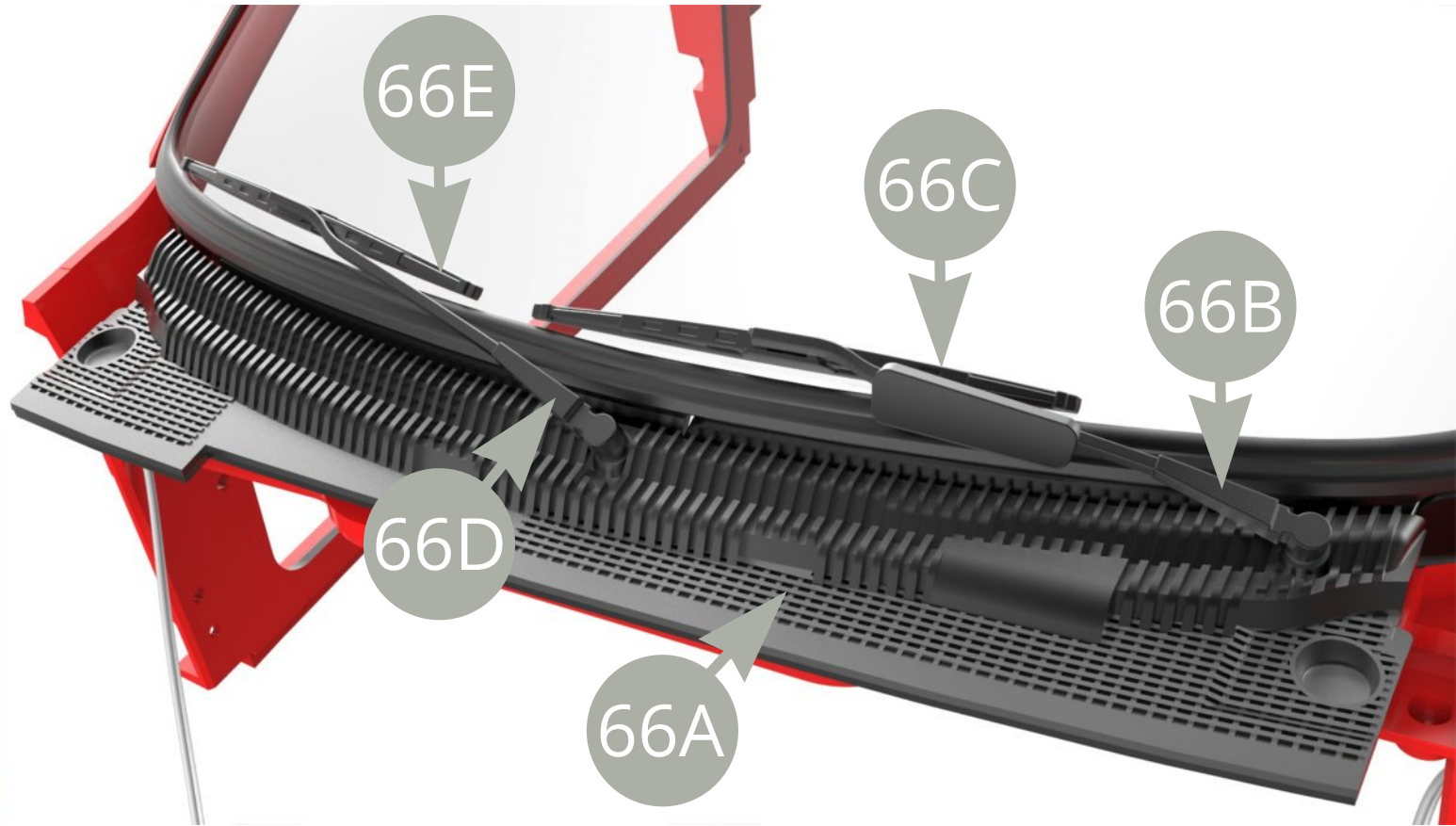
Fit **66D Right Wiper arm** to **66A Air intake grille** socket .



Fit **66B Left Wiper arm** (**note marking L**) to **66C Left Wiper** (**note marking R inside connection slot**) .



Fit **66B Right Wiper arm** to **66A Air intake grille socket** .



66D+66E Right and **66B+66C Left Windscreen Wipers** are installed on **66A Air intake grille** .

Final views .



Assembly drawing .

